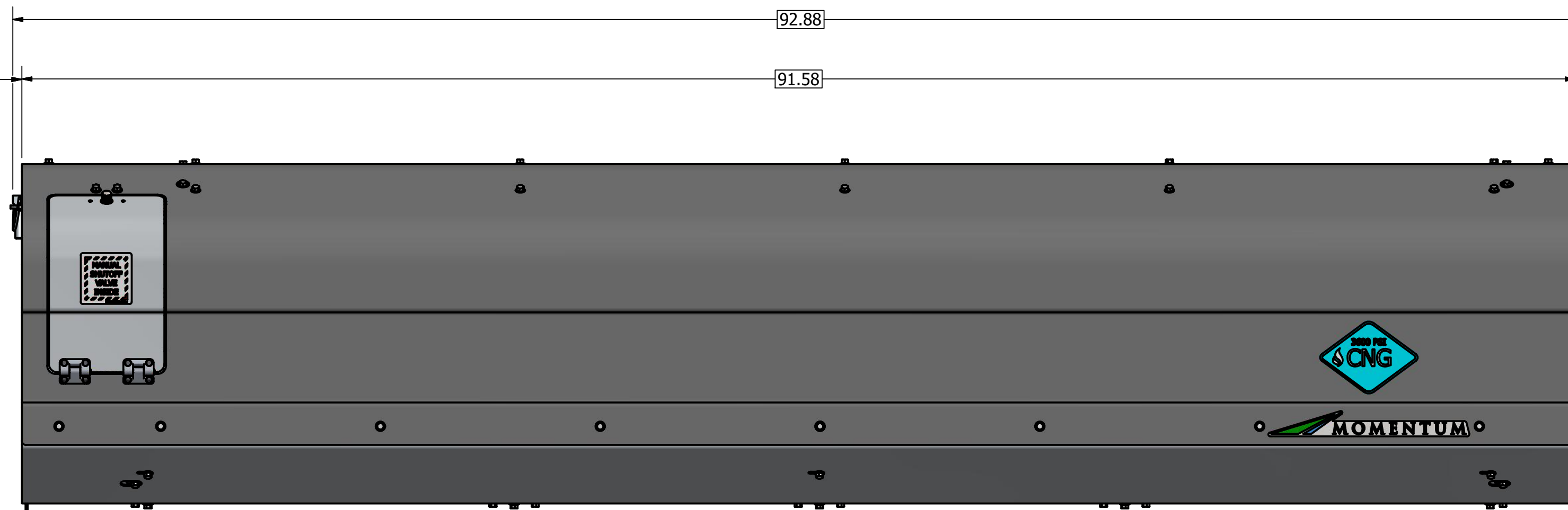


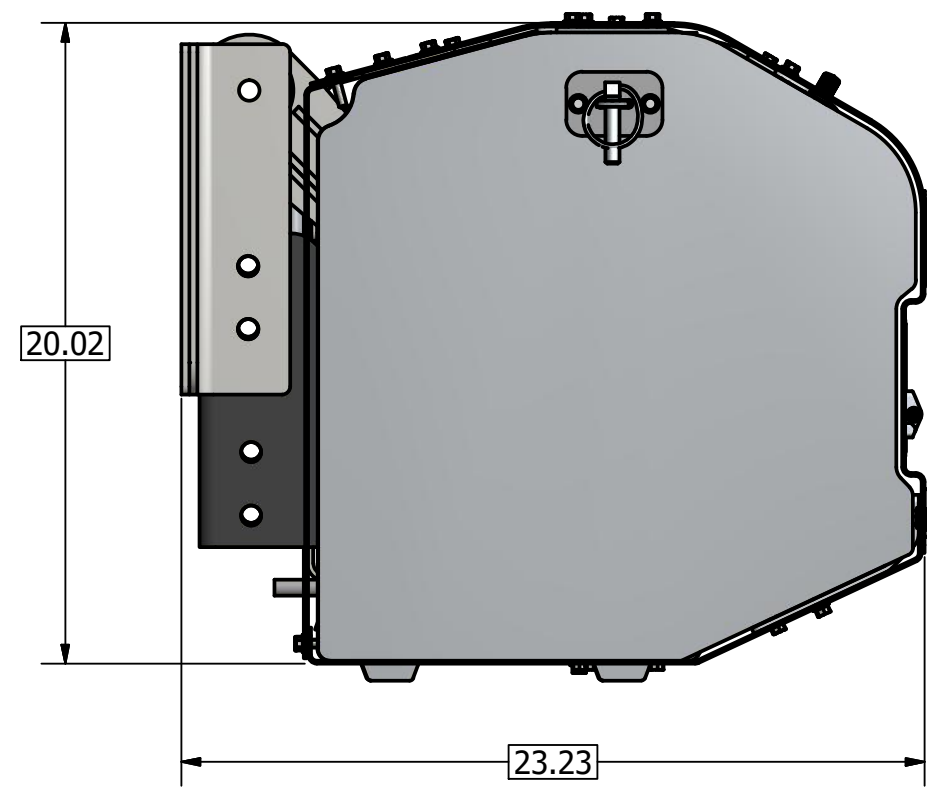
TOP VIEW
SCALE 1 / 6



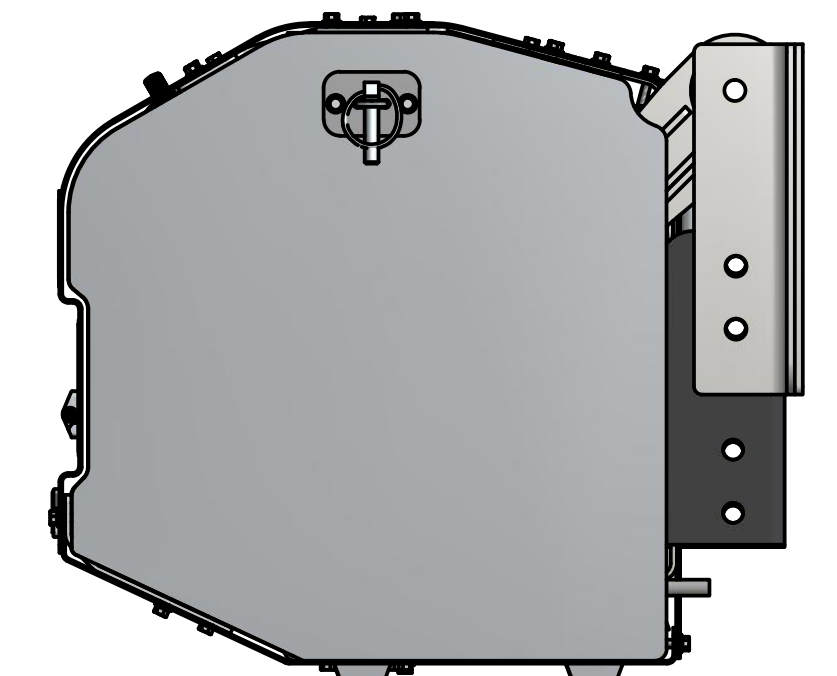
SIDE VIEW
SCALE 1 / 6

6" CLEARANCE THIS END
FOR SERVICE/ACCESS TO
TANK SHUT OFF VALVE

2" CLEARANCE THIS
END FOR SERVICE



VALVE END
SCALE 1 / 6



FLOATING END
SCALE 1 / 6

CONFIDENTIAL AND TRADE SECRET INFORMATION OF RUSH ENTERPRISES, INC.

This document and the information in it is confidential, proprietary and trade secret information of Rush Enterprises, Inc. and its subsidiaries ("Rush"). It contains information intended only for the person to whom it is transmitted and may not be disclosed to any third party, in whole or in part, or used to manufacture anything shown or referred to herein, without Rush's express, written permission. This document must be returned to Rush on request.

Any form of reproduction, dissemination, copying, disclosure, modification, distribution and or publication of this document and the information contained herein is strictly prohibited.

This notice must appear on any complete or partial reproduction of this document or the information contained herein.

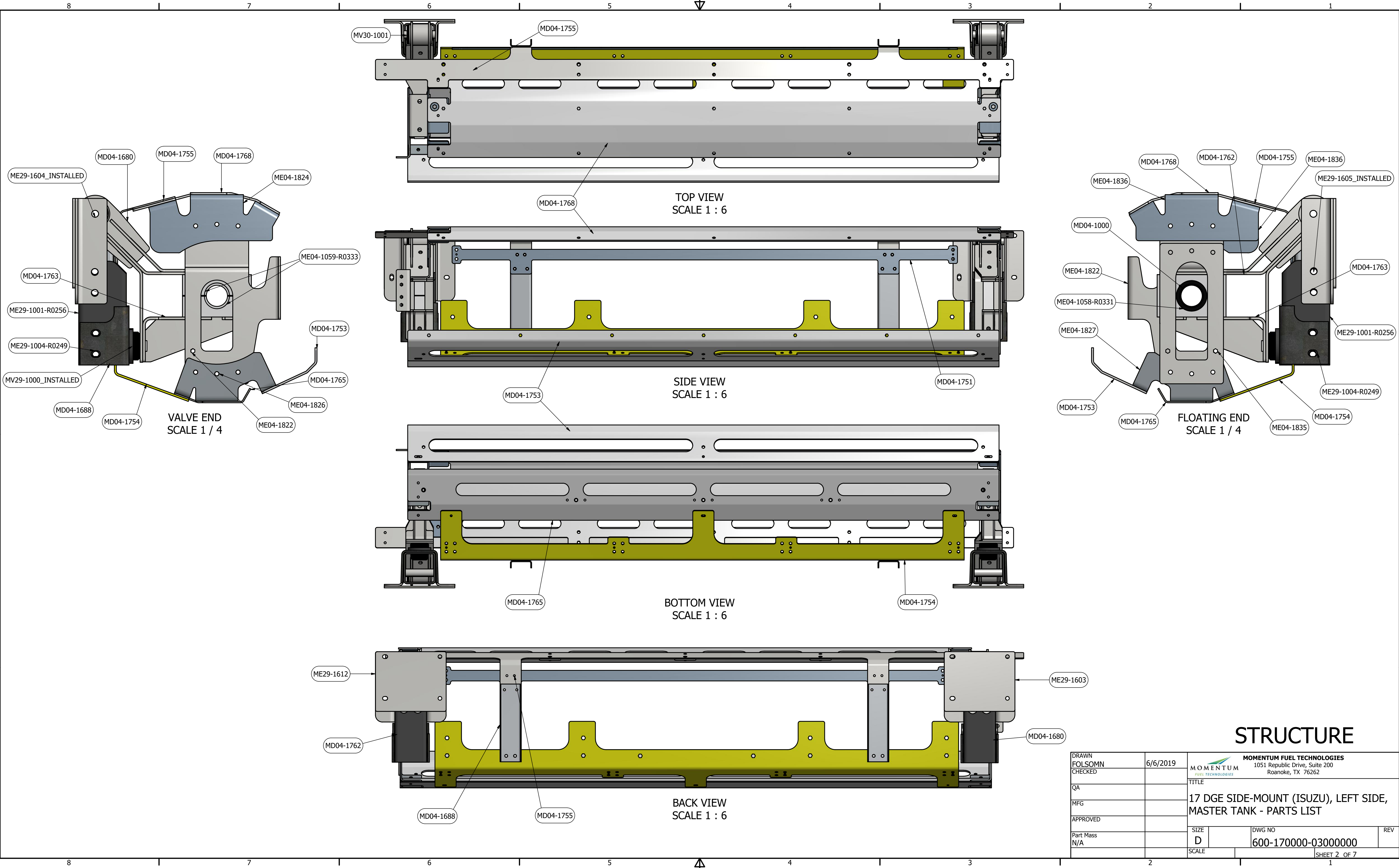
Copyright © 2016 Rush Enterprises, Inc. All rights reserved.

ALL DIMENSION TOLERANCES UNLESS NOTED
 ONE PLACE .X ±.06
 TWO PLACES .XX ±.03
 THREE PLACES .XXX ±.010
 FOUR PLACES .XXXX ±.0010
 ANGLES ±1.0°
 ALL MACHINED SURFACES TO BE 250 RMS UNLESS NOTED.

I

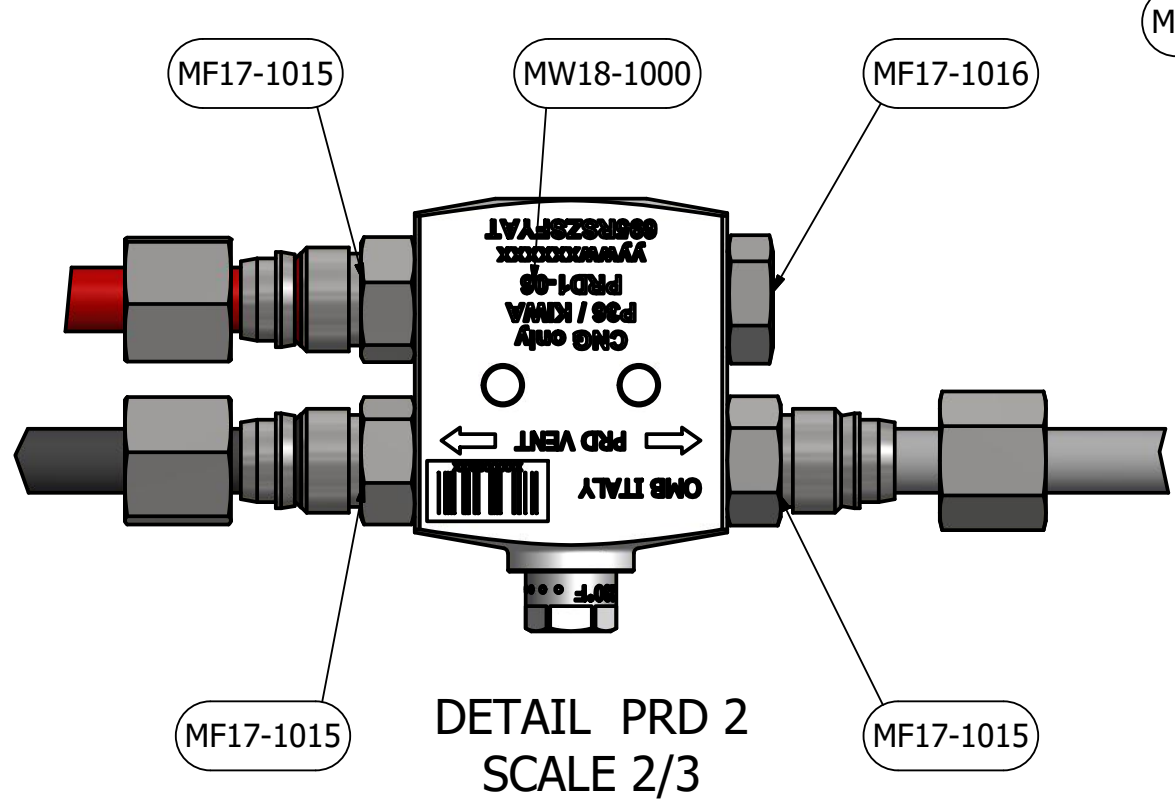
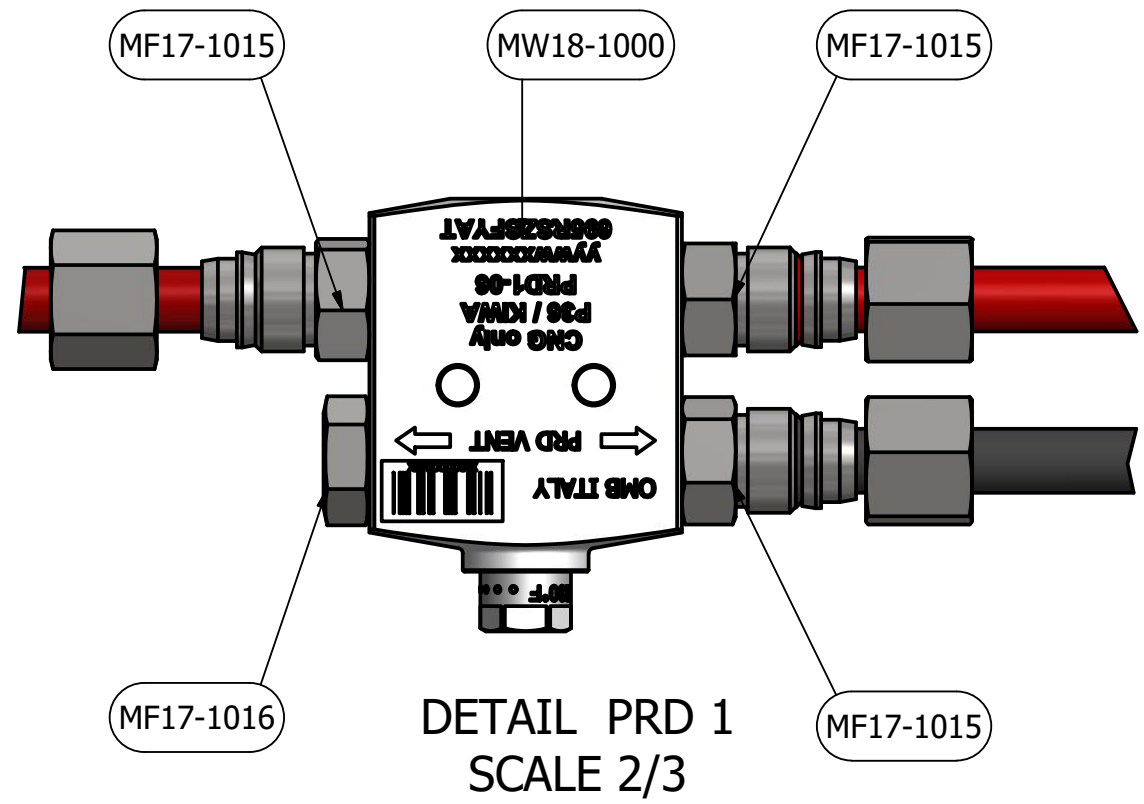
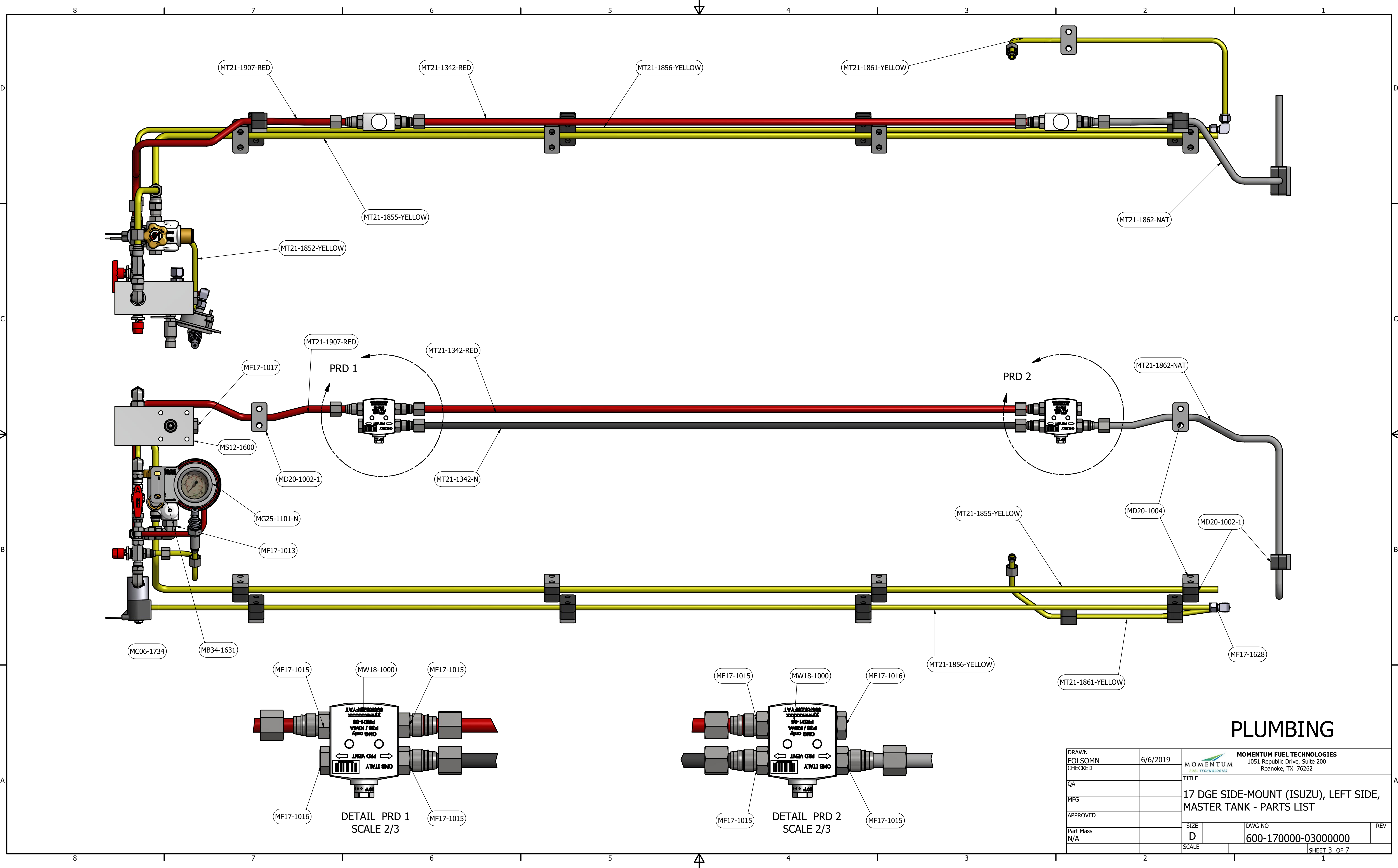
DO NOT SCALE THIS PRINT

DRAWN FOLSOMN	6/6/2019	MOMENTUM FUEL TECHNOLOGIES 1051 Republic Drive, Suite 200 Roanoke, TX 76262	
CHECKED		TITLE	
QA		17 DGE SIDE-MOUNT (ISUZU), LEFT SIDE, MASTER TANK - PARTS LIST	
MFG		SIZE	DWG NO
APPROVED		D	600-170000-03000000
Part Mass N/A		SCALE	REV
			1 OF 7



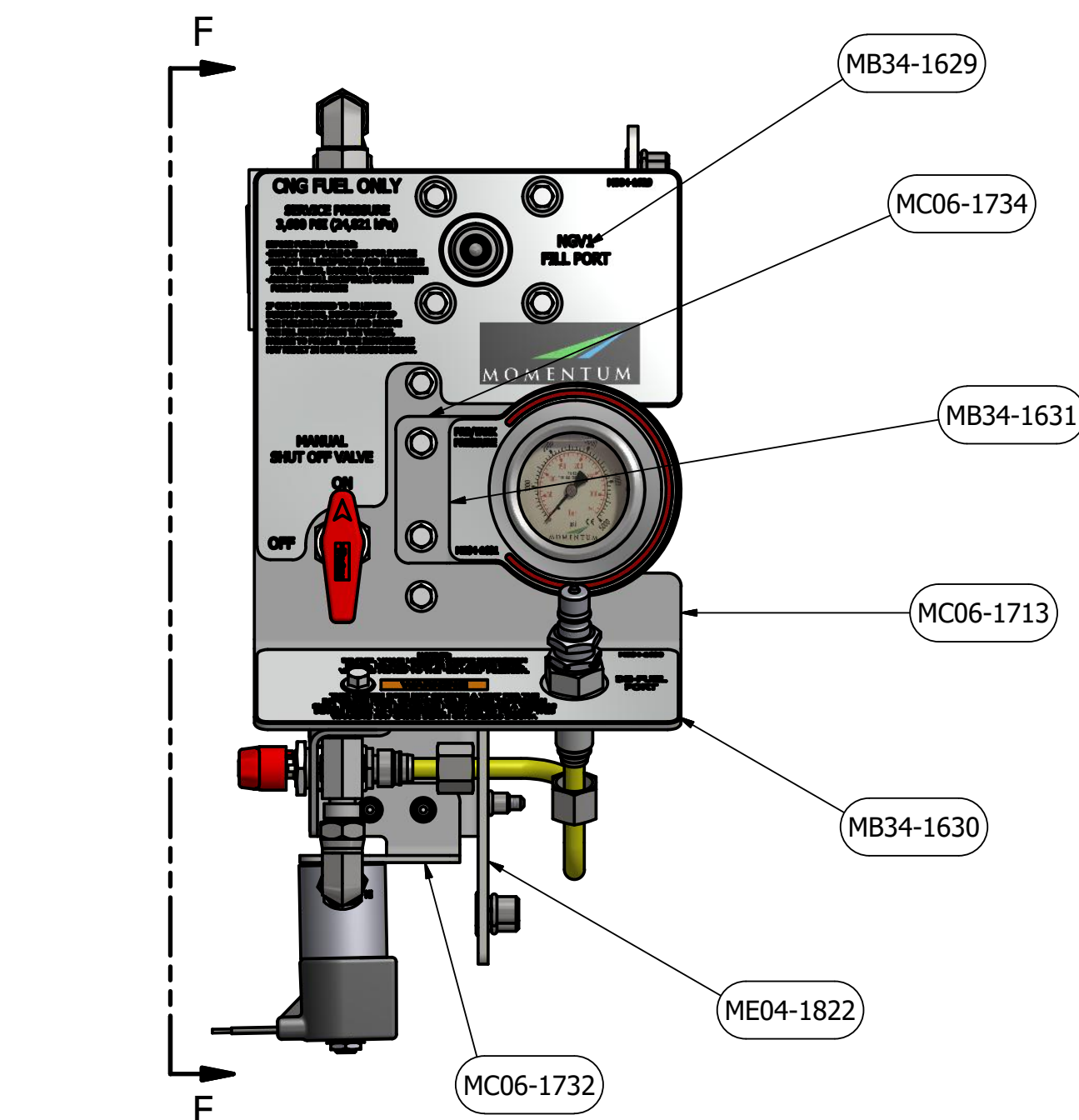
STRUCTURE

DRAWN	FOLSOMN	6/6/2019	MOMENTUM FUEL TECHNOLOGIES 1051 Republic Drive, Suite 200 Roanoke, TX 76262	
CHECKED			TITLE	
QA			17 DGE SIDE-MOUNT (ISUZU), LEFT SIDE, MASTER TANK - PARTS LIST	
MFG			SIZE	DWG NO
APPROVED			D	600-170000-03000000
Part Mass	N/A		SCALE	REV

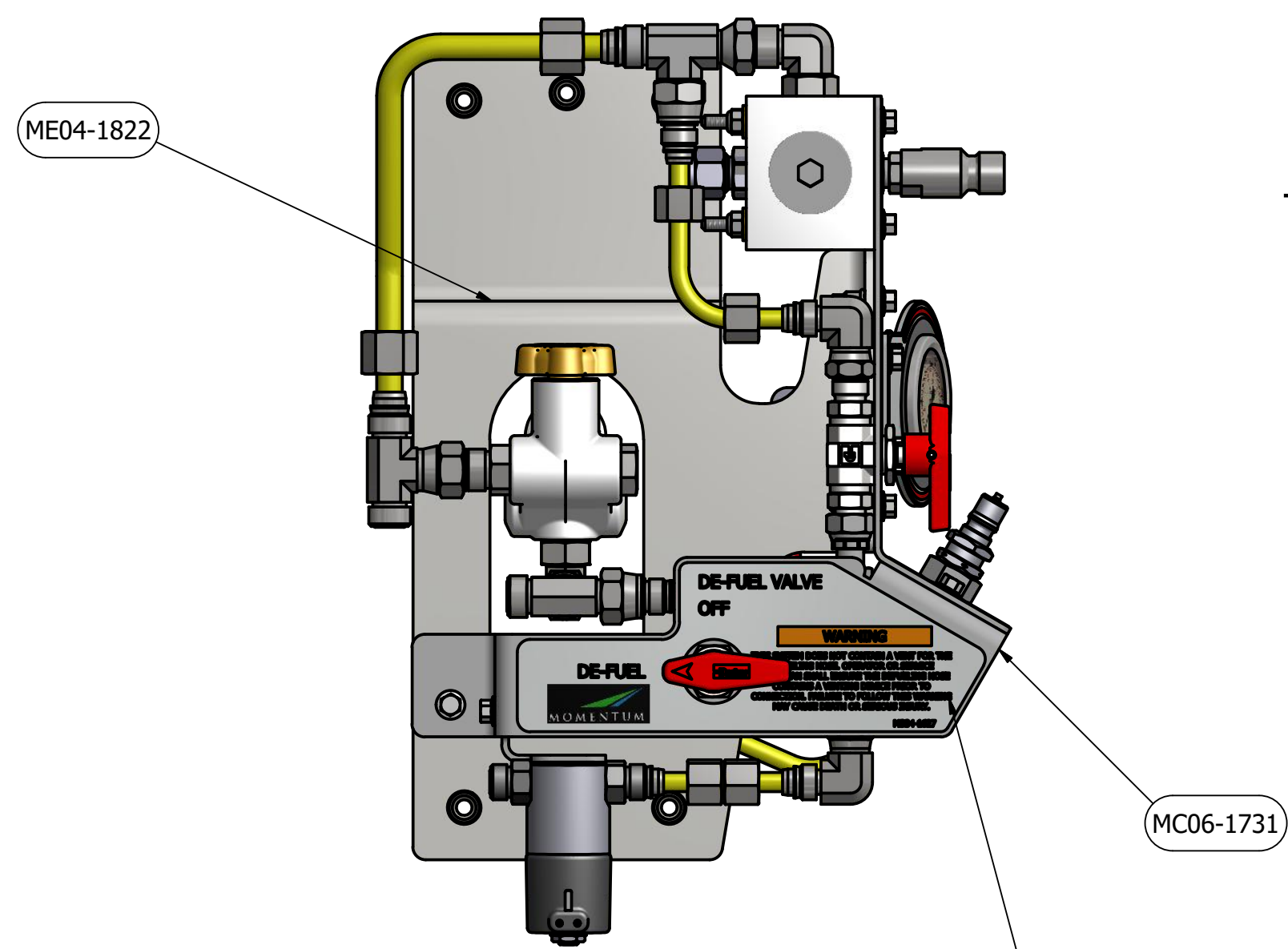


PLUMBING

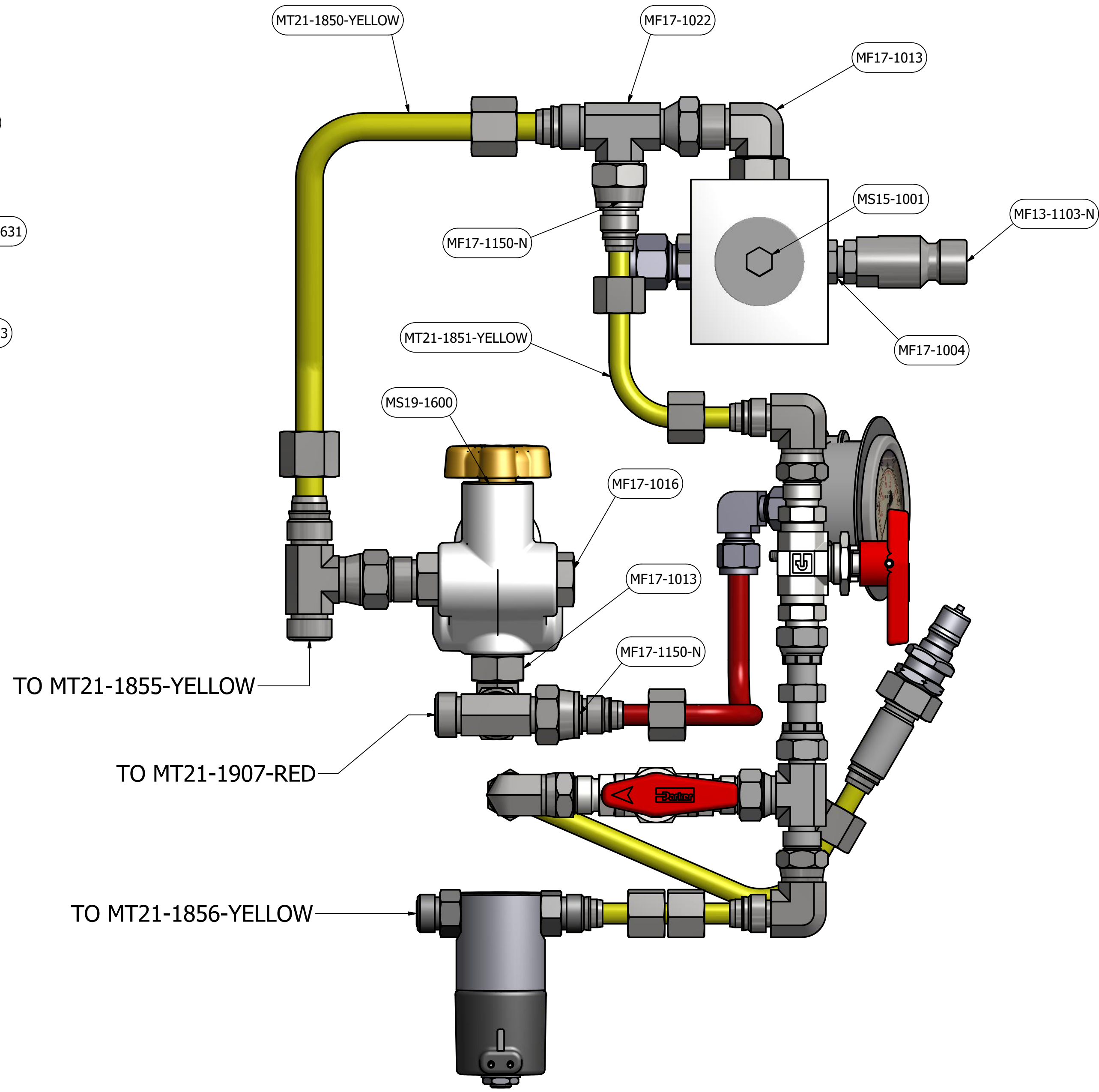
DRAWN	FOLSOMN	6/6/2019	MOMENTUM FUEL TECHNOLOGIES 1051 Republic Drive, Suite 200 Roanoke, TX 76262	
CHECKED			TITLE	
QA			17 DGE SIDE-MOUNT (ISUZU), LEFT SIDE, MASTER TANK - PARTS LIST	
MFG			SIZE	DWG NO
APPROVED			D	600-170000-03000000
Part Mass	N/A		SCALE	REV



FUEL ASSEMBLY DETAIL, FRONT, WITH BRACKETS
SCALE 1 / 3



VIEW F-F
SCALE 1 / 3



TO MT21-1855-YELLOW

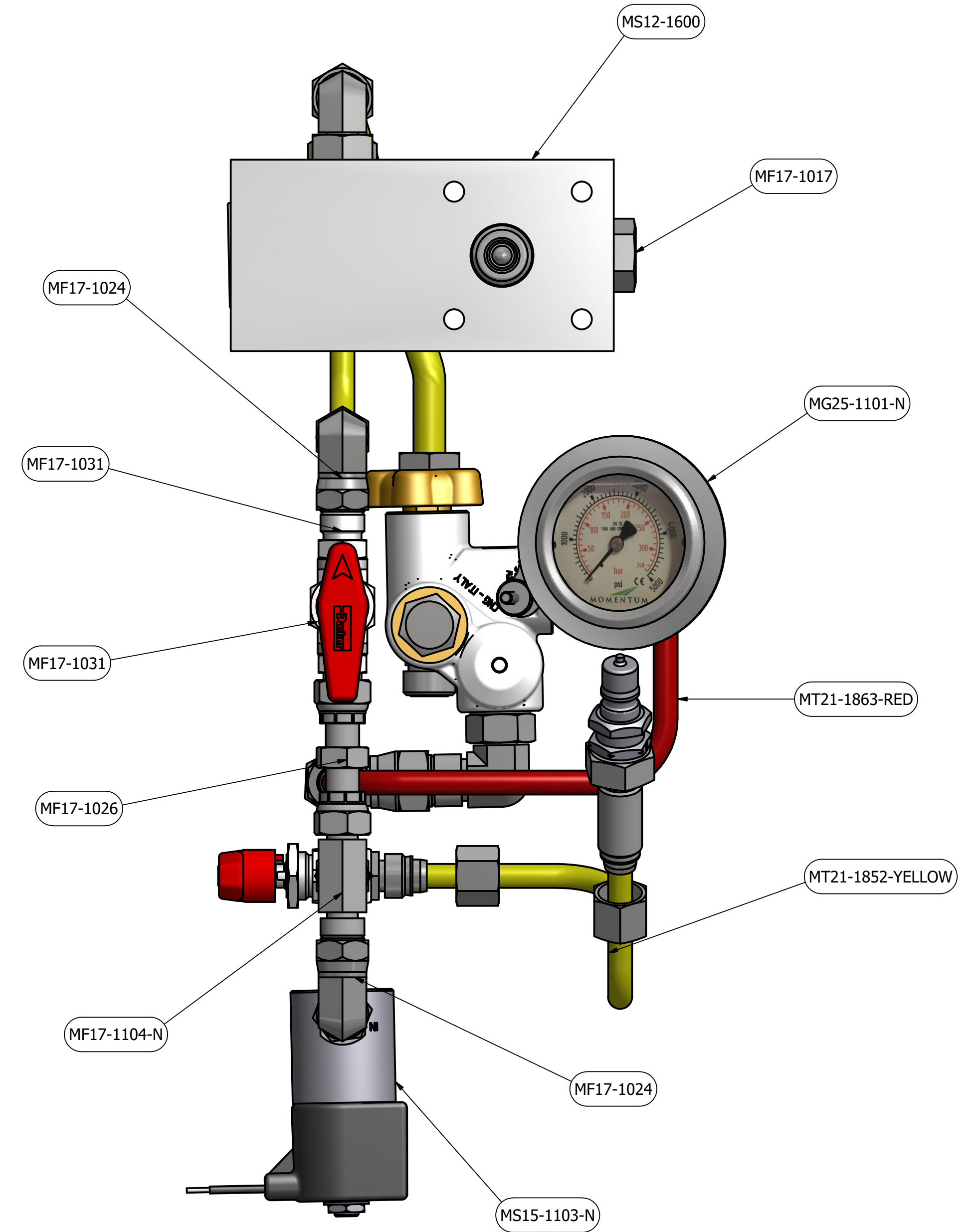
TO MT21-1907-RED

TO MT21-1856-YELLOW

FUEL ASSEMBLY DETAIL, SIDE, NO BRACKETS
SCALE 2/3

MT21-1855-YELLOW
MT21-1907-RED
MT21-1856- YELLOW

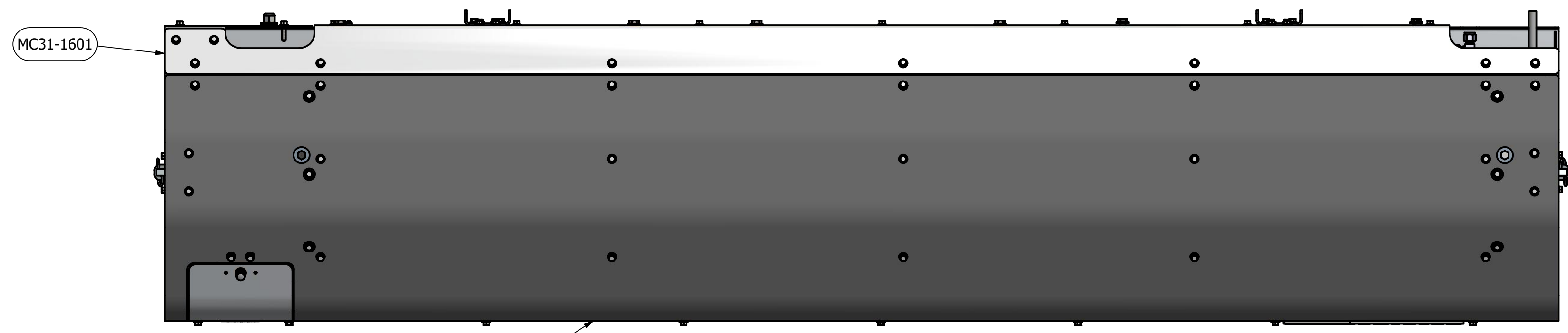
LOCATED ON SHEET 3 "PLUMBING"



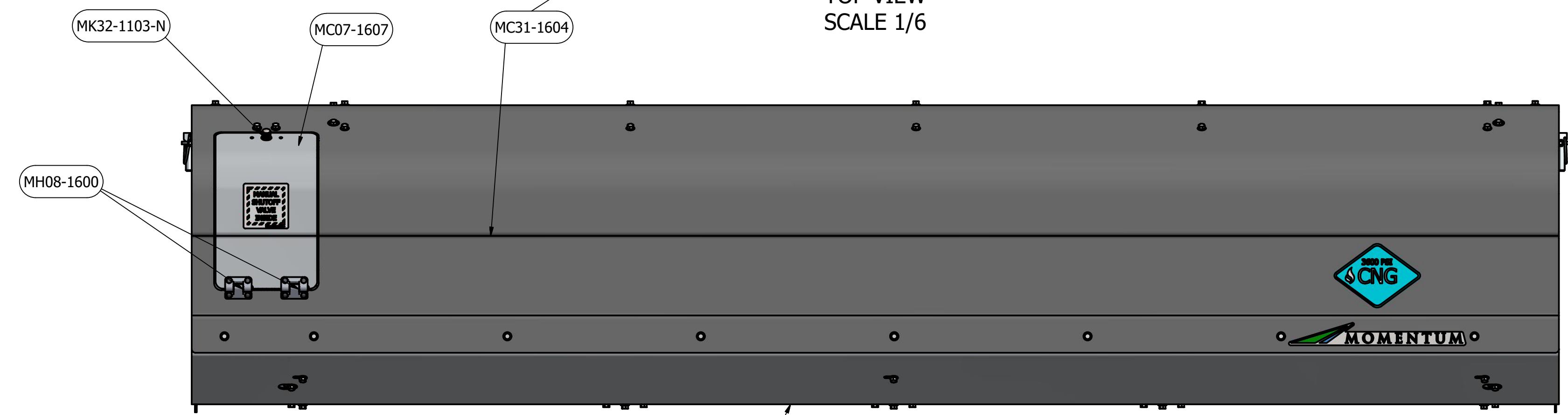
FUEL ASSEMBLY DETAIL, FRONT, NO BRACKETS
SCALE 2/3

PLUMBING DETAIL

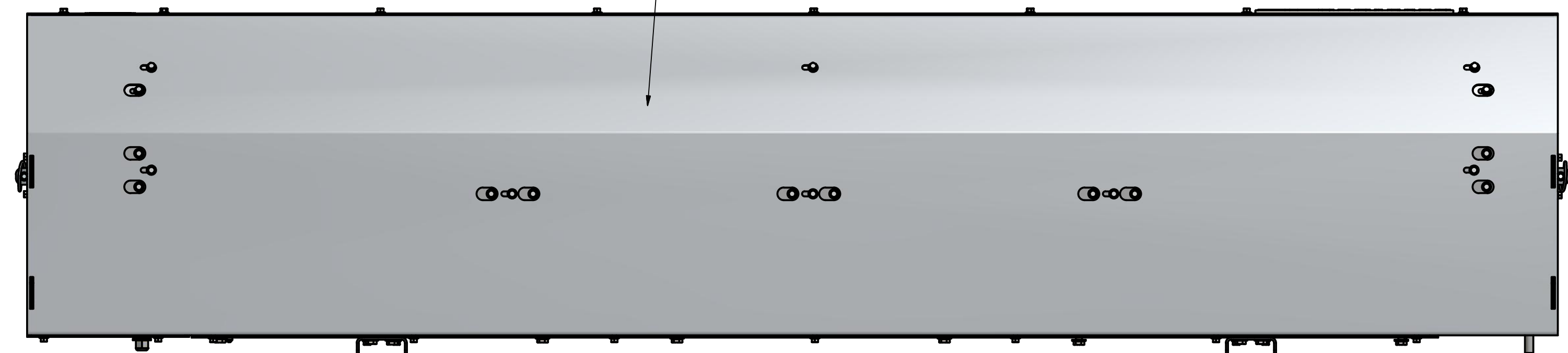
DRAWN FOLSOMN	6/6/2019	MOMENTUM FUEL TECHNOLOGIES 1051 Republic Drive, Suite 200 Roanoke, TX 76262	
CHECKED		TITLE 17 DGE SIDE-MOUNT (ISUZU), LEFT SIDE, MASTER TANK - PARTS LIST	
QA		SIZE D	DWG NO 600-170000-03000000
MFG		SCALE	REV
APPROVED			
Part Mass N/A			
			SHEET 4 OF 7



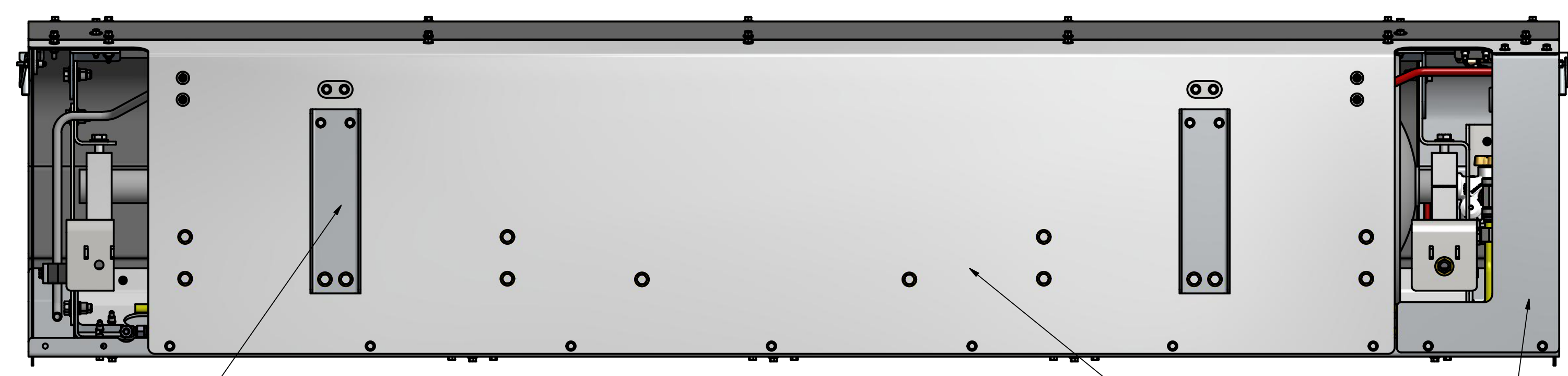
TOP VIEW
SCALE 1/6



SIDE VIEW
SCALE 1/6




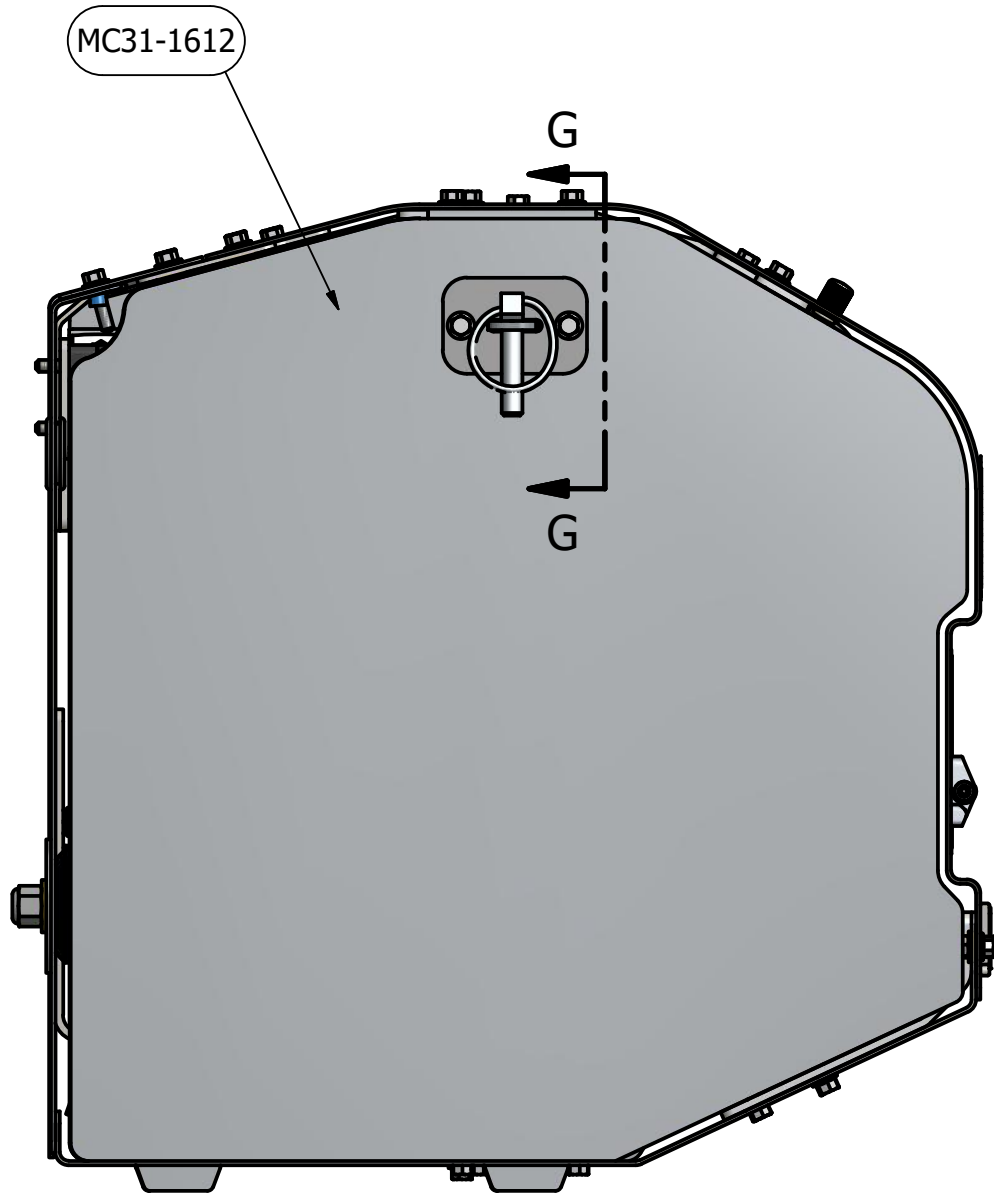
BOTTOM VIEW
SCALE 1/6



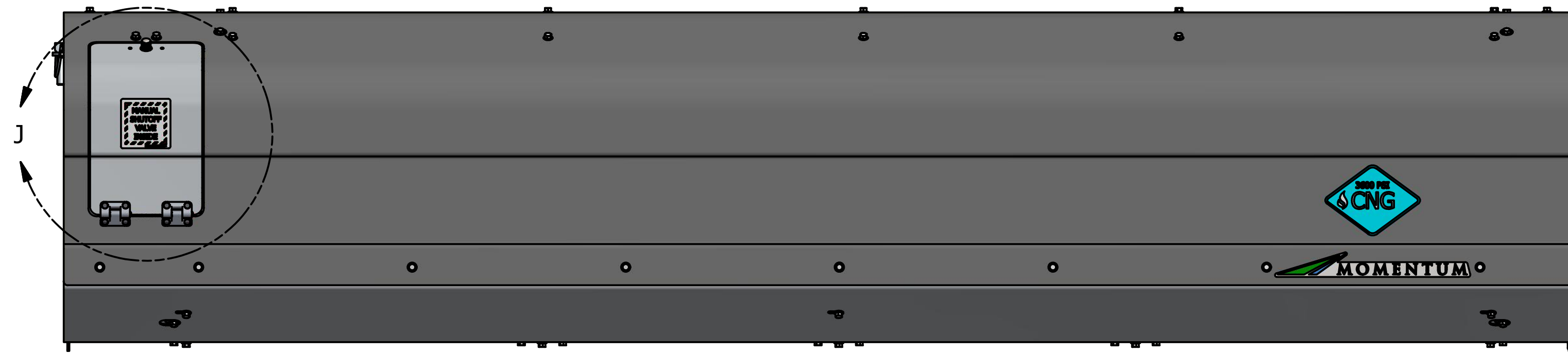
BACK VIEW
SCALE 1/6

COVERS/PANELS

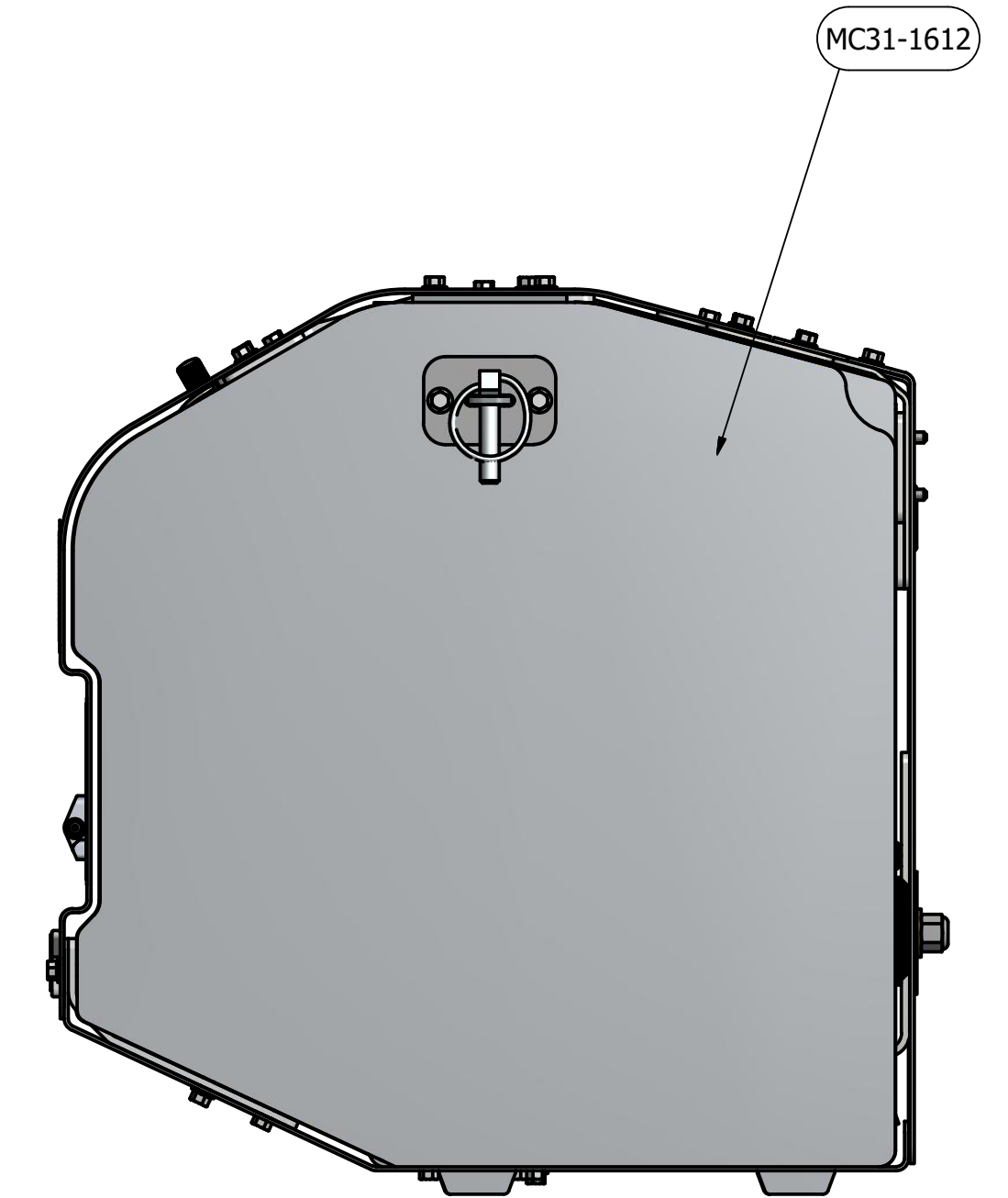
DRAWN FOLSOMN	6/6/2019	 MOMENTUM FUEL TECHNOLOGIES 1051 Republic Drive, Suite 200 Roanoke, TX 76262	
CHECKED		TITLE	
QA		17 DGE SIDE-MOUNT (ISUZU), LEFT SIDE, MASTER TANK - PARTS LIST	
MFG		SIZE	DWG NO
APPROVED		D	600-170000-03000000
Part Mass N/A		SCALE	REV
			1 OF 7



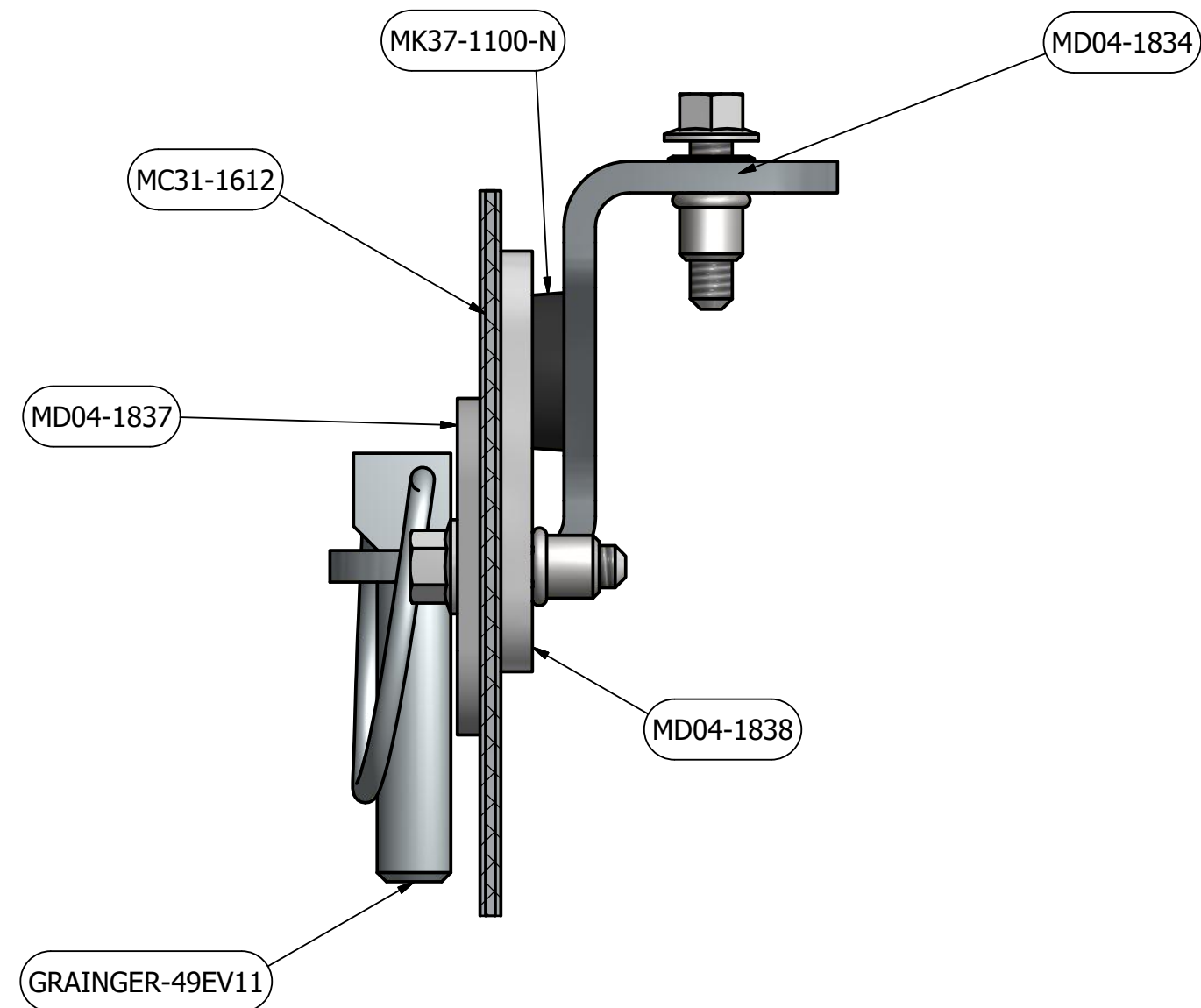
VALVE END
SCALE 1/4



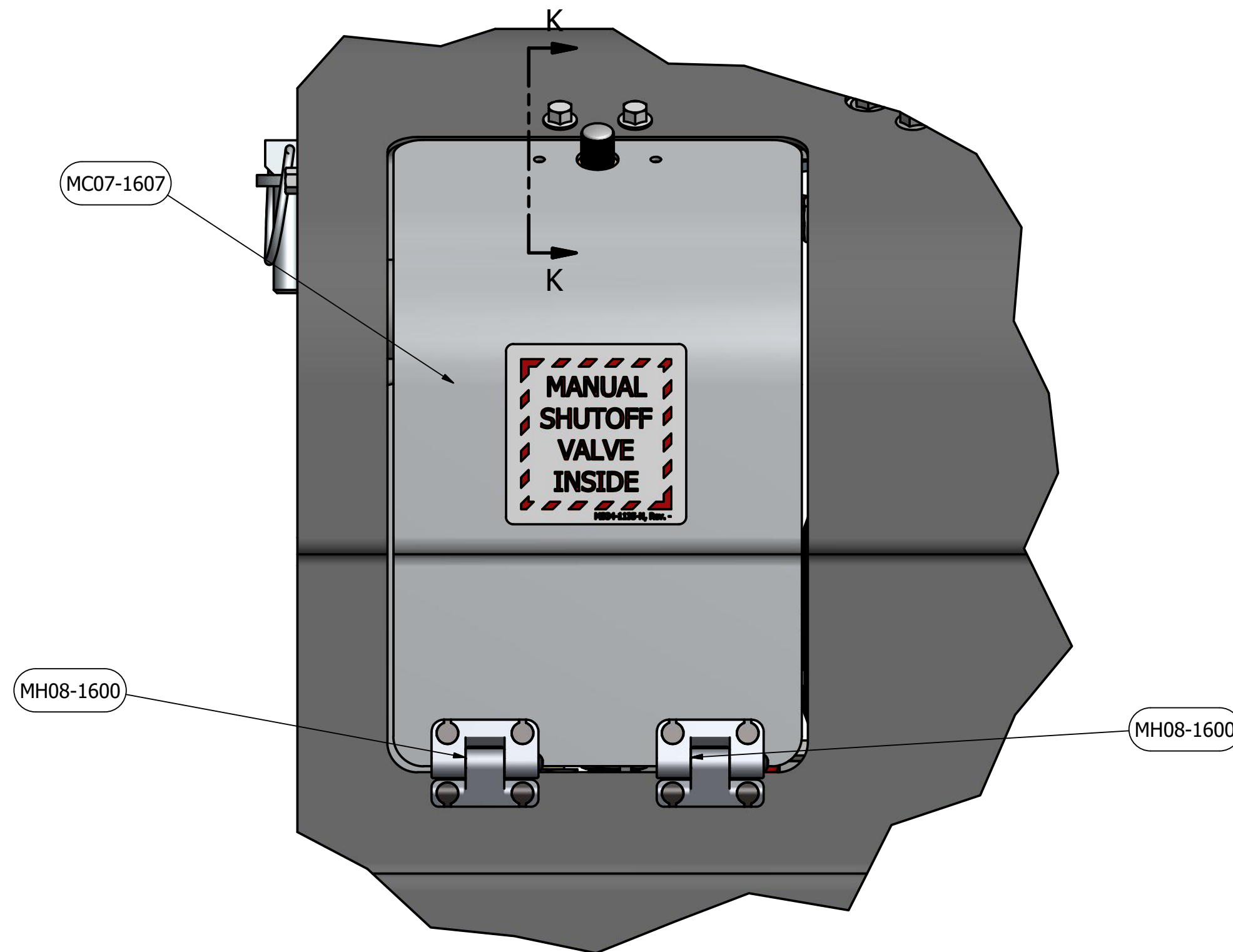
SIDE VIEW
SCALE 1/6



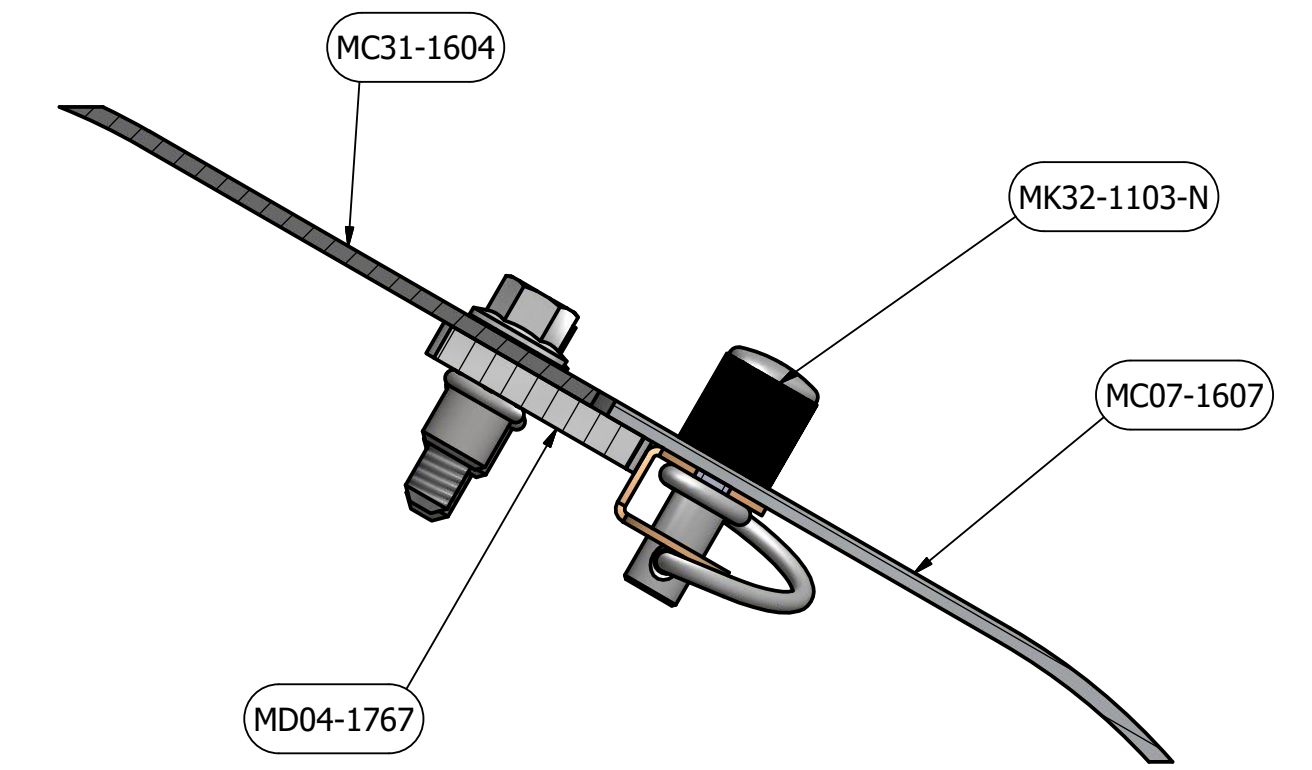
FLOATING END
SCALE 1/4



SECTION G-G
SCALE 1 : 1



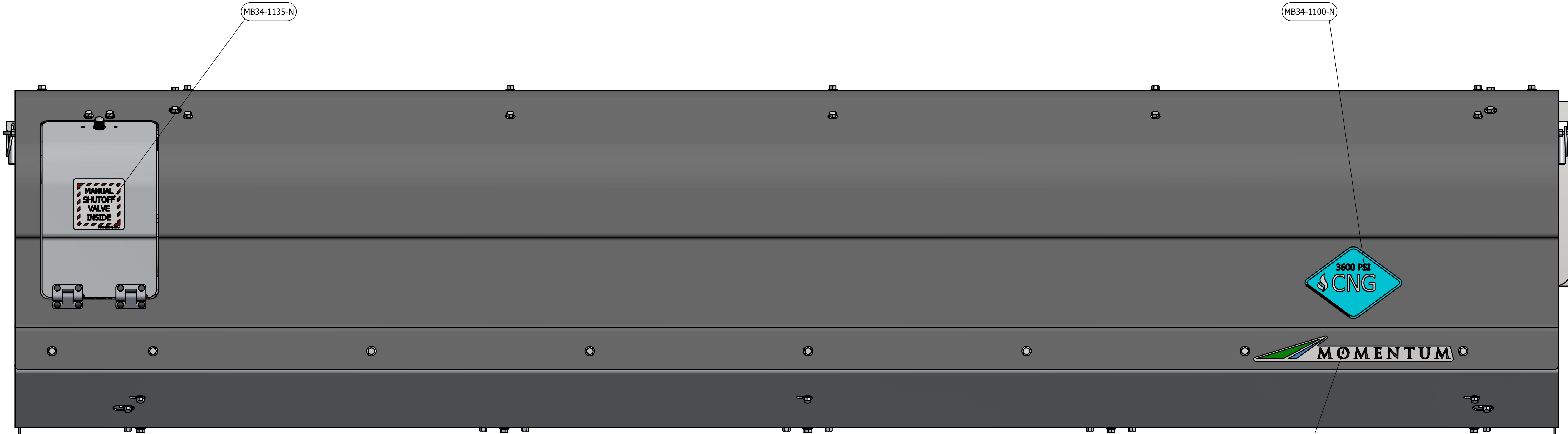
DETAIL J
SCALE 1 / 2



SECTION K-K
SCALE 1 : 1


COVERS/PANELS DETAIL

DRAWN FOLSOMN	6/6/2019	MOMENTUM FUEL TECHNOLOGIES 1051 Republic Drive, Suite 200 Roanoke, TX 76262	
CHECKED		TITLE	
QA		17 DGE SIDE-MOUNT (ISUZU), LEFT SIDE, MASTER TANK - PARTS LIST	
MFG		SIZE	DWG NO
APPROVED		D	600-170000-03000000
Part Mass N/A		SCALE	REV
			SHEET 6 OF 7



SIDE VIEW
SCALE 1/3

DECALS

DRAWN FOLSOMN	6/6/2019	 MOMENTUM FUEL TECHNOLOGIES 1051 Republic Drive, Suite 200 Roanoke, TX 76262		
CHECKED		TITLE		
QA		17 DGE SIDE-MOUNT (ISUZU), LEFT SIDE, MASTER TANK - PARTS LIST		
MFG				
APPROVED				
Part Mass N/A		SIZE D	DWG NO 600-170000-03000000	REV
		SCALE	SHEET 7 OF 7	