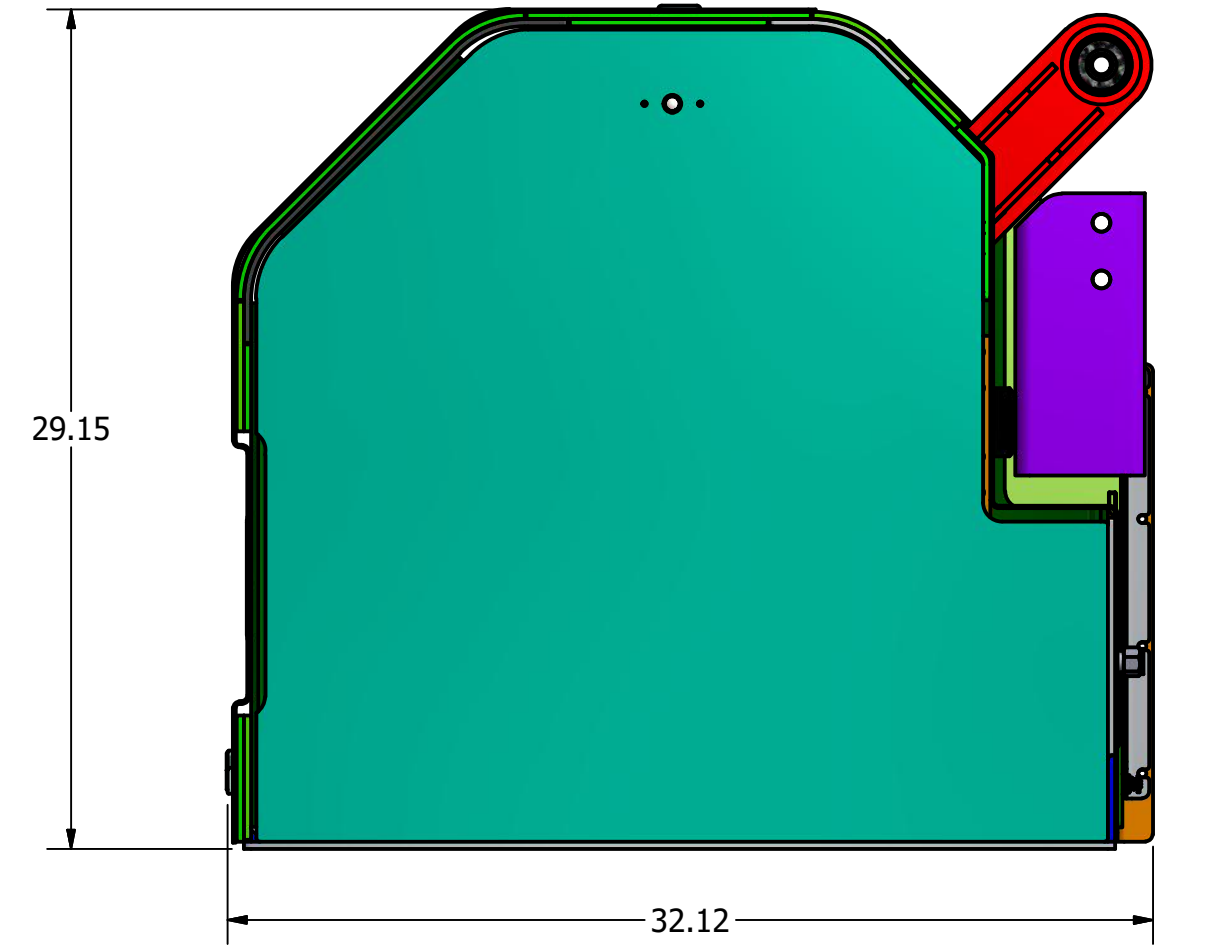
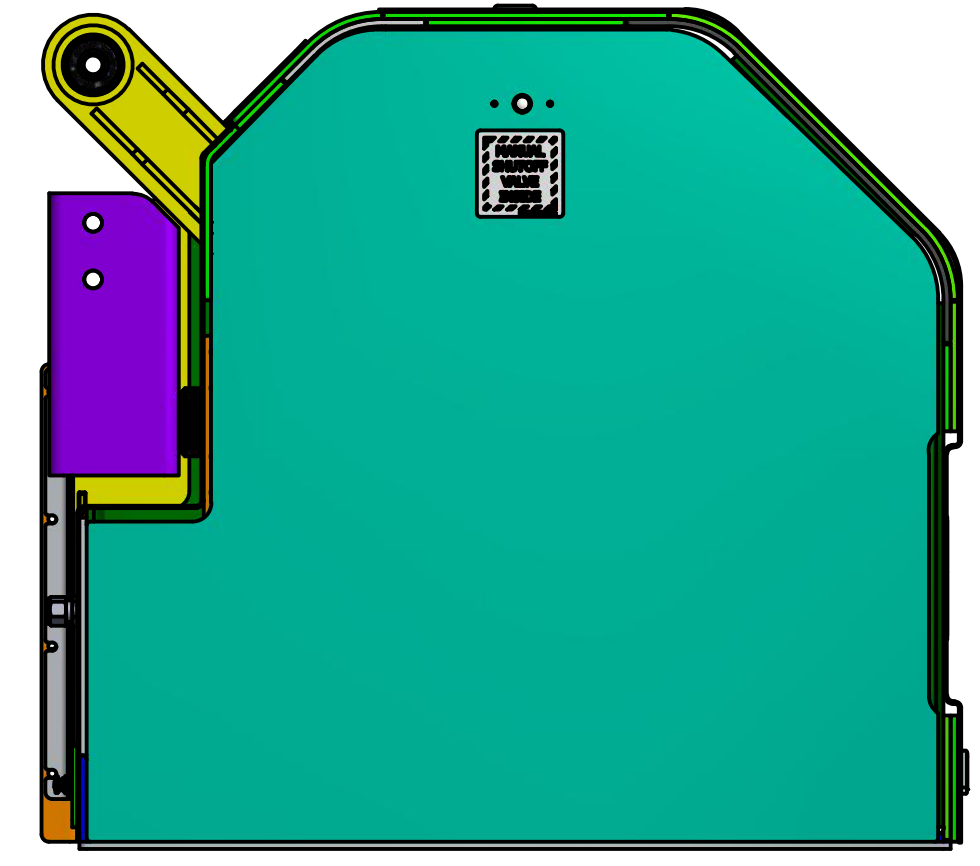
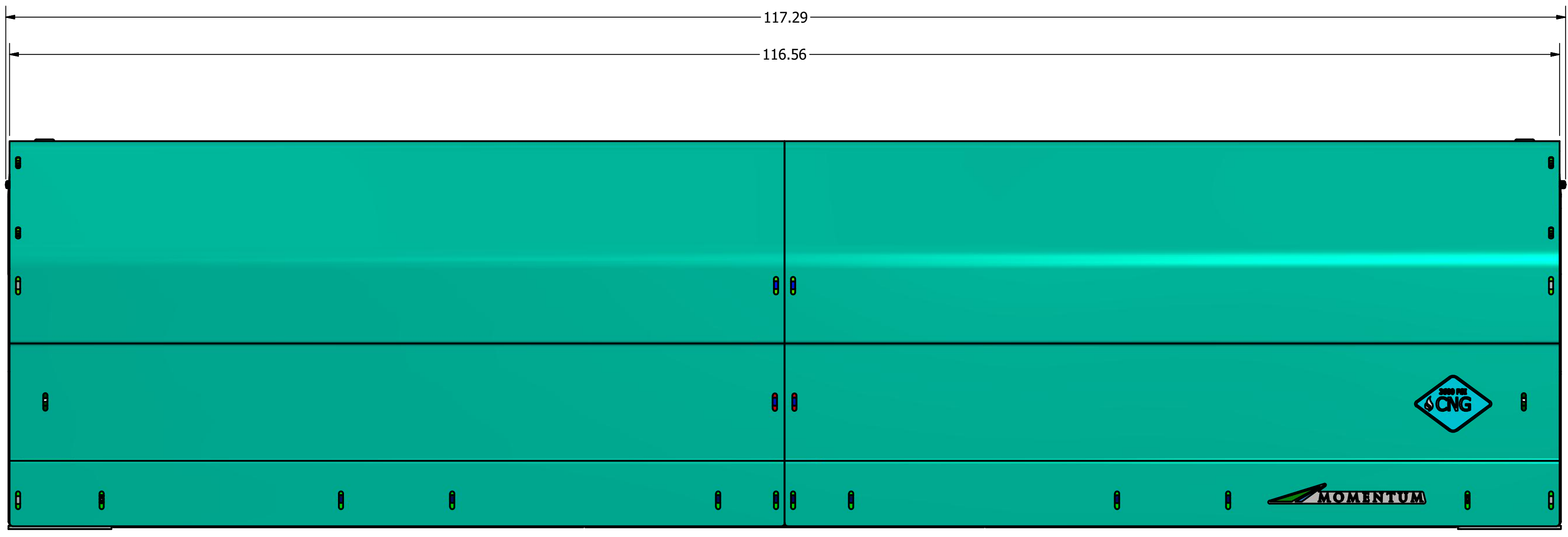
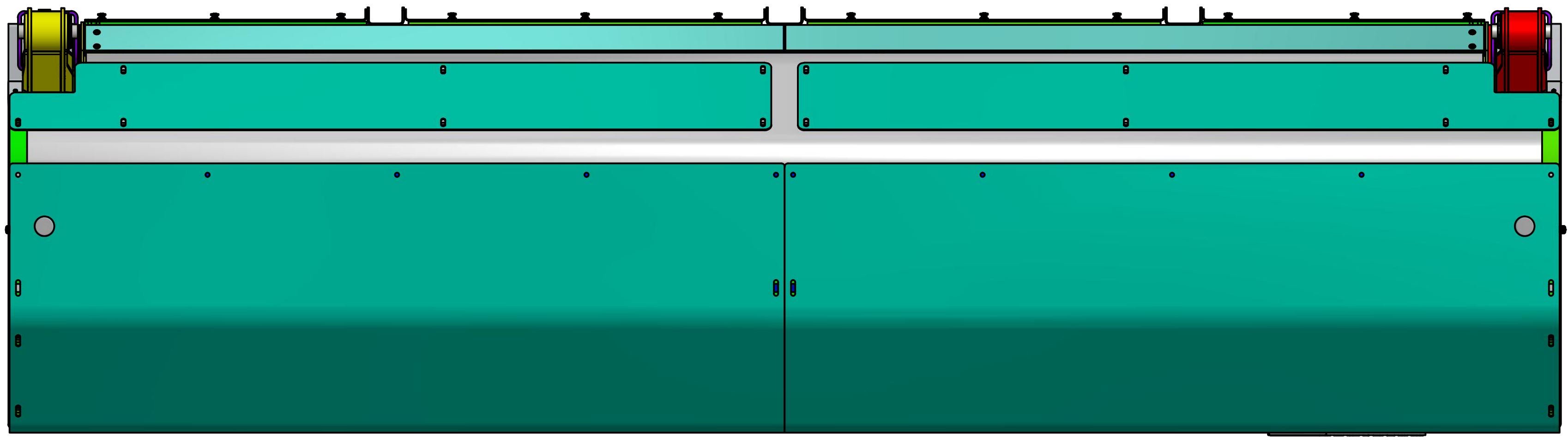


8 7 6 5 4 3 2 1



I

DO NOT SCALE THIS PRINT

NOTES:

- 1) FOR INFORMATION NOT CONTAINED IN THIS PRINT REFERENCE THE MATH DATA FOR THIS PART (602-000060-000000000 WITHOUT STEPS)
- 2) ALL DIMENSIONS ARE IN INCHES
- 3) PART SHALL BE FREE OF BURRS, FLASH AND SHARP EDGES
- 4) PART NUMBER, REV LEVEL, AND SUPPLIER CODE REQUIRED ON ALL PARTS. ETCH, STAMP, OR OTHERWISE PERMANENTLY ATTACH REQUIRED INFORMATION ON LARGER PARTS. PERMANENT MARKINGS SHALL BE PLACED IN SUCH A WAY THAT THEY ARE VISIBLE AFTER PART IS COATED OR PAINTED. SMALLER PARTS SHOULD HAVE THE INFORMATION ATTACHED BY THE BEST METHOD POSSIBLE. ALTERNATE MEANS OF ATTACHING INFORMATION MUST BE APPROVED.

ALL DIMENSION TOLERANCES UNLESS NOTED

ONE PLACE	.X	±.06
TWO PLACES	.XX	±.03
THREE PLACES	.XXX	±.010
FOUR PLACES	.XXXX	±.0010
ANGLES		±1.0°

ALL MACHINED SURFACES TO BE 250 RMS UNLESS NOTED.

**CONFIDENTIAL AND TRADE SECRET INFORMATION OF NATURAL GAS FUEL SYSTEMS, INC. dba MOMENTUM FUEL TECHNOLOGIES**  
 This document and the information in it is confidential, proprietary and trade secret information of Natural Gas Fuel Systems, Inc. dba Momentum Fuel Technologies on behalf of itself and its subsidiaries and affiliates ("Momentum"). It contains information intended only for the person to whom it is transmitted and may not be disclosed to any third party, in whole or in part, or used to manufacture anything shown or referred to herein, without Momentum's express, written permission. This document must be returned to Momentum on request.

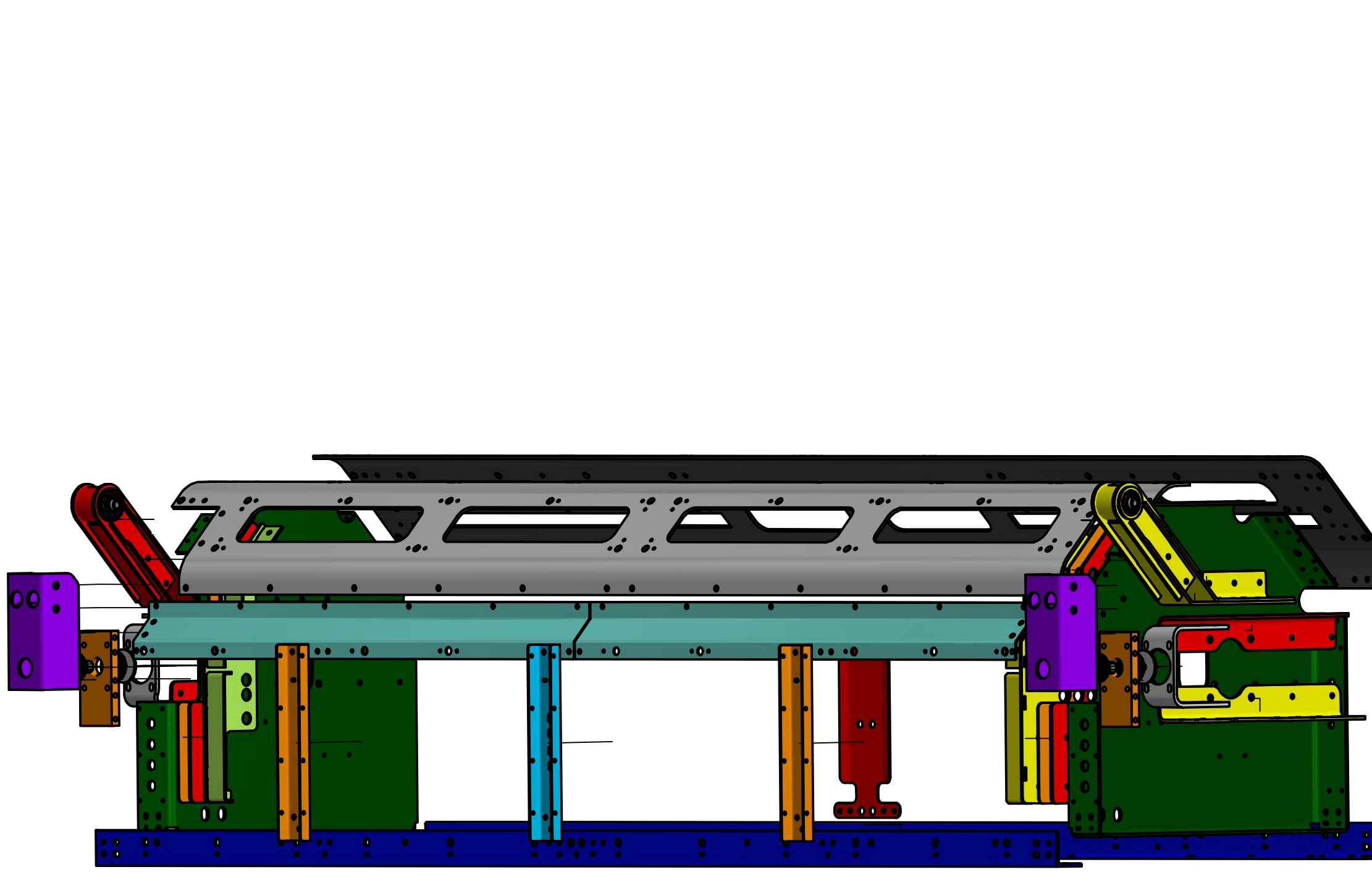
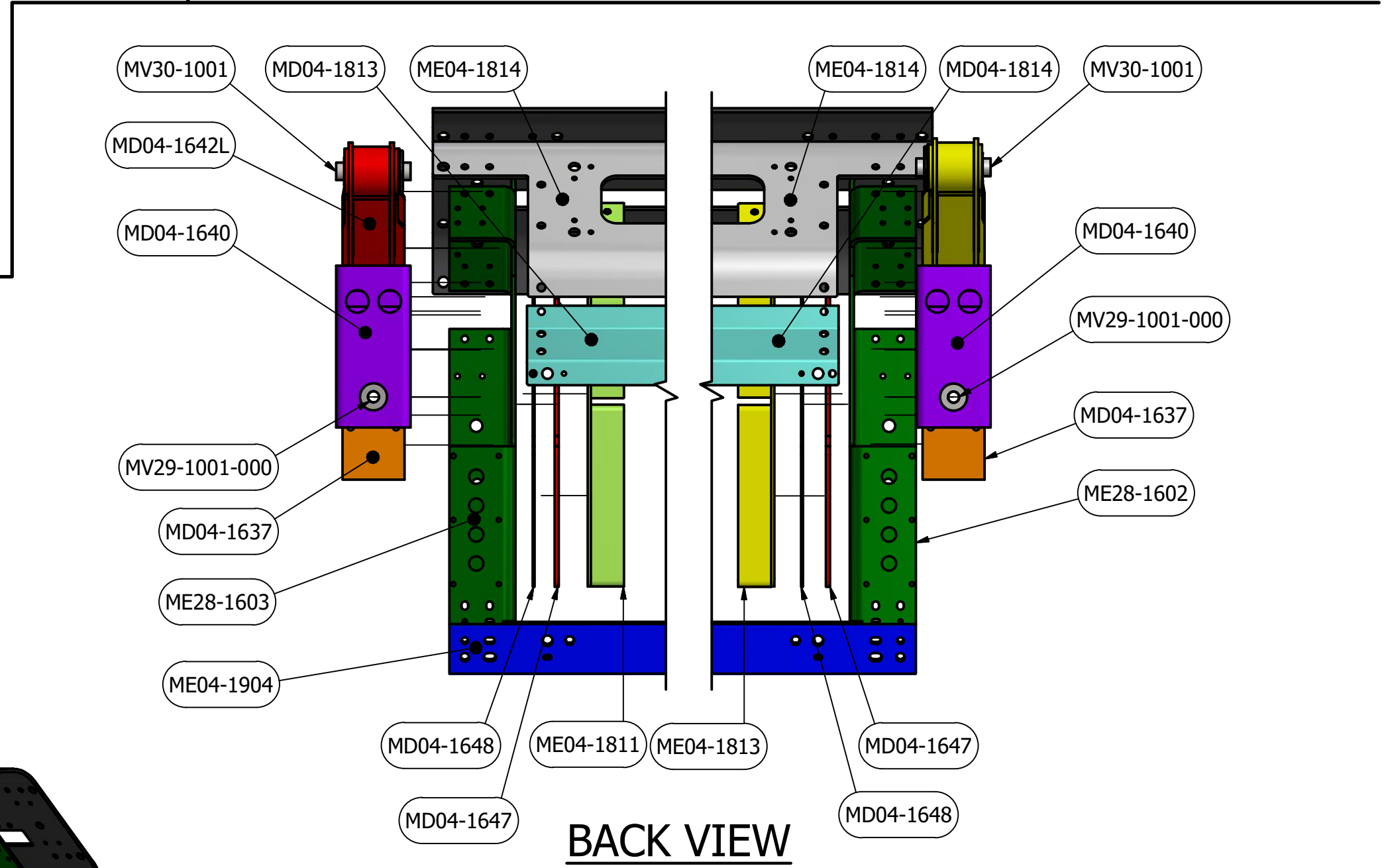
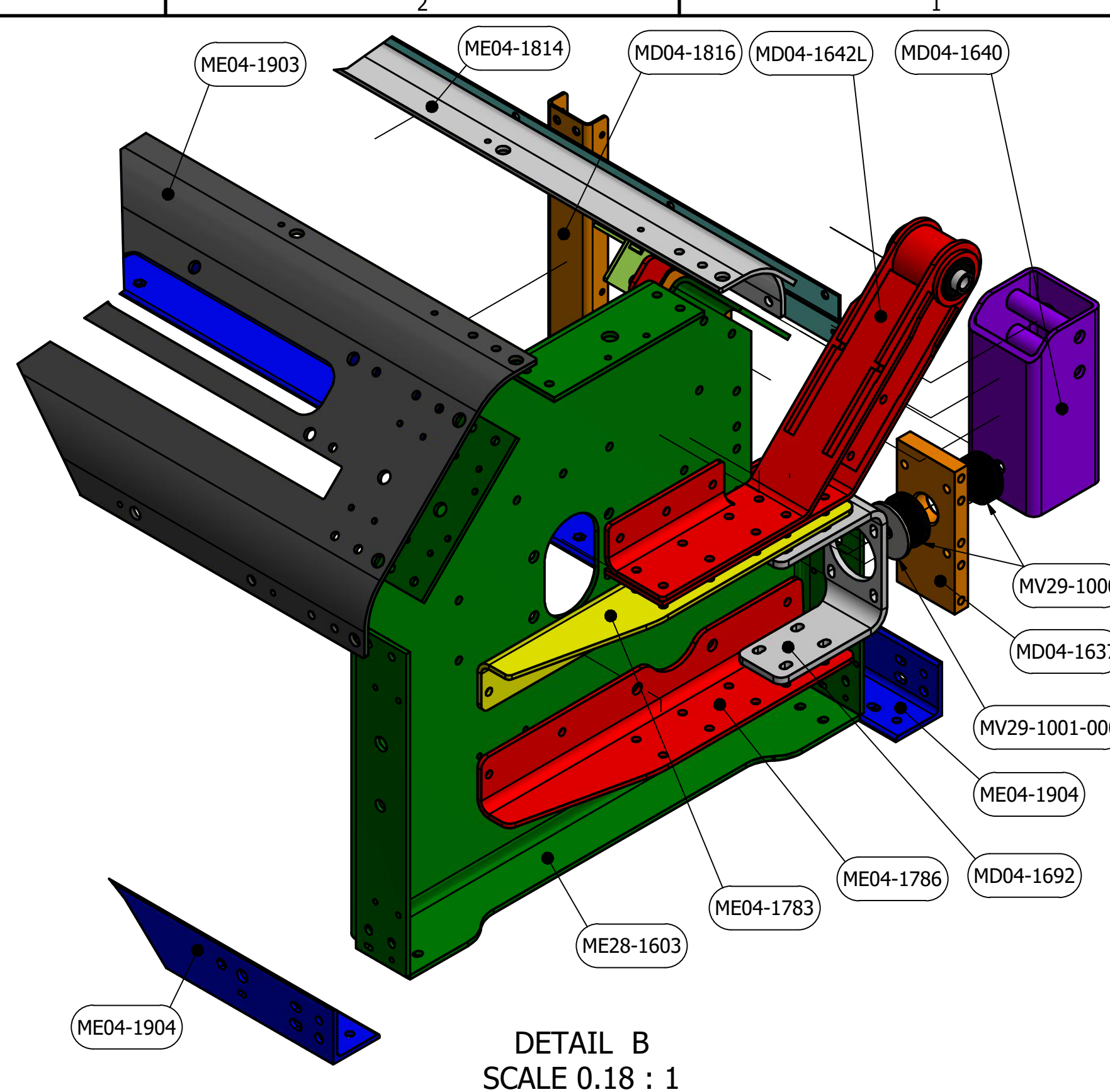
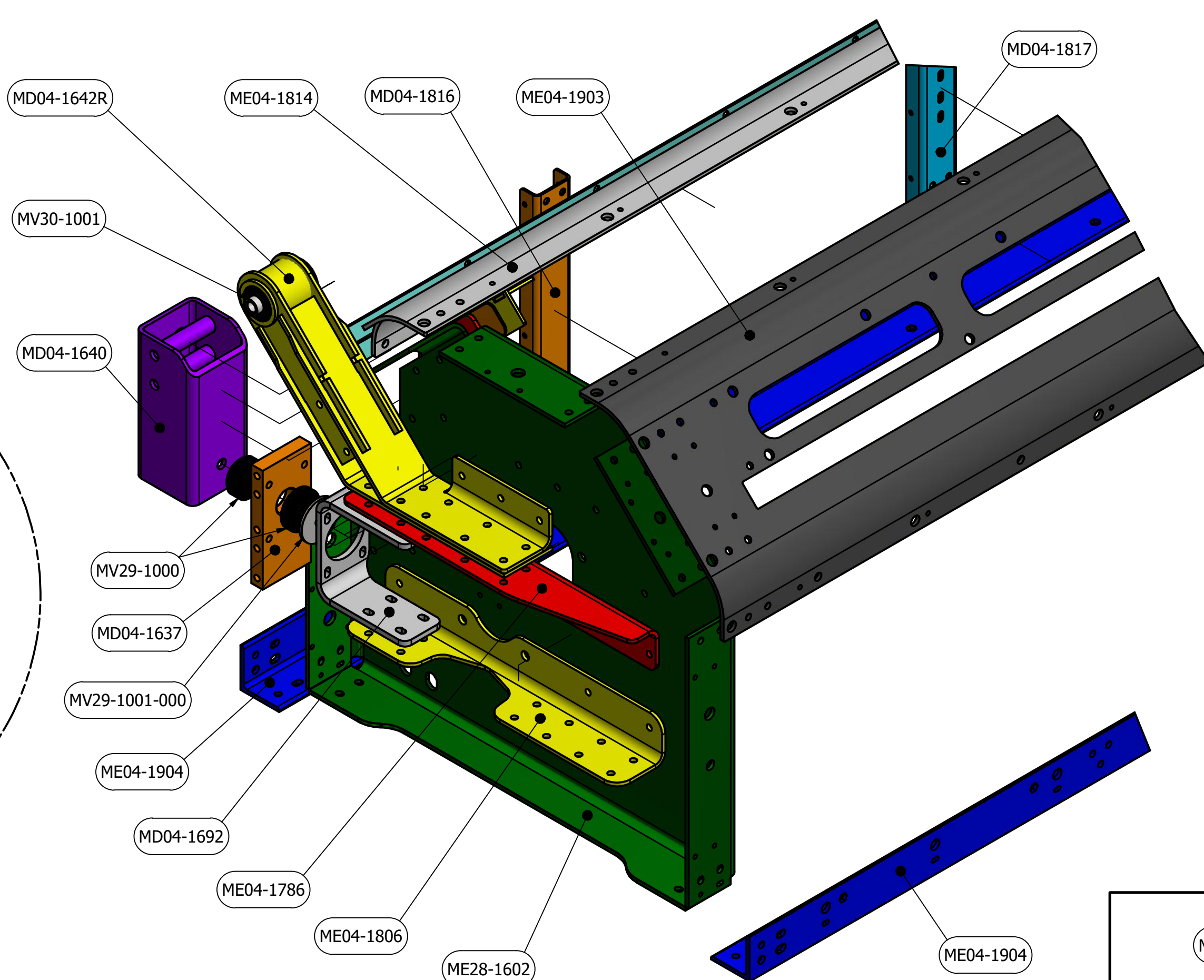
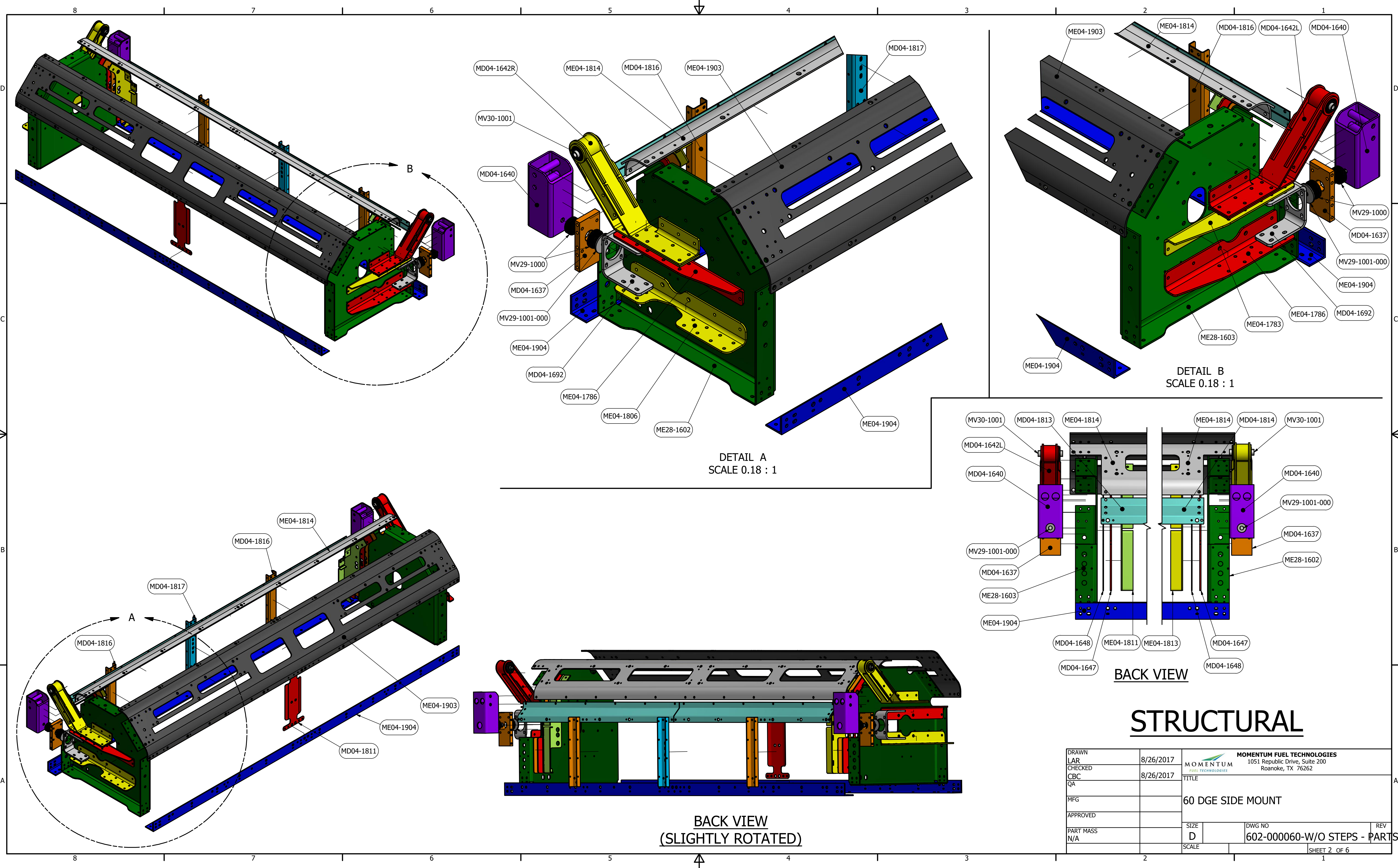
Any form of reproduction, dissemination, copying, disclosure, modification, distribution, and or publication of this document and the information contained herein is strictly prohibited.

This notice must appear on any complete or partial reproduction of this document or the information contained herein.

Copyright © 2017 Natural Gas Fuel Systems, Inc. dba Momentum Fuel Technologies. All rights reserved.

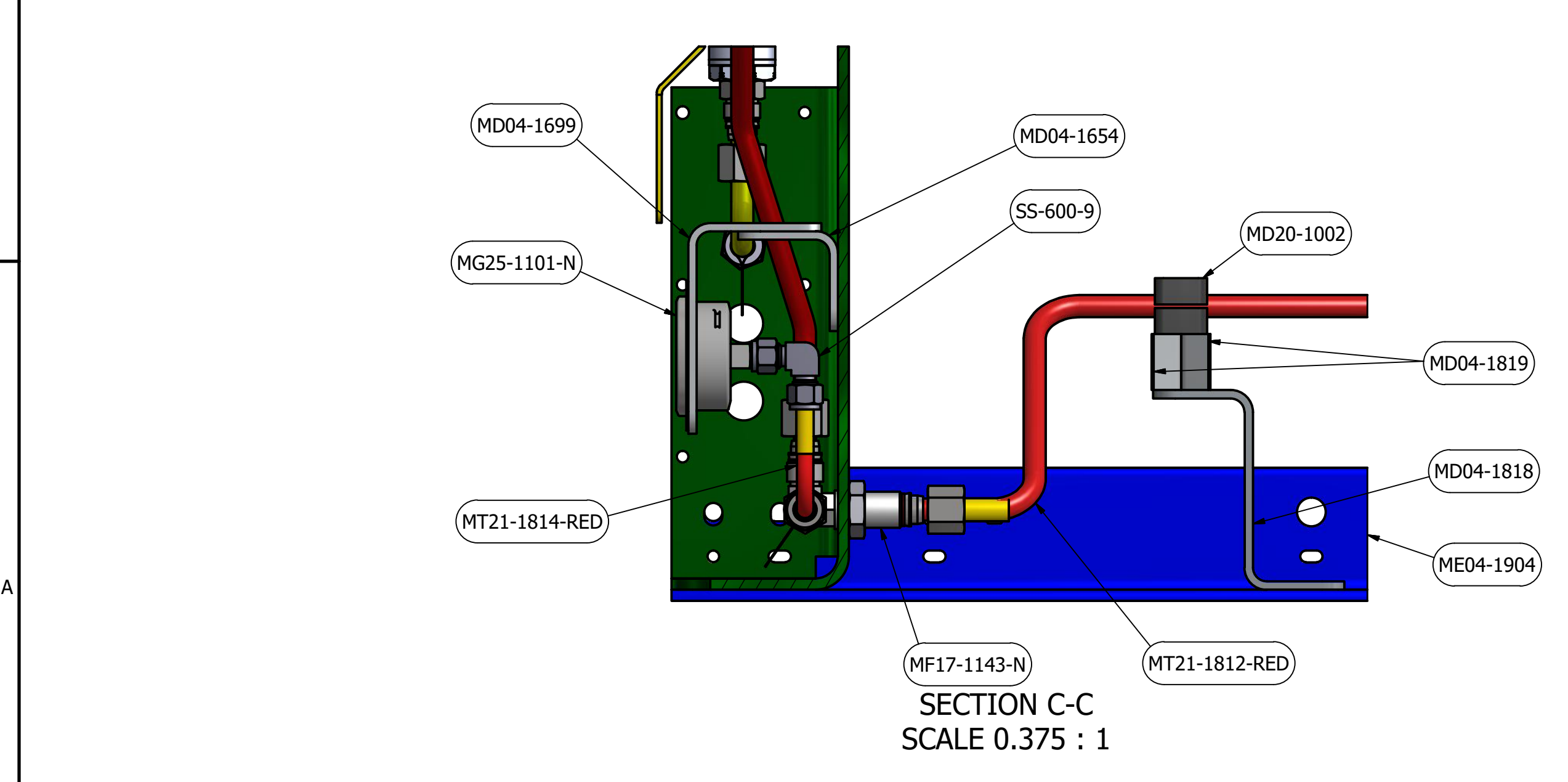
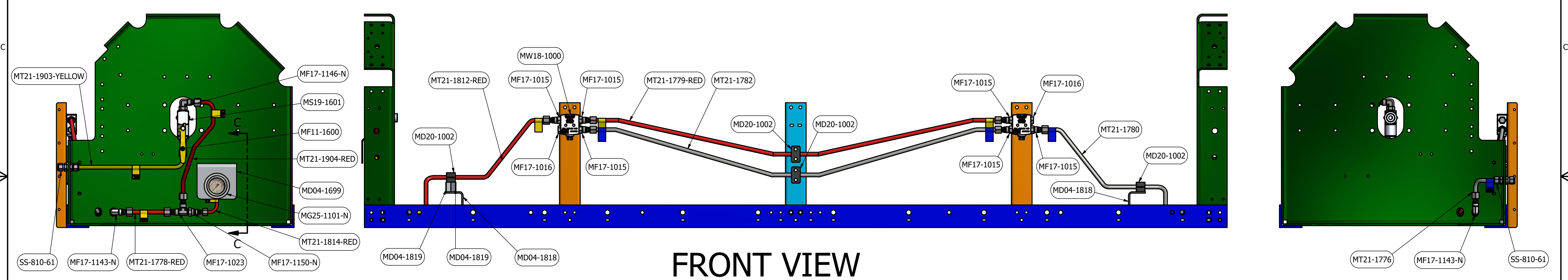
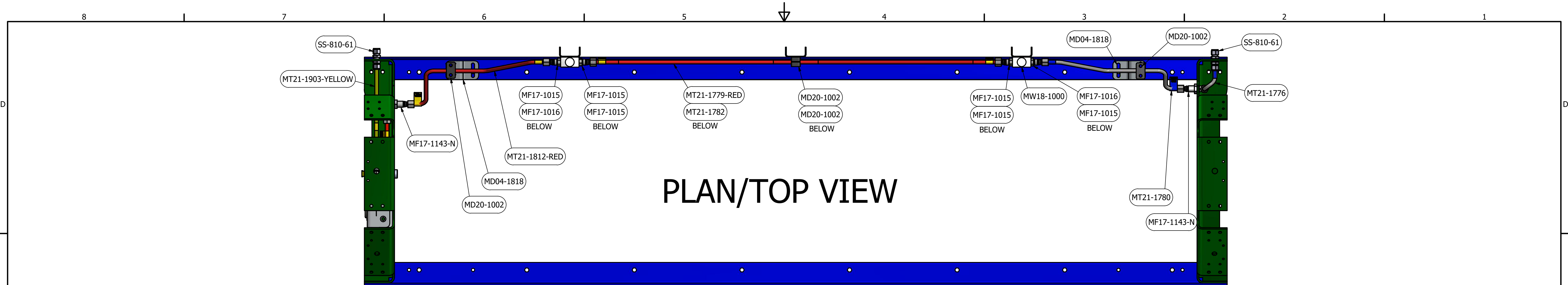
DRAWN	LAR	8/26/2017	<b>MOMENTUM FUEL TECHNOLOGIES</b> 1051 Republic Drive, Suite 200 Roanoke, TX 76262		
CHECKED	CBC	8/26/2017	TITLE		
QA			60 DGE SIDE MOUNT		
MFG			SIZE	DWG NO	REV
APPROVED			D	602-000060-W/O STEPS - PARTS	
PART MASS	N/A		SCALE		SHEET 1 OF 6

8 7 6 5 4 3 2 1



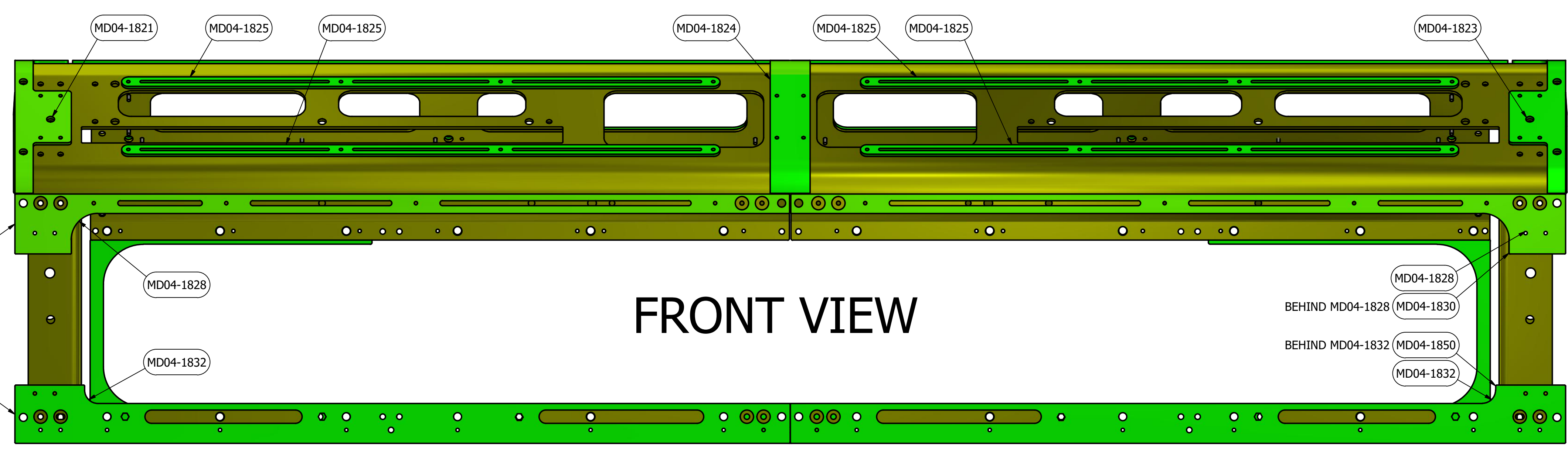
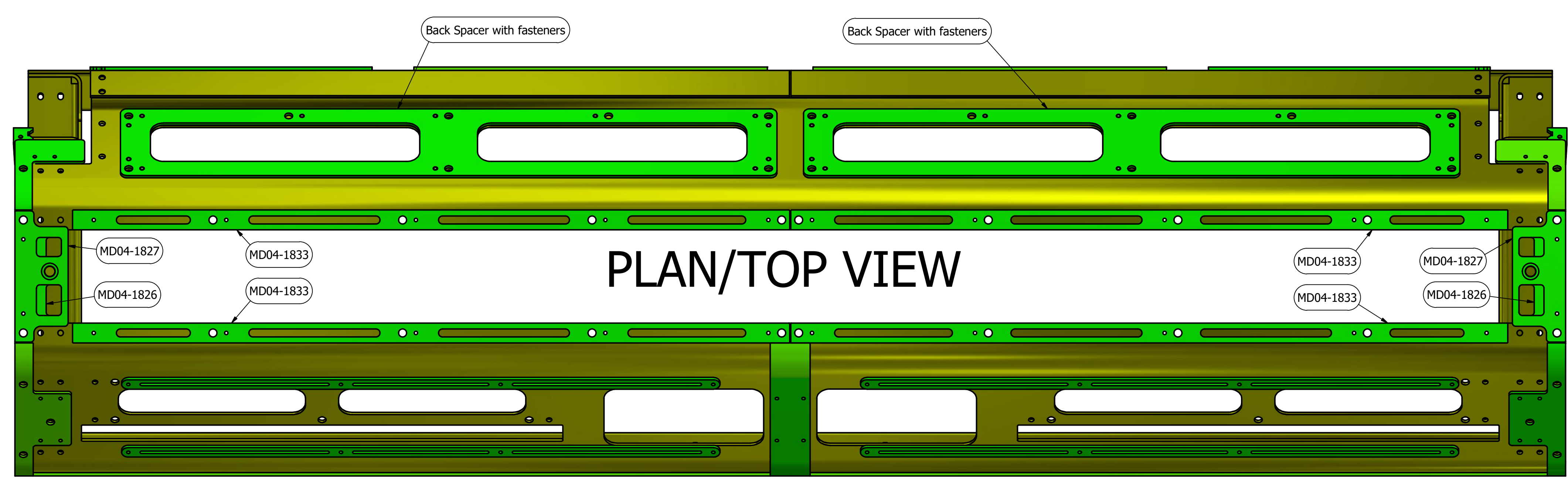
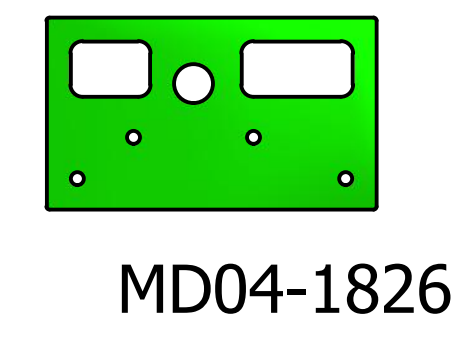
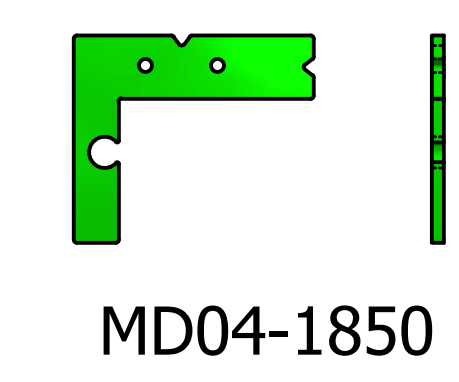
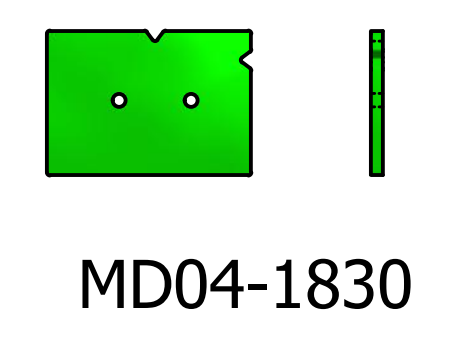
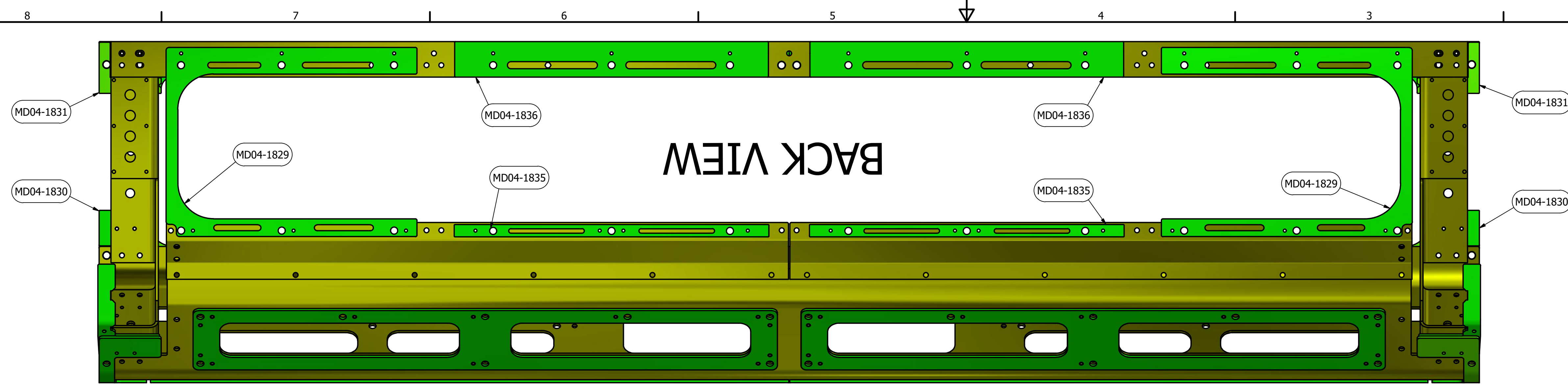
# STRUCTURAL

DRAWN	LAR	8/26/2017	<b>MOMENTUM FUEL TECHNOLOGIES</b> 1051 Republic Drive, Suite 200 Roanoke, TX 76262	
CHECKED	CBC	8/26/2017	TITLE	
QA			60 DGE SIDE MOUNT	
MFG			SIZE	DWG NO
APPROVED			D	602-000060-W/O STEPS - PARTS
PART MASS	N/A		SCALE	REV
				SHEET 2 OF 6



# PLUMBING

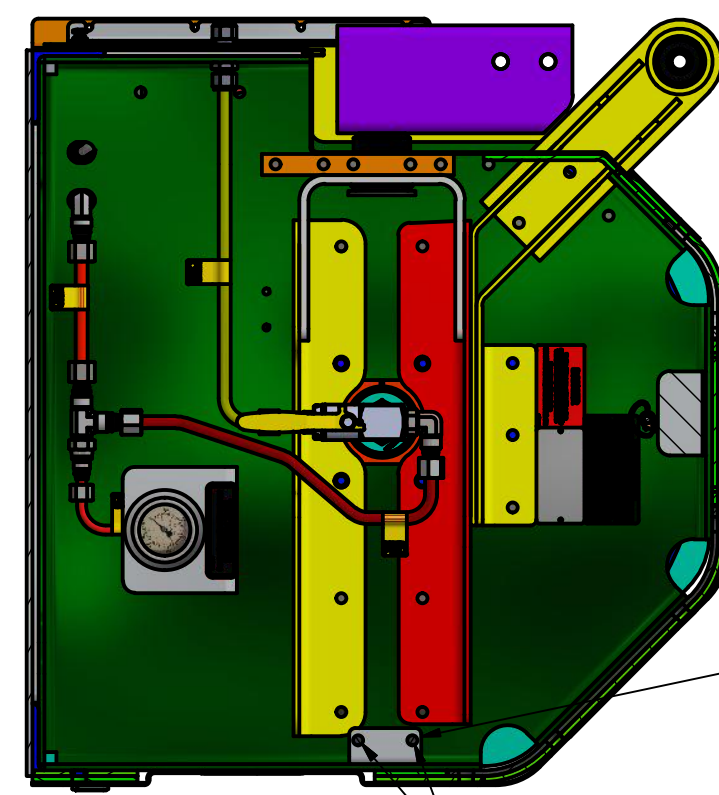
DRAWN	8/26/2017	<b>MOMENTUM FUEL TECHNOLOGIES</b> 1051 Republic Drive, Suite 200 Roanoke, TX 76262	
CHECKED	8/26/2017	TITLE	
CBC		60 DGE SIDE MOUNT	
QA		SIZE	DWG NO
MFG		D	602-000060-W/O STEPS - PARTS
APPROVED		SCALE	REV
PART MASS			
N/A			
		SHEET 3 OF 6	



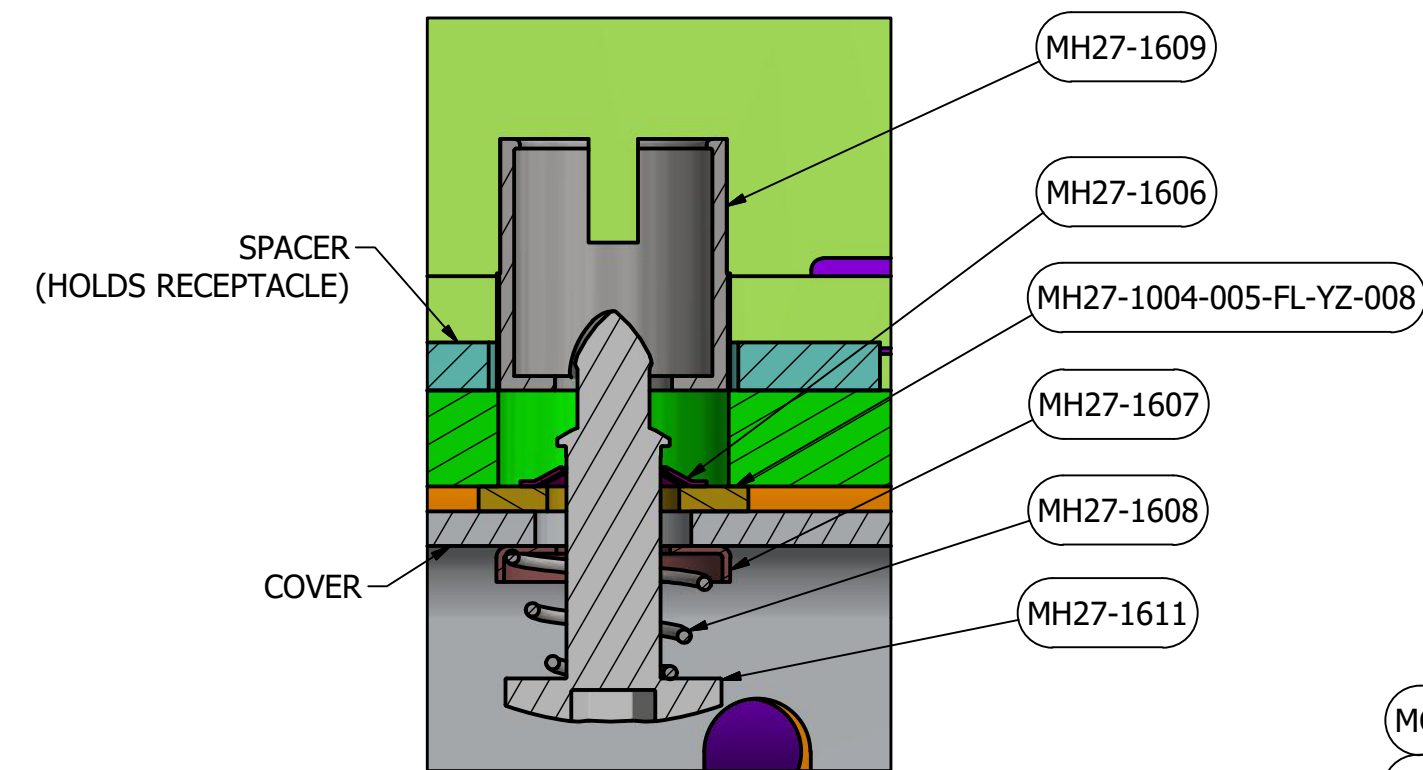
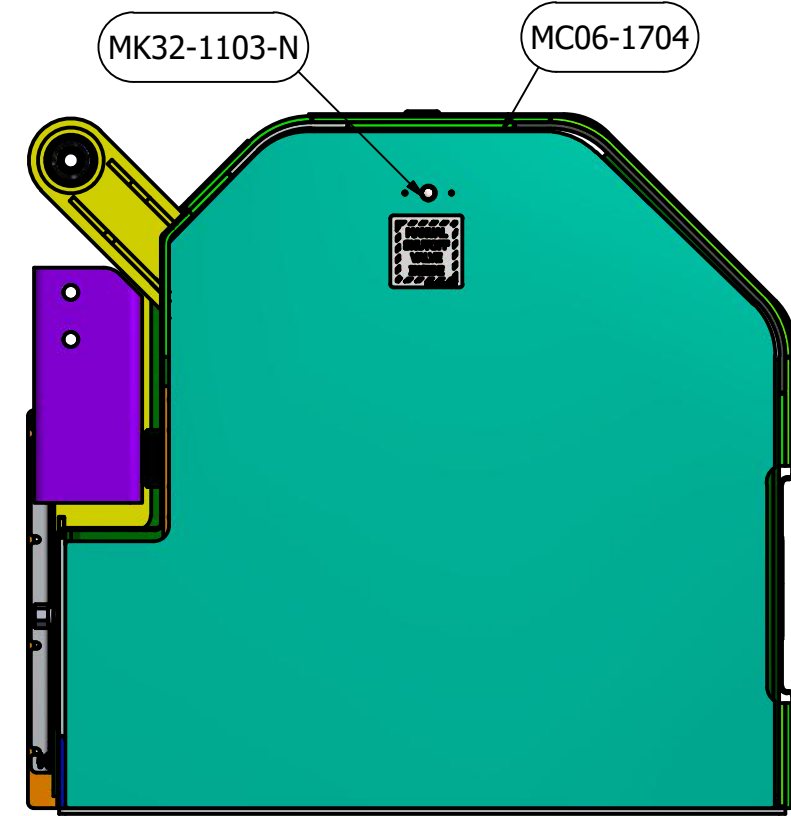
# SPACERS FOR COVERS

DRAWN	LAR	8/26/2017	<b>MOMENTUM FUEL TECHNOLOGIES</b> 1051 Republic Drive, Suite 200 Roanoke, TX 76262	
CHECKED	CBC	8/26/2017	TITLE	
QA			60 DGE SIDE MOUNT	
MFG			SIZE	DWG NO
APPROVED			D	602-000060-W/O STEPS - PARTS
PART MASS	N/A		SCALE	REV
				1

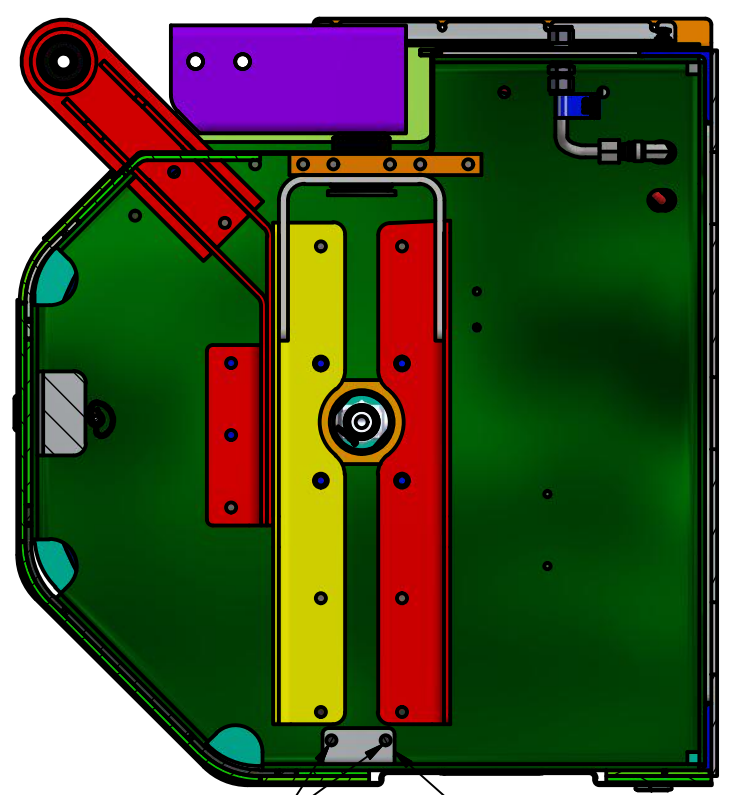
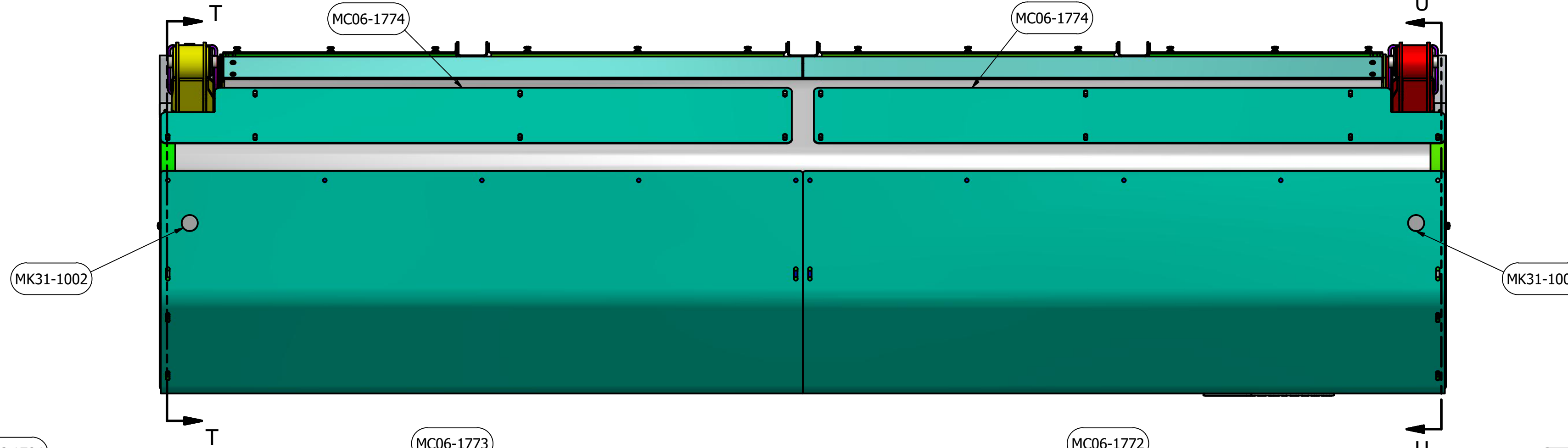
SHEET 4 OF 6



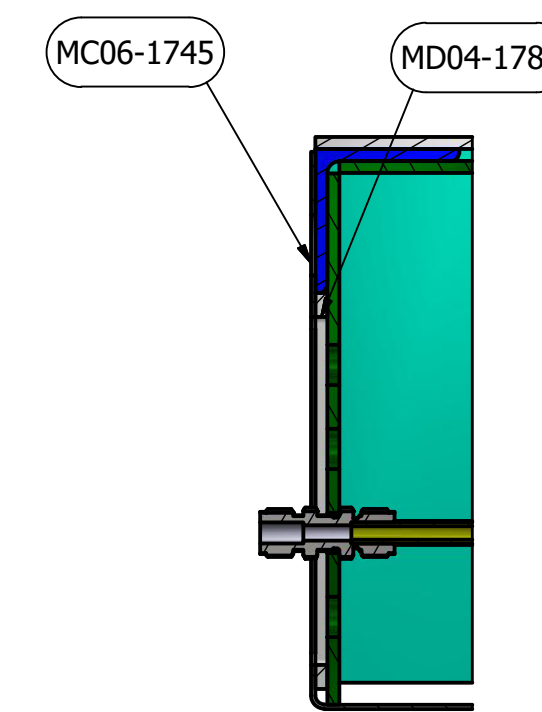
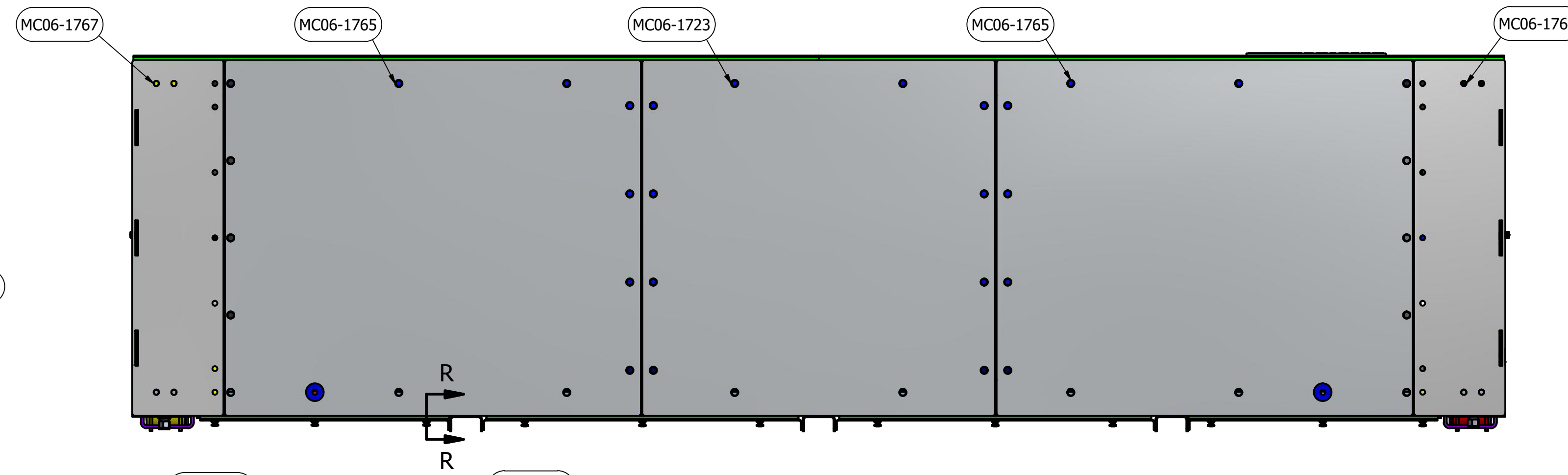
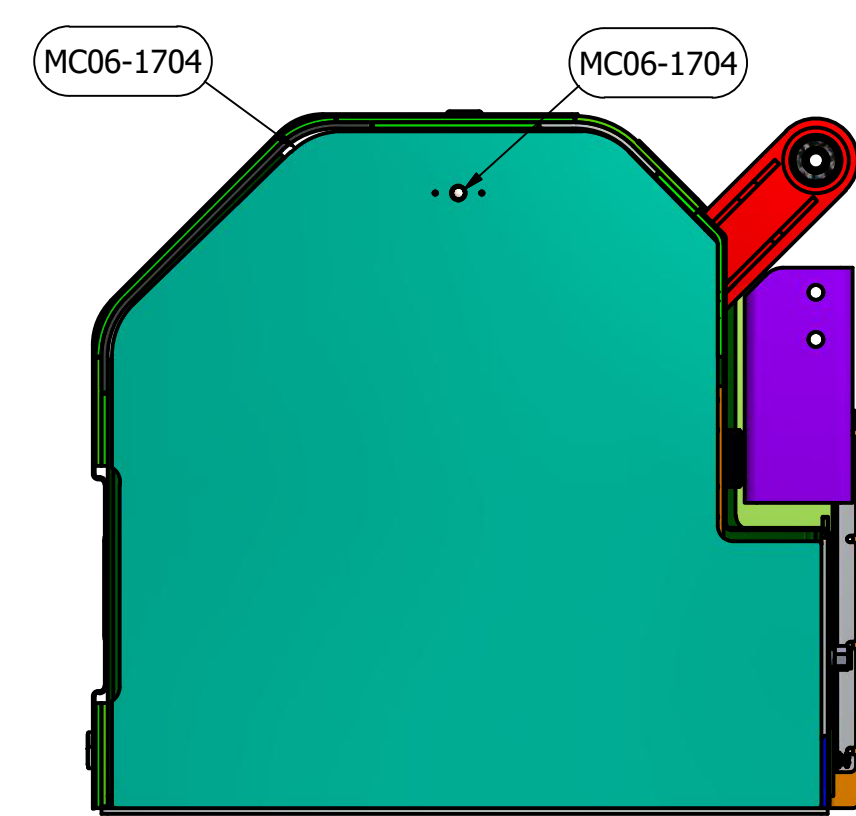
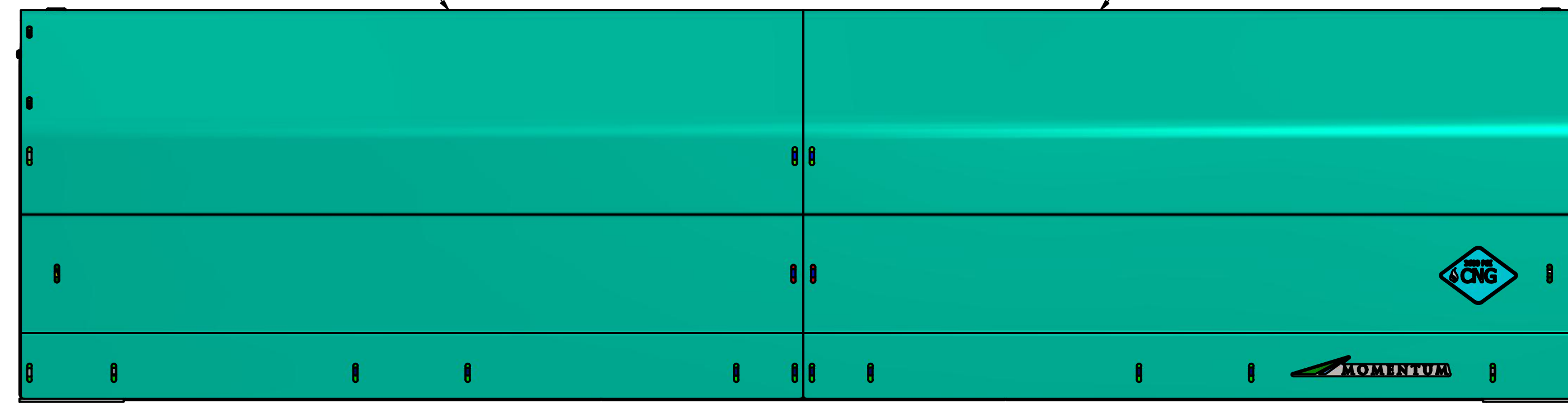
SECTION T-T  
SCALE .125 : 1



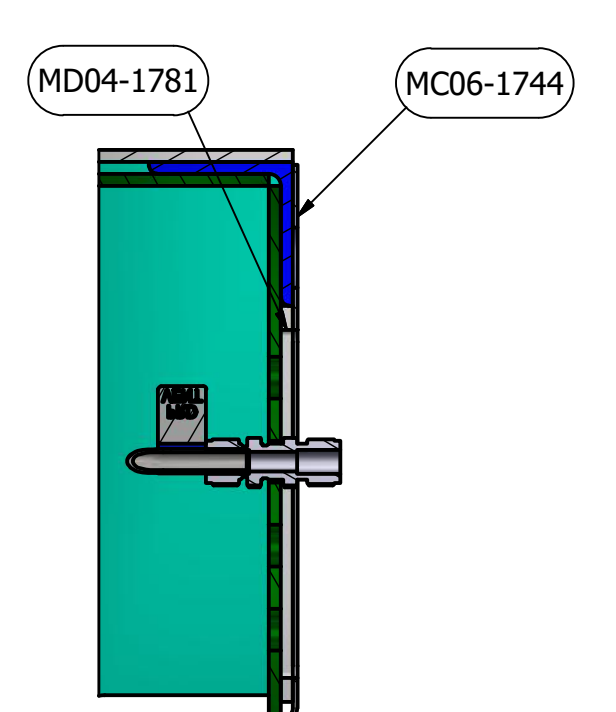
(COVER FASTENER DETAIL - TYPICAL)  
SECTION R-R  
SCALE 2 : 1



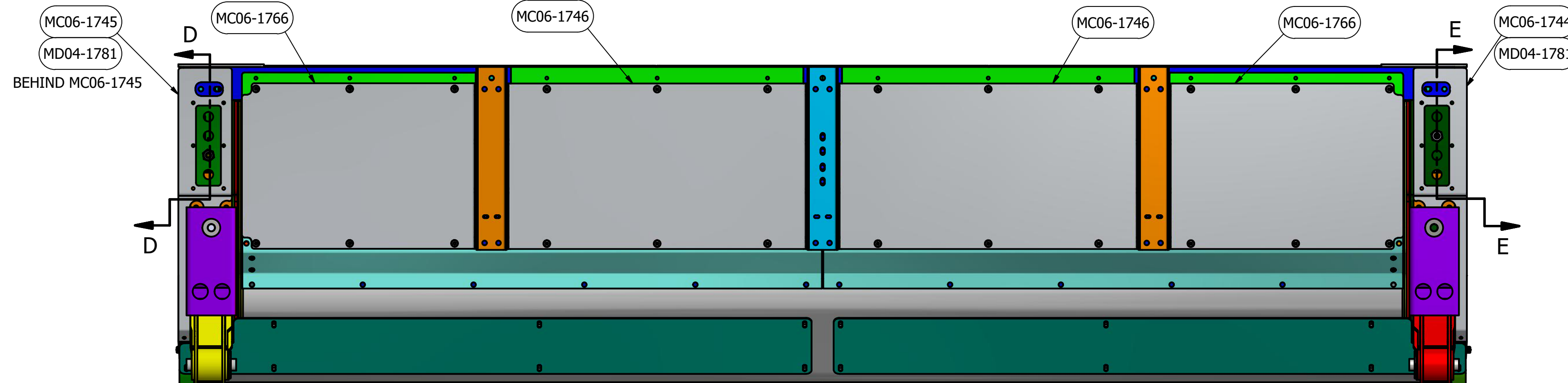
SECTION U-U  
SCALE .125 : 1



SECTION D-D  
SCALE .25 : 1

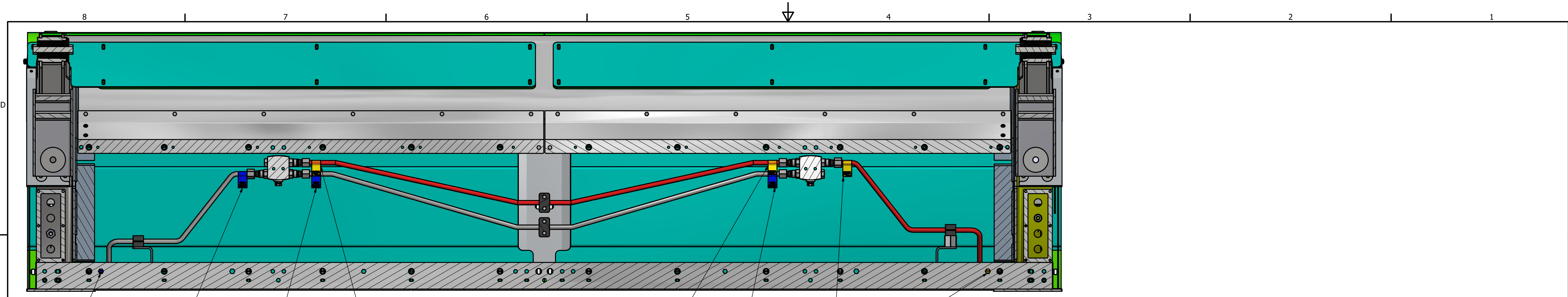


SECTION E-E  
SCALE .25 : 1

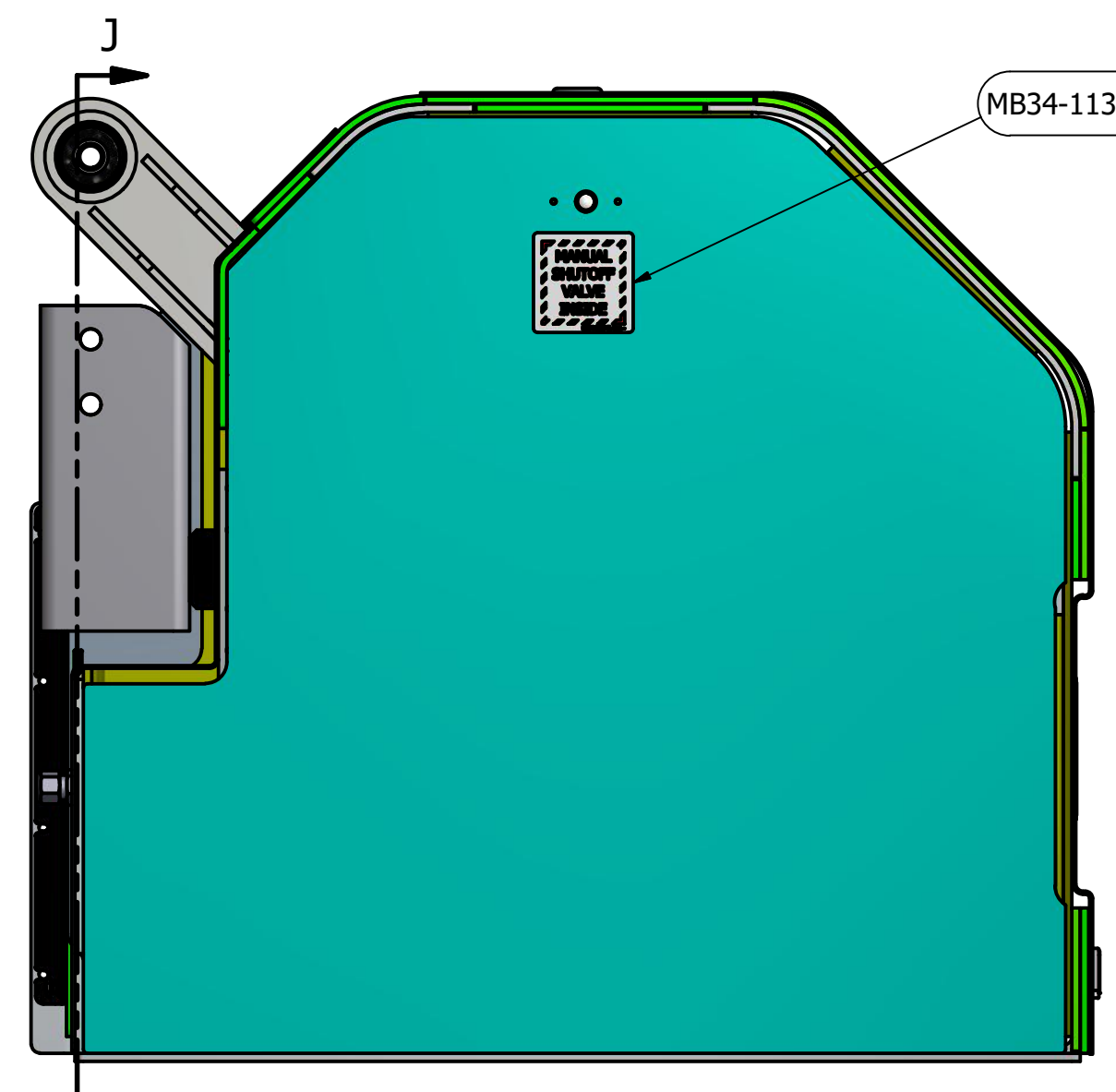
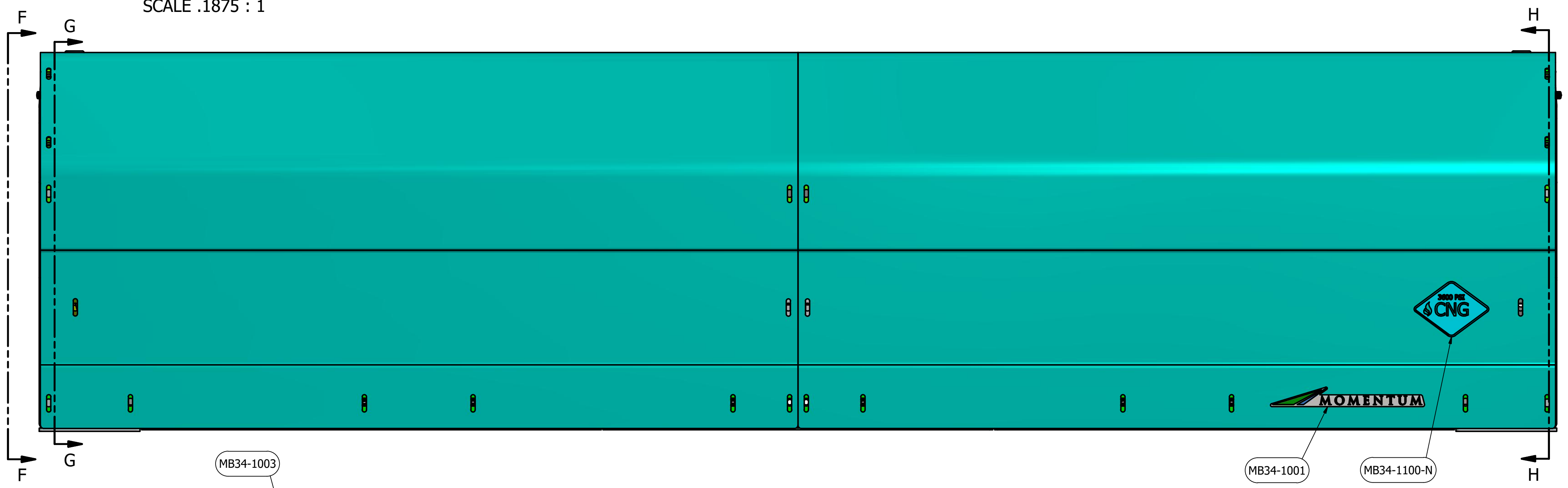


# COVERS

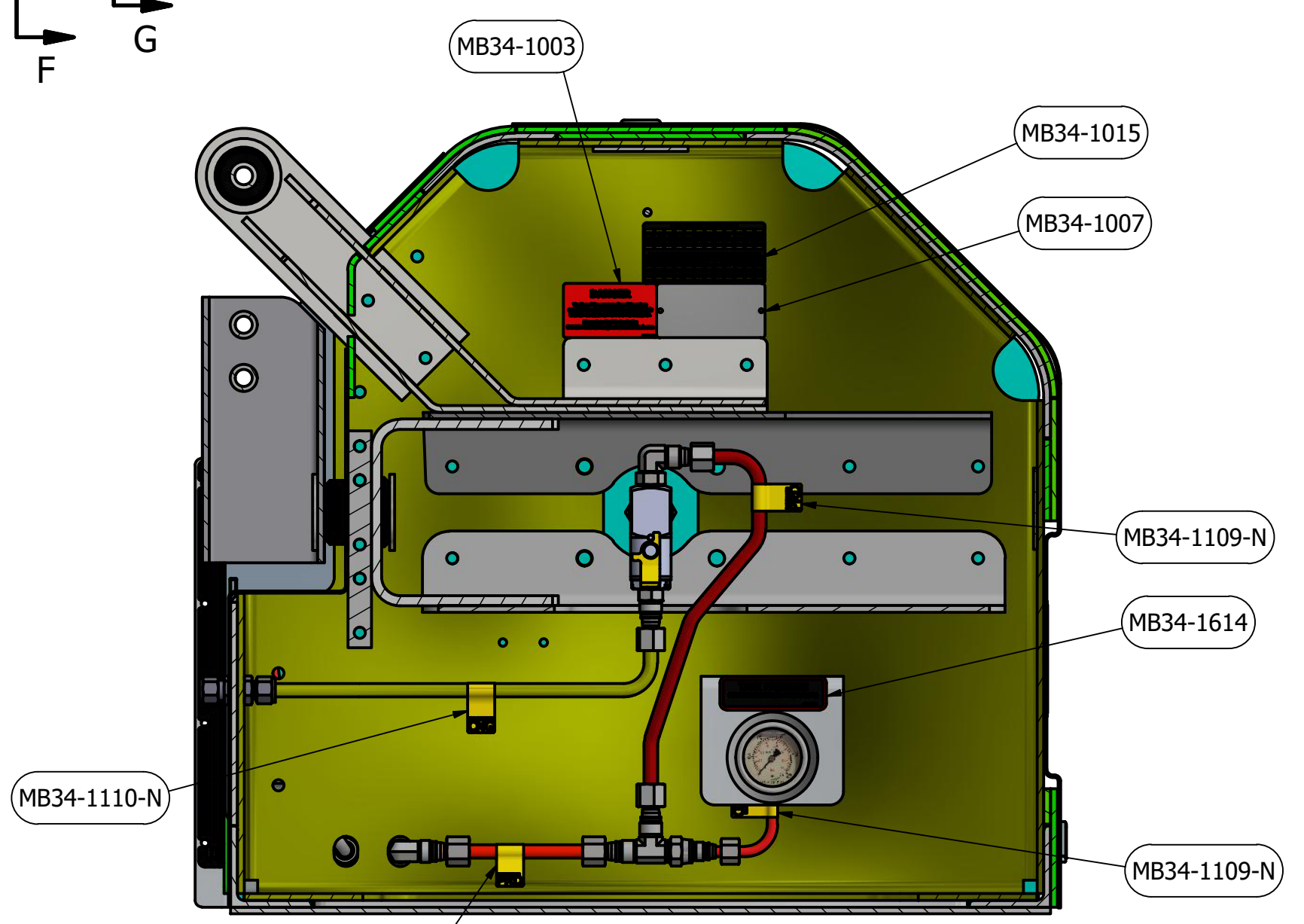
DRAWN	8/26/2017	<b>MOMENTUM FUEL TECHNOLOGIES</b> 1051 Republic Drive, Suite 200 Roanoke, TX 76262	
CHECKED	8/26/2017	TITLE	
CBC		60 DGE SIDE MOUNT	
QA		SIZE	DWG NO
MFG		D	602-000060-W/O STEPS - PARTS
APPROVED		SCALE	REV
PART MASS			
N/A			



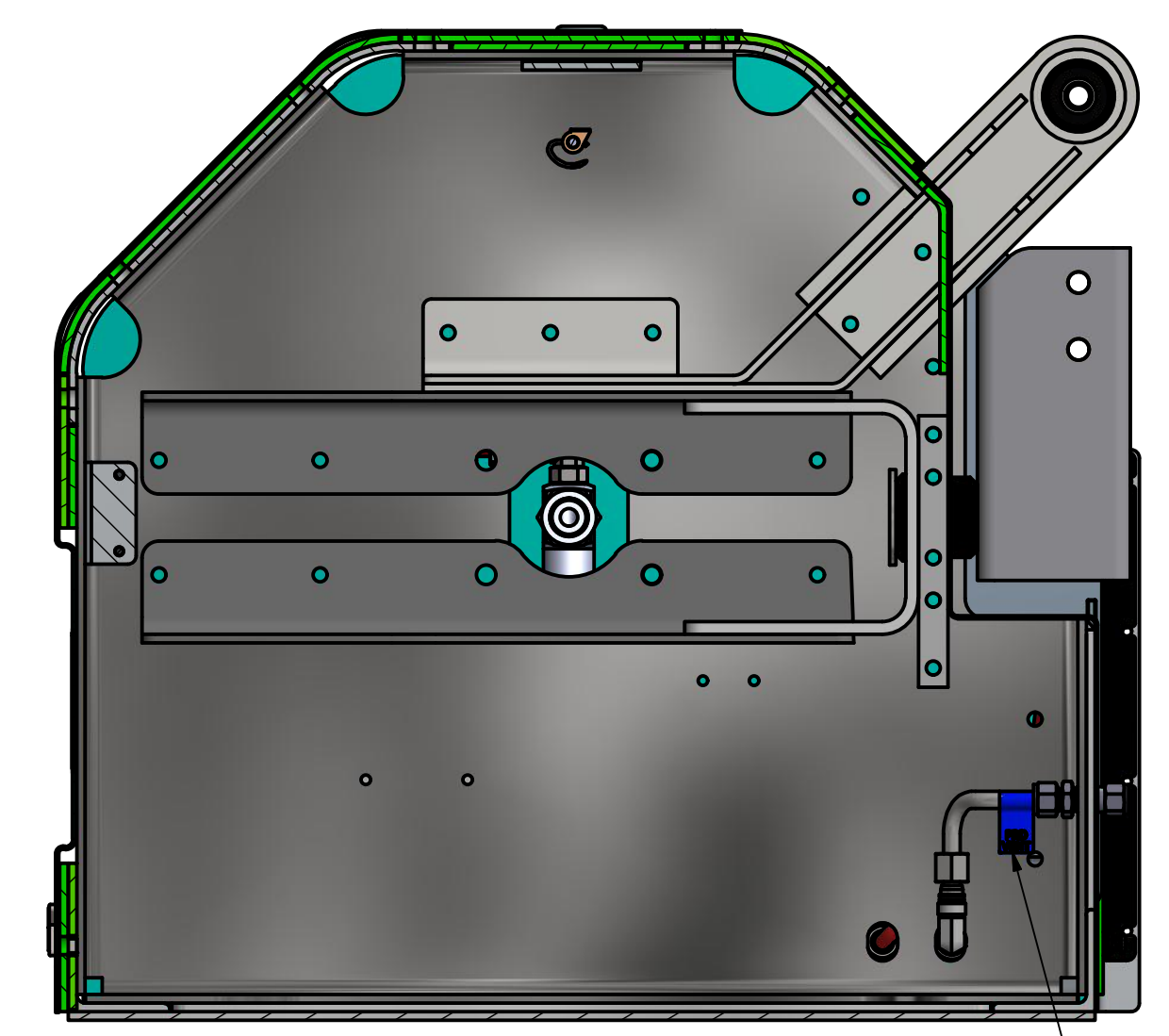
SECTION J-J  
SCALE .1875 : 1



VIEW F-F  
SCALE .1875 : 1



SECTION G-G  
SCALE .1875 : 1



SECTION H-H  
SCALE .1875 : 1

# DECALS/BADGES

DRAWN	LAR	8/26/2017	<b>MOMENTUM FUEL TECHNOLOGIES</b> 1051 Republic Drive, Suite 200 Roanoke, TX 76262	
CHECKED	CBC	8/26/2017	TITLE	
QA			60 DGE SIDE MOUNT	
MFG			SIZE	DWG NO
APPROVED			D	602-000060-W/O STEPS - PARTS
PART MASS	N/A		SCALE	REV
				SHEET 6 OF 6