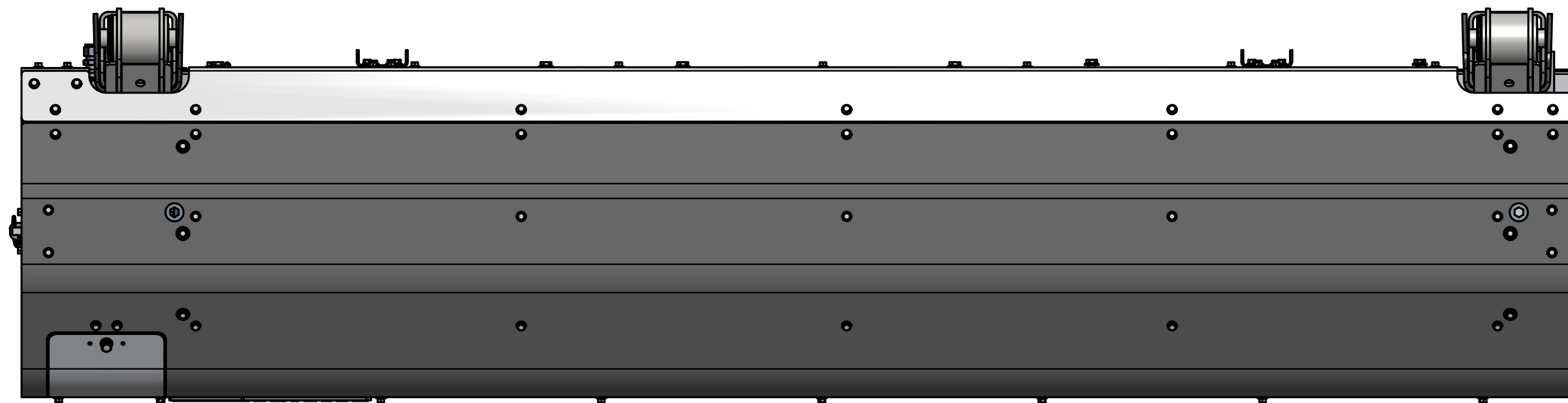
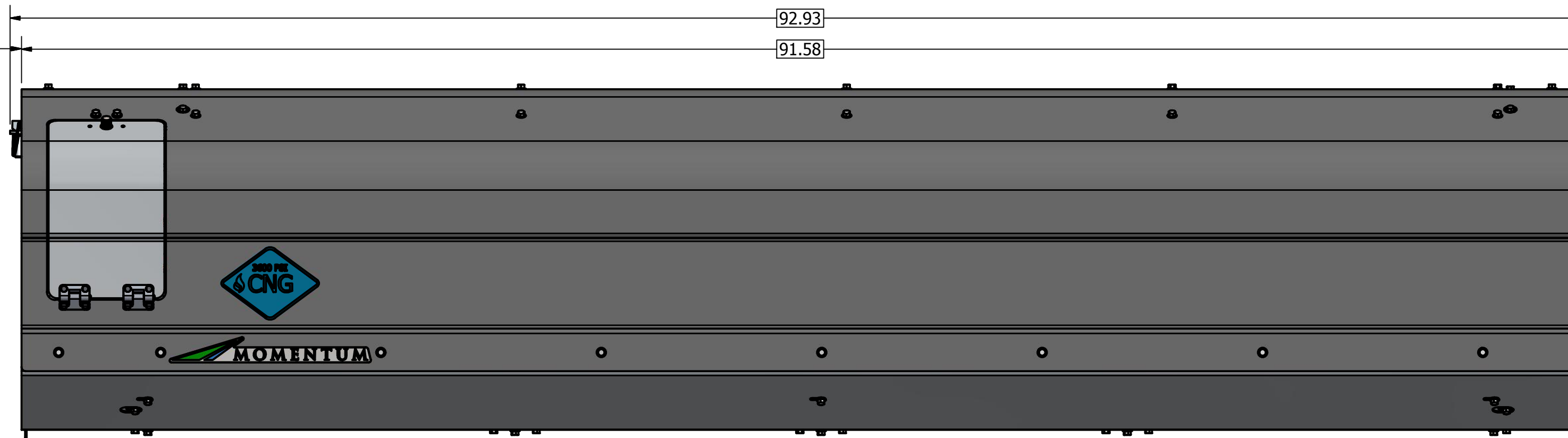


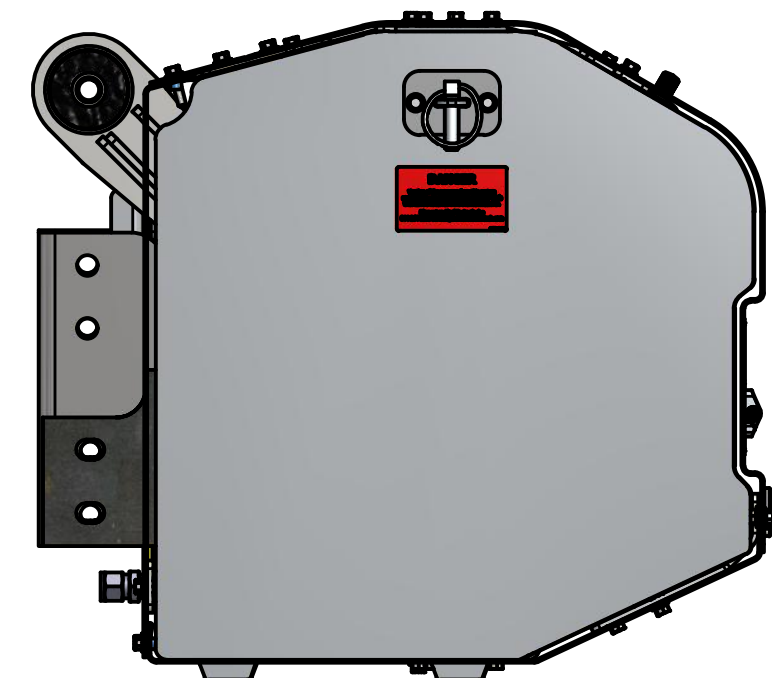
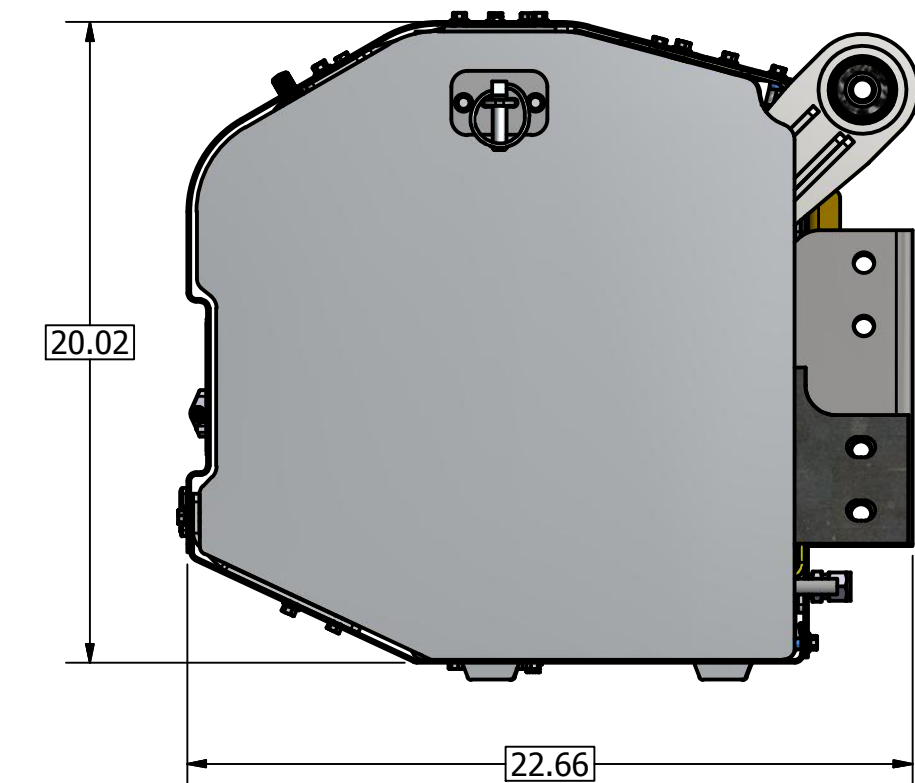
REVISION HISTORY				
ZONE	REV	DESCRIPTION	DATE	APPROVED
	-		09/06/2018	



6" CLEARANCE THIS END FOR SERVICE/ACCESS TO TANK SHUT OFF VALVE



2" CLEARANCE THIS END FOR SERVICE



CONFIDENTIAL AND TRADE SECRET INFORMATION OF NATURAL GAS FUEL SYSTEMS, INC. dba MOMENTUM FUEL TECHNOLOGIES
 This document and the information in it is confidential, proprietary and trade secret information of Natural Gas Fuel Systems, Inc. dba Momentum Fuel Technologies on behalf of itself and its subsidiaries and affiliates ("Momentum"). It contains information intended only for the person to whom it is transmitted and may not be disclosed to any third party, in whole or in part, or used to manufacture anything shown or referred to herein, without Momentum's express, written permission. This document must be returned to Momentum on request.

Any form of reproduction, dissemination, copying, disclosure, modification, distribution, and or publication of this document and the information contained herein is strictly prohibited.

This notice must appear on any complete or partial reproduction of this document or the information contained herein.

Copyright © 2016 Natural Gas Fuel Systems, Inc. dba Momentum Fuel Technologies. All rights reserved.

ALL DIMENSION TOLERANCES UNLESS NOTED
 ONE PLACE .X ±.06
 TWO PLACES .XX ±.03
 THREE PLACES .XXX ±.010
 FOUR PLACES .XXXX ±.0010
 ANGLES ±1.0°
 ALL MACHINED SURFACES TO BE 250 RMS UNLESS NOTED.

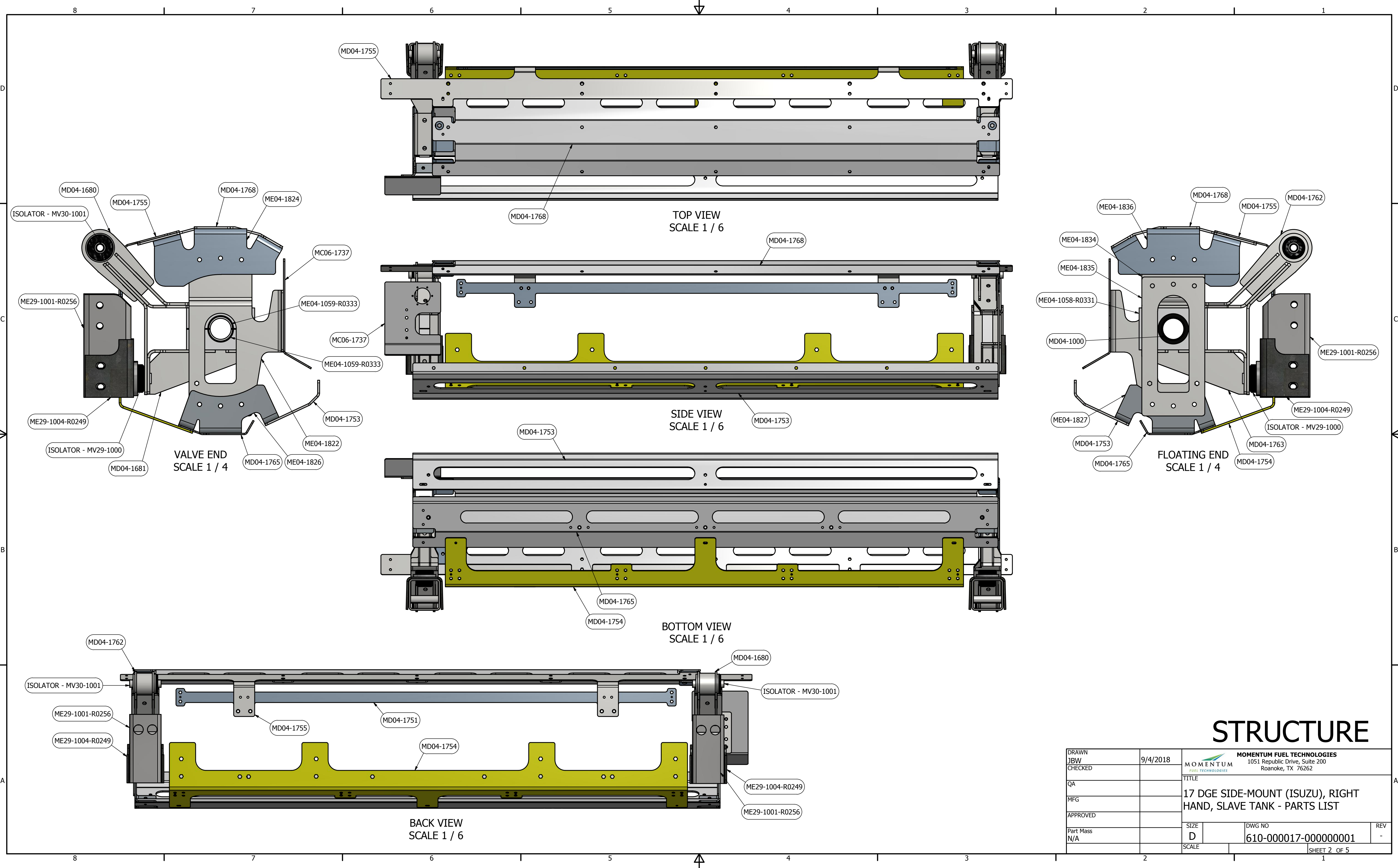
NOTES:

- 1) FOR INFORMATION NOT CONTAINED IN THIS PRINT REFERENCE THE MATH DATA FOR THIS PART (610-000017-000000001)
- 2) ALL DIMENSIONS ARE IN INCHES
- 3) 17 DGE WITHOUT FMM/FILL

I

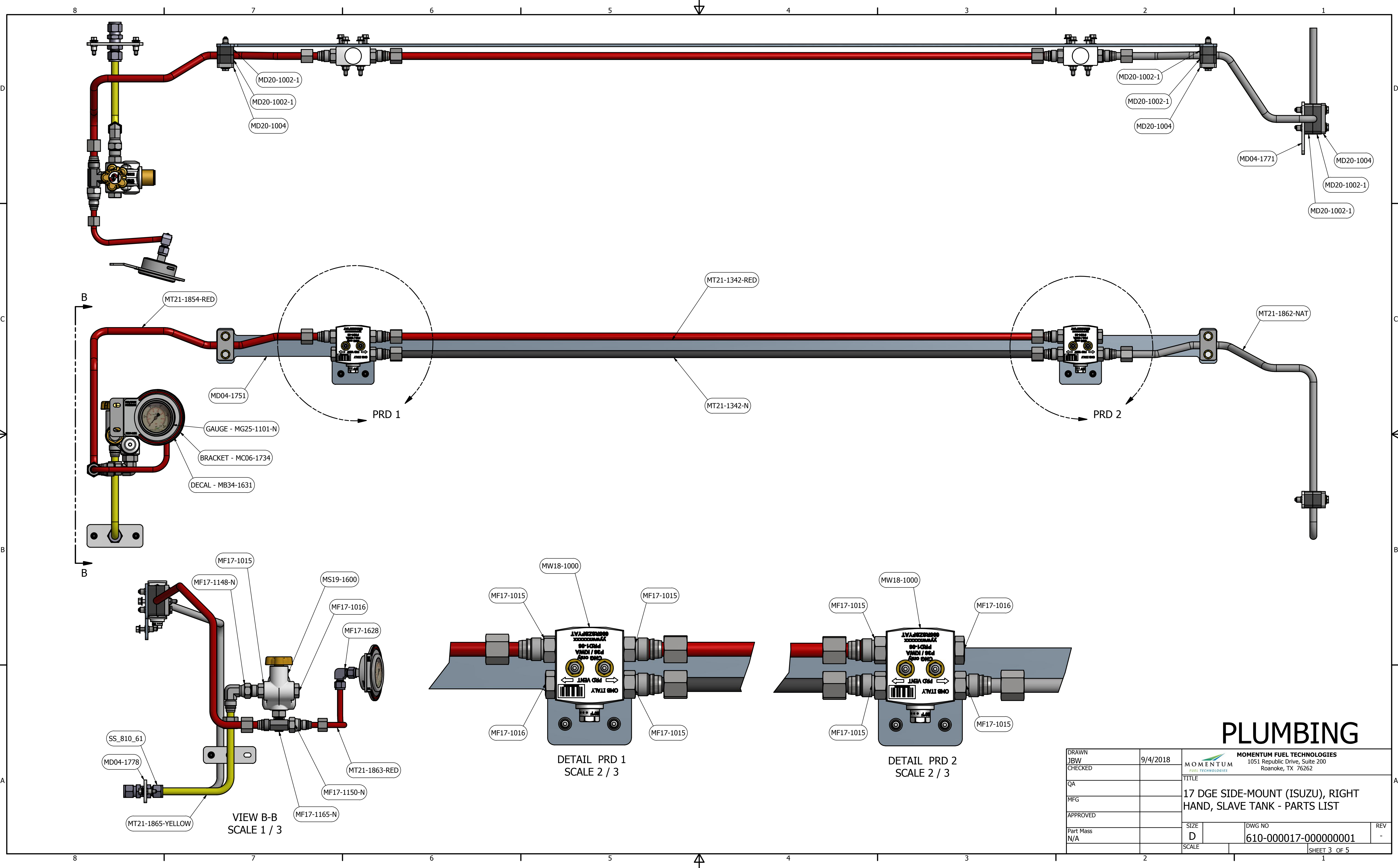
DO NOT SCALE THIS PRINT

DRAWN	9/4/2018	MOMENTUM FUEL TECHNOLOGIES 1051 Republic Drive, Suite 200 Roanoke, TX 76262		
CHECKED		TITLE		
QA		17 DGE SIDE-MOUNT (ISUZU), RIGHT HAND, SLAVE TANK - PARTS LIST		
MFG				
APPROVED				
Part Mass		SIZE	DWG NO	REV
N/A		D	610-000017-000000001	-
SCALE		SHEET 1 OF 5		



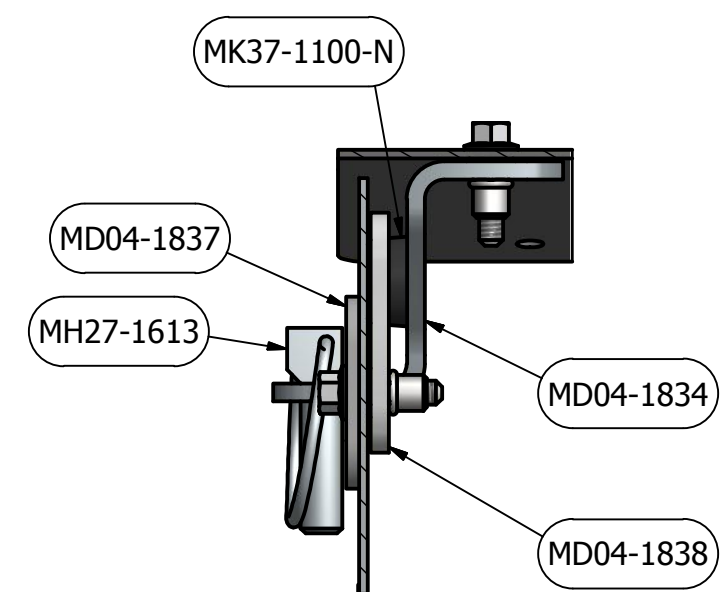
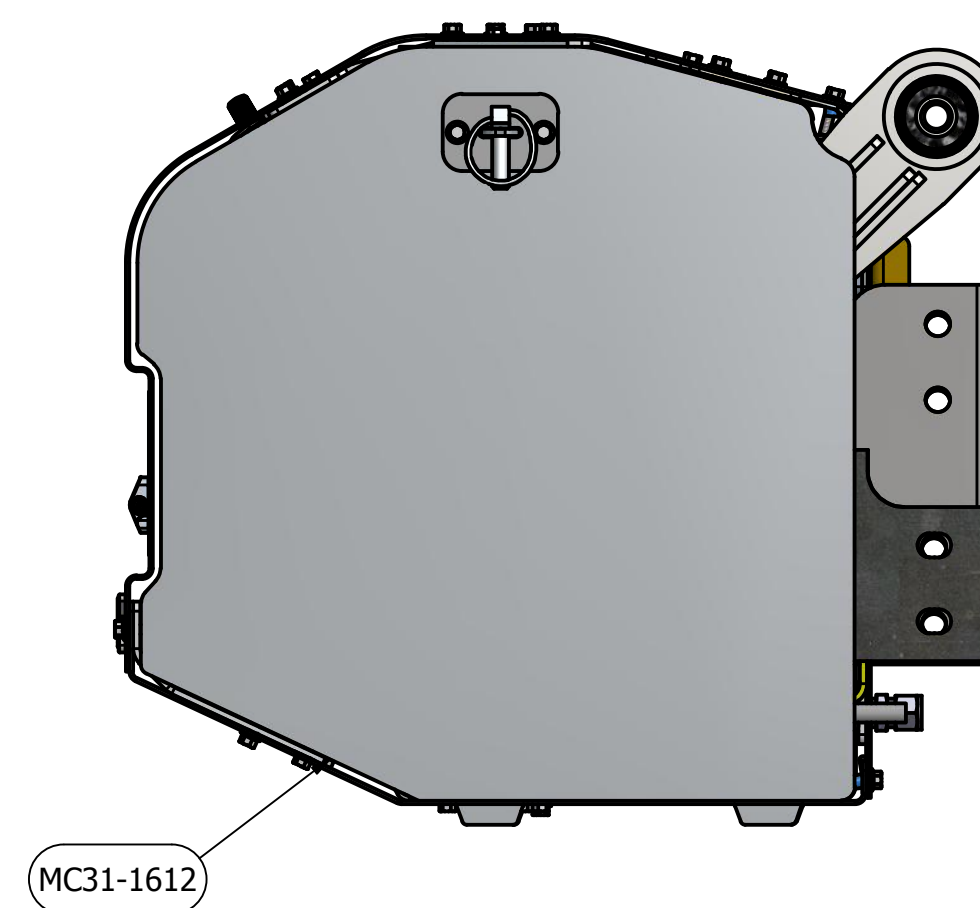
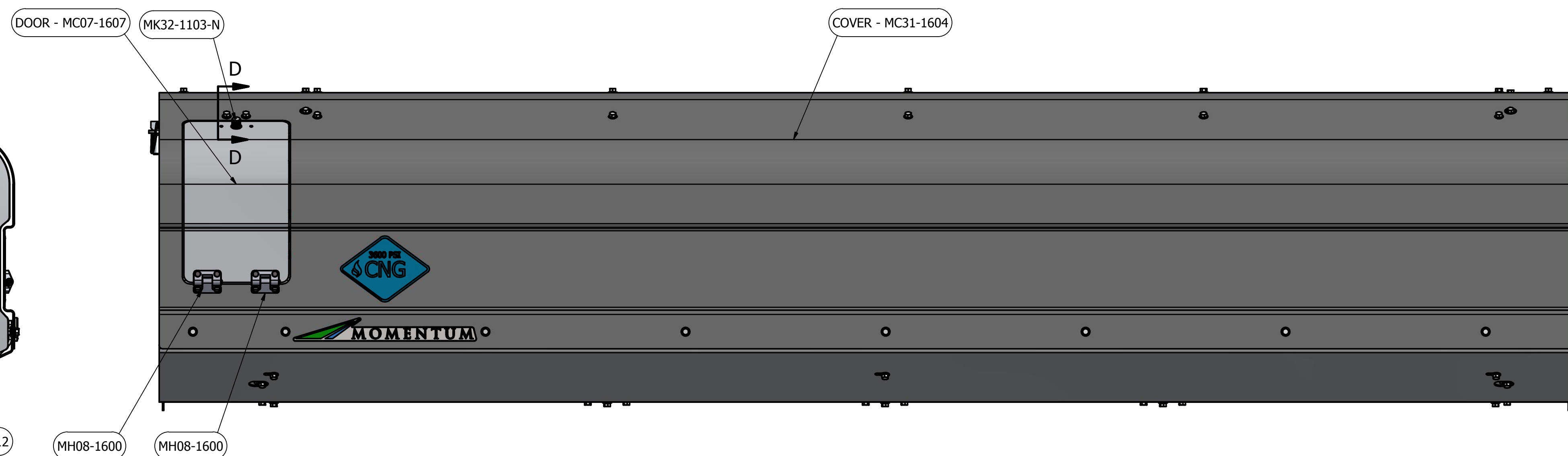
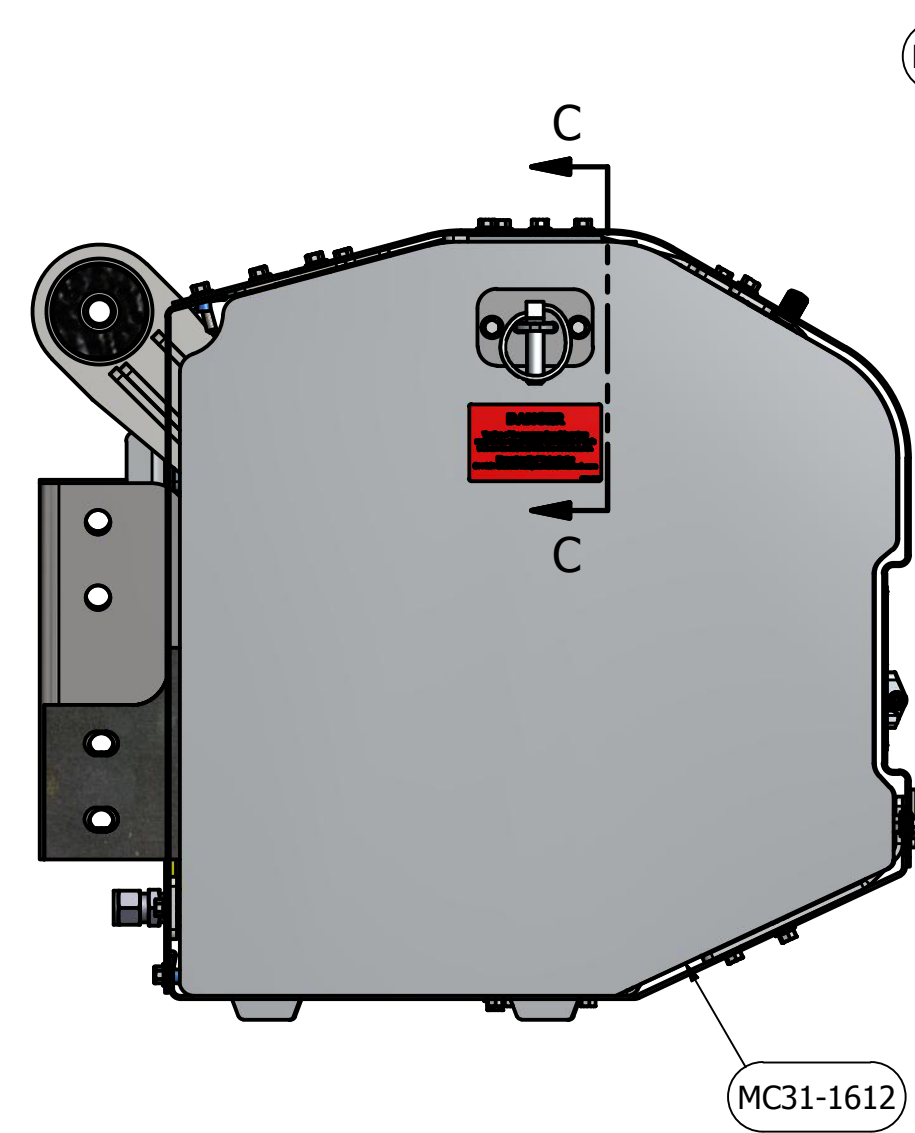
STRUCTURE

DRAWN	9/4/2018	MOMENTUM FUEL TECHNOLOGIES 1051 Republic Drive, Suite 200 Roanoke, TX 76262	
CHECKED		TITLE	
QA		17 DGE SIDE-MOUNT (ISUZU), RIGHT HAND, SLAVE TANK - PARTS LIST	
MFG		SIZE	DWG NO
APPROVED		D	610-000017-00000001
Part Mass		SCALE	REV
N/A			-
			SHEET 2 OF 5

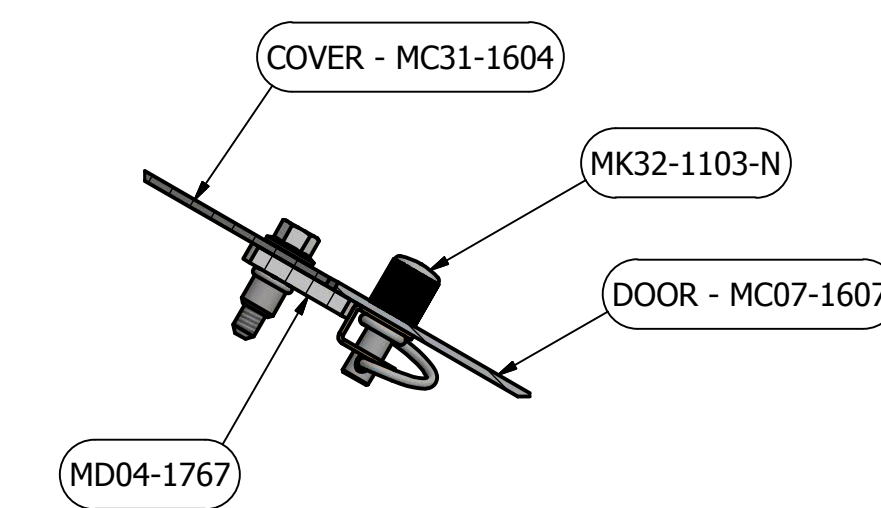
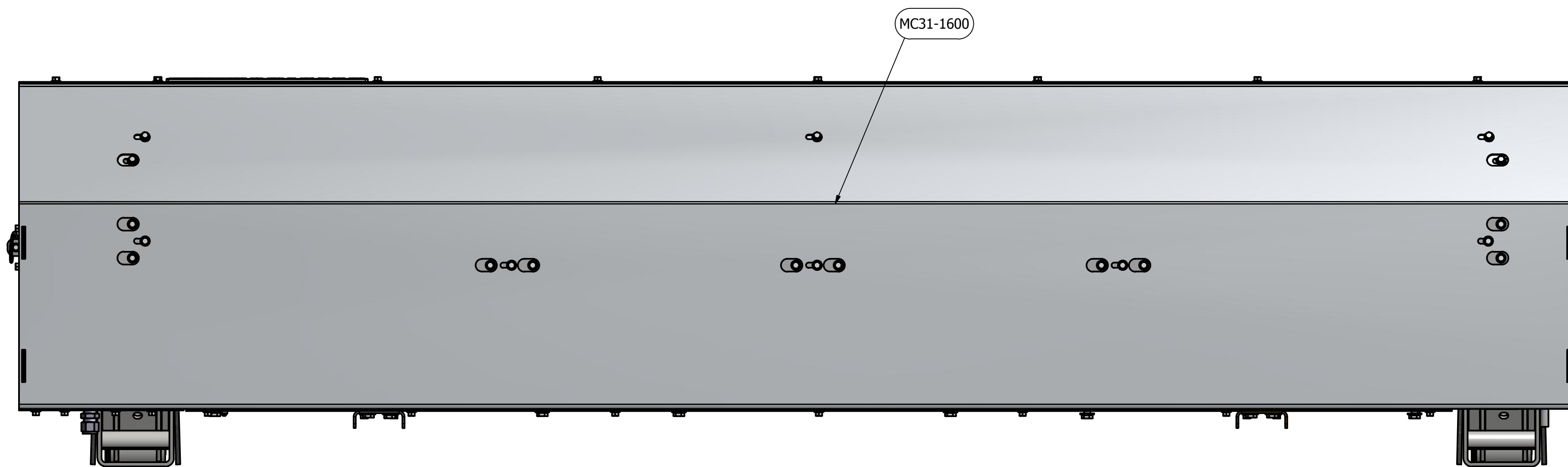


PLUMBING

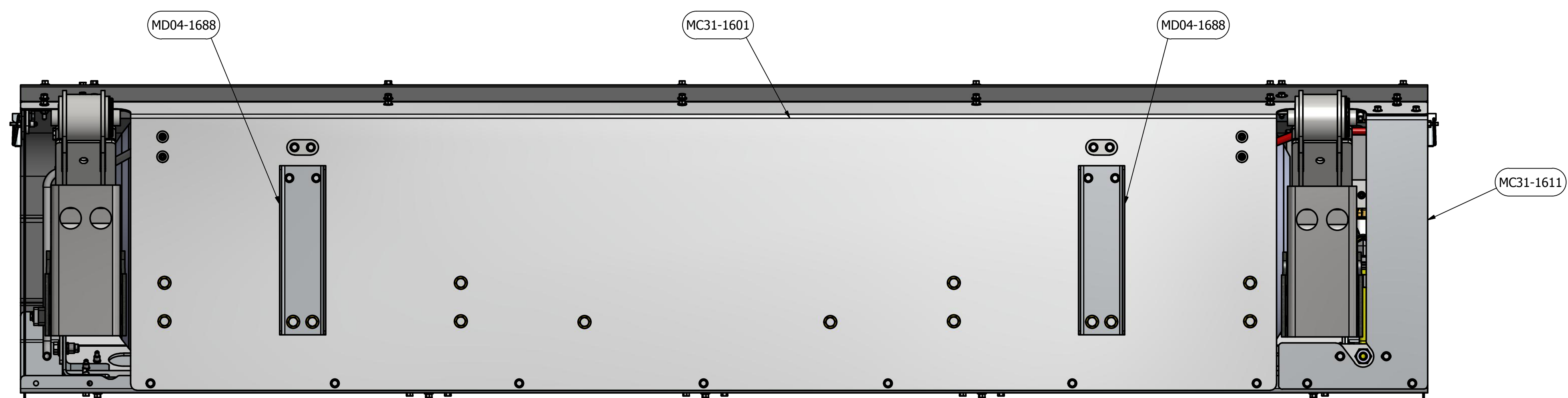
DRAWN	9/4/2018	MOMENTUM FUEL TECHNOLOGIES 1051 Republic Drive, Suite 200 Roanoke, TX 76262	
CHECKED		TITLE	
QA		17 DGE SIDE-MOUNT (ISUZU), RIGHT HAND, SLAVE TANK - PARTS LIST	
MFG		SIZE	DWG NO
APPROVED		D	610-000017-00000001
Part Mass		SCALE	REV
N/A			-
			SHEET 3 OF 5



SECTION C-C
SCALE 1 / 2

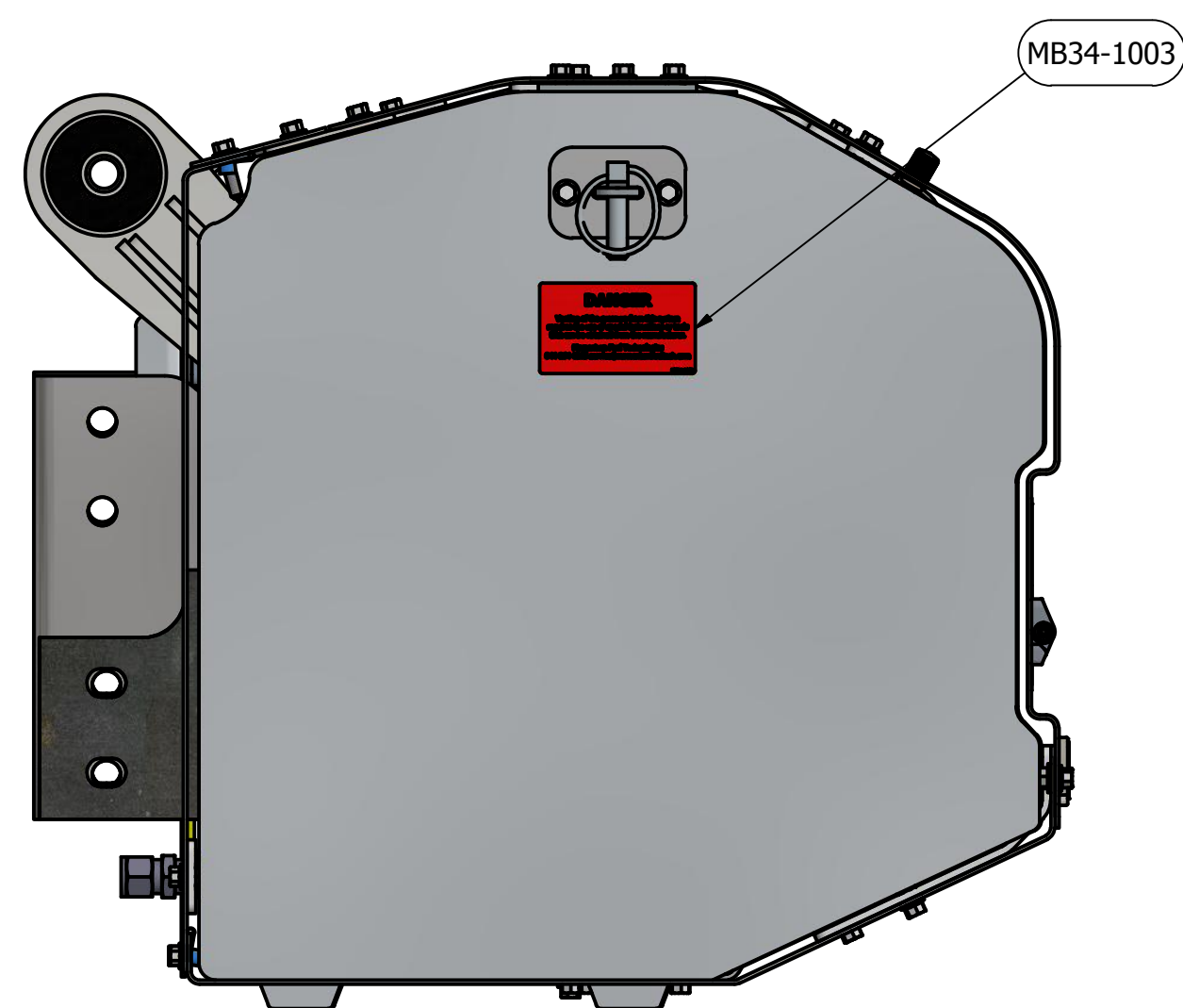


SECTION D-D
SCALE 1 / 2



COVERS/PANELS

DRAWN	9/4/2018	MOMENTUM FUEL TECHNOLOGIES 1051 Republic Drive, Suite 200 Roanoke, TX 76262	
CHECKED		TITLE	
QA		17 DGE SIDE-MOUNT (ISUZU), RIGHT HAND, SLAVE TANK - PARTS LIST	
MFG		SIZE	DWG NO
APPROVED		D	610-000017-00000001
Part Mass		SCALE	REV
N/A			-
		SHEET 4 OF 5	



VIEW A-A
SCALE 1 / 4

DECALS

DRAWN	9/4/2018	 MOMENTUM FUEL TECHNOLOGIES 1051 Republic Drive, Suite 200 Roanoke, TX 76262		
CHECKED		TITLE		
QA		17 DGE SIDE-MOUNT (ISUZU), RIGHT HAND, SLAVE TANK - PARTS LIST		
MFG		SIZE	DWG NO	REV
APPROVED		D	610-000017-00000001	-
Part Mass		SCALE	SHEET 5 OF 5	
N/A				