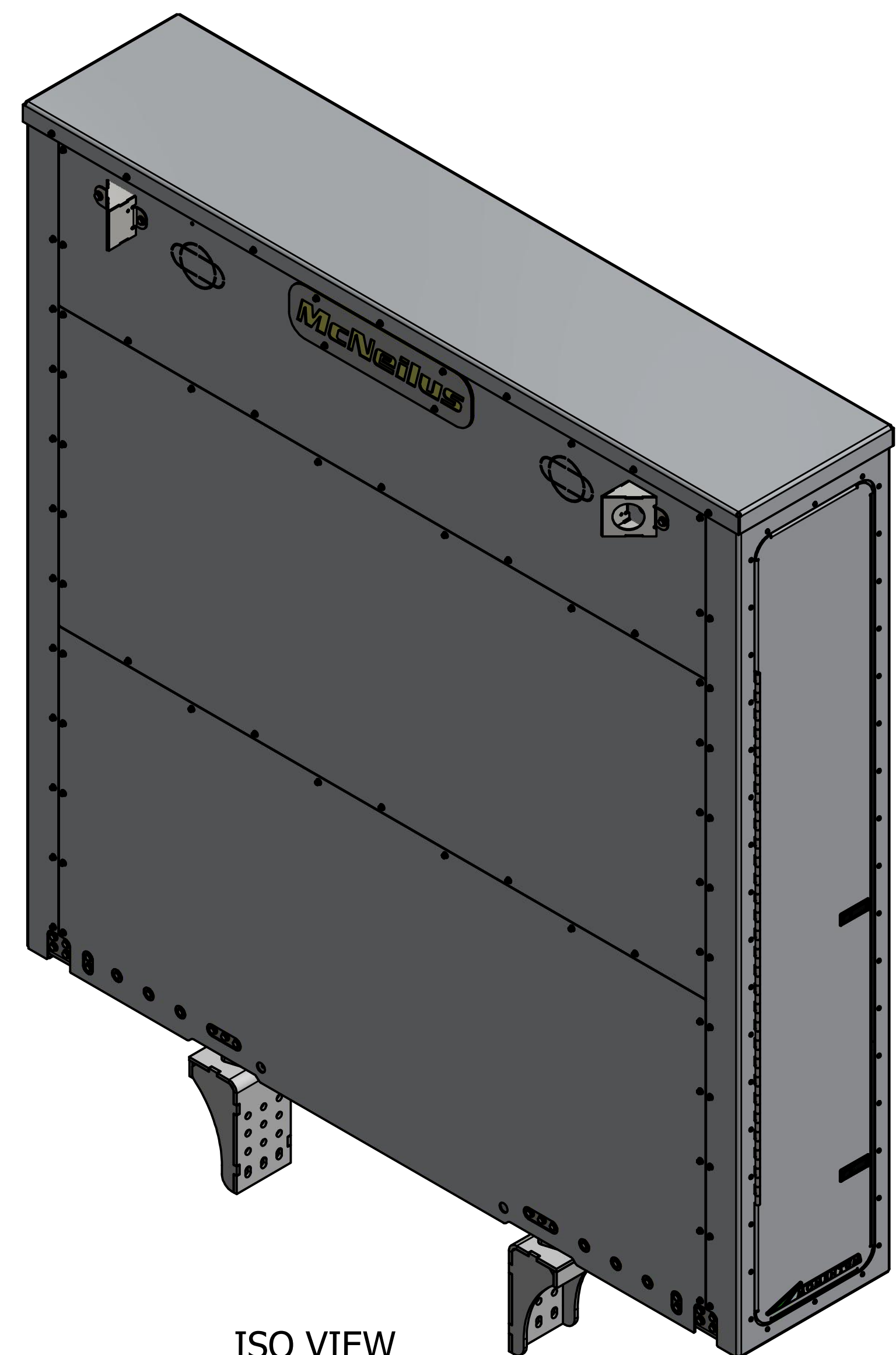


PARTS LIST			
ITEM	QTY	PART NUMBER	DESCRIPTION
1	5	MA01-1708	TANK-16X82.5, 200 LITER, LUXFER TYPE III
2	2	MB34-1001	Emblem - Momentum
3	2	MB34-1001-DECAL	Label - Serial Number TDECAL - MOMENTUM EMBLEM
4	1	MB34-1007	Label - Serial Number Tag
5	1	MB34-1100-N	DECAL - 3600 PSI CNG DIAMOND (A)
6	14	MB34-1109-N	DECAL - HIGH PRESSURE PRD (A)
7	6	MB34-1110-N	DECAL - HIGH PRESSURE CNG (A)
8	1	MB34-1145-N	DECAL - PRD VENT LOCATION (NFPA)
9	1	MB34-1146-N	DECAL - 70 DGE BOC SYSTEM PRESSURE
10	2	MB37-1000	Adhesive, Die Cut 45mil VHB for emblems
11	2	MC06-1119-N	TOP OUTSIDE PANEL 70 DGE BOC
12	1	MC06-1121-N	ROOF CAP 70 DGE BOC
13	1	MC06-1184-N	TOP OUTSIDE PANEL 87 DGE
14	1	MC06-1688	BOTTOM CLOSE OUT PANEL OUTSIDE ENDS
15	2	MC06-1689	BOTTOM CLOSE OUT PANEL INSIDE ENDS
16	1	MC06-1690	BOTTOM CLOSE OUT PANEL MIDDLE
17	1	MC06-1782	END PANEL RH 87 DGE BOC
18	1	MC06-1783	END PANEL LH 87 DGE BOC
19	2	MC06-1824	BOTTOM OUTSIDE PANEL 87 DGE BOC
20	1	MC06-1831	NAME PLATE - MCNEILUS
21	1	MC06-1832	NAME PLATE - BACKING, MCNEILUS
22	1	MC06-1911	PANEL - BOTTOM CLOSE OUT, OUTSIDE ENDS, HARNESS GROMMET PROVISION
23	2	MC06-1919	WELDMENT - LIGHT BRACKET, MARKER, MCNEILUS
24	1	MC06-1933	COVER - FRONT, TOP, HEIL FOB
25	1	MC07-1146L-N	Door Panel, LH, 87 DGE BOC
26	1	MC07-1146R-N	Door Panel, RH, 87 DGE BOC
27	5	MD04-1000	BUSHING-NECK BLOCK
28	6	MD04-1113-N	SPACER-YORK PRD, ROOF MOUNT
29	6	MD04-1137-N	U-CLIP PANEL SPACERS 70DGE BOC
30	2	MD04-1157-N	TOP SPACER FOR ROOF 70 DGE BOC
31	4	MD04-1197-N	3/8" PANEL SPACER 87 DGE BOC
32	2	MD05-1101-N	Sheer Panel, 70 DGE BOC
33	4	MD09-1107-N	Door Jam, Z Style, 87 DGE BOC
34	2	MD18-1105-N	TUBE CLAMP BRACKET SHORT
35	1	MD18-1107-N	Lower Tube Clamp Bracket
36	1	MD18-1112-N	TUBE CLAMP BRACKET LONG
37	4	MD20-1002	CLAMP - TUBE, SINGLE 1/2"
38	4	MD20-1004	Top Plate, Single Tube Clamp
39	1	MD20-1007	CLAMP - TUBE, DOUBLE, 1/2"
40	1	MD20-1008	PLATE - CLAMP, DOUBLE 1/2"
41	1	MD23-1158-N	DE-FUEL MANIFOLD AND TANK PRESSURE BRACKET
42	5	ME04-1058	Structure - Neck Block, for Insert, Anodized Blue, Sliding End
43	10	ME04-1128-N	Structure - Neck Block, Threaded, Anodized Blue
44	10	ME04-1193-N	ANGLE, TANK SUPPORT, TOP, 70 DGE BOC
45	2	ME04-1244L-N	LEFT T-CORNER SUPPORT 87 DGE BOC
46	2	ME04-1244R-N	RIGHT T-CORNER SUPPORT 87 DGE BOC
47	2	ME04-1715	LOWER SUPPORT ANGLE 87DGE
48	12	ME04-1874	ANGLE - TANK SUPPORT, BOTTOM, MOD, HEIL FOB
49	6	ME04-2142	ANGLE SUPPORT, PRD
50	4	ME26-1145-N	MOUNTING PLATE SPACER
51	4	ME26-1613	NUT CAPTURE PLATE 87DGE BOC, 22004-15 BEARING
52	2	ME26-1625	MOUNTING PLATE 87 DGE
53	4	ME26-1626	MOUNTING SPACER PLATE
54	2	ME26-1629	BRACKET-INSIDE LOWER SUPPORT ANGLE 87 DGE BOC
55	2	ME26-1654	FRONT MOUNTING BRACKET 87DGE BOC AUTOCAR
56	1	ME26-1656L	REAR LEFT MOUNTING BRACKET 87DGE BOC AUTOCAR
57	1	ME26-1656R	REAR RIGHT MOUNTING BRACKET 87DGE BOC AUTOCAR
58	1	MF14-1100-N	PLUG - #4 ORING BOSS
59	12	MF17-1014	ADAPTER - STRAIGHT - #6 ORING BOSS X #8 ORFS
60	18	MF17-1015	ADAPTER - STRAIGHT - #8 ORING BOSS X #8 ORFS
61	7	MF17-1016	PLUG - #8 ORING BOSS
62	1	MF17-1019	ADAPTER - 90° ELBOW - #6 ORING BOSS X #6 ORFS
63	2	MF17-1023	FITTING - UNION TEE - 8 X-8 X-8
64	1	MF17-1102-N	BULKHEAD-UNION, 1/2" ORFS

PARTS LIST			
ITEM	QTY	PART NUMBER	DESCRIPTION
65	3	MF17-1114-N	FITTING - 90 DEGREE - 8 X-8
66	1	MF17-1141-N	ADAPTER - STRAIGHT #6 (3/8") ORFS X #6 (3/8") TUBE
67	2	MF17-1148-N	FITTING - 90° ELBOW-8 ORFS MALE X -8 ORFS FEMALE SWIVEL
68	11	MF17-1160-N	PLUG - #6, 9/16-18, ORB, HOLLOW HEX PLUG
69	8	MF17-1165-N	FITTING - SWIVEL NUT BRANCH TEE, #8 ORFS
70	3	MF18-1000-RED	CAP - VENT, HEAVY DUTY, 0.5"
71	1	MG04-1600	SUPPORT - GAUGE MOUNT
72	1	MG25-1607	GAUGE, 0-6000 PSI, 2.5" DIAMETER PANEL MOUNT, 3/8" TUBE
73	2	MH08-1100-N	HARDWARE - HINGE, BOC LONG
74	19	MH20-1003	(VMI) P-Clip - 1/2 Dia Vnl .281 Hole
75	1	MH24-1606	1/2" ID X 1-1/2" OD RUBBER GROMMET, 3/16" PANEL THICKNESS
76	53	MH27-1001-004-20-075-YZ-008-FL	(VMI) 1/4"-20 X .75" HEX FLANGE BOLT, GR8 YZ
77	73	MH27-1001-004-20-100-YZ-008-FL	(VMI) 1/4"-20 X 1.00" HEX FLANGE BOLT, GR8 YZ
78	68	MH27-1001-004-20-100-YZ-XXX-FH	(VMI) SCREW - 1/4"-20 x 1" Phillips Drive Flat Head, YZ
79	96	MH27-1001-004-20-150-YZ-008-FL	(VMI) 1/4"-20 X 1.5" FLANGE BOLT, GR8 YZ
80	2	MH27-1001-004-20-225-YZ-008-HH	(VMI) HX CP PL USS 1/4X2-1/4
81	19	MH27-1001-004-20-250-YZ-008-HH	(VMI) HX CP PL USS 1/4X2-1/2
82	200	MH27-1001-006-16-150-YZ-008-HH	(VMI) HCS 3/8-16 x 1.5 YZ8
83	24	MH27-1001-006-16-150-ZN-008-FH	(VMI) 3/8"-16 X 1-1/2" FLAT HEAD SCS
84	28	MH27-1001-006-16-200-YZ-008-HH	(VMI) 3/8"-16 X 2 HEX HEAD BOLT
85	20	MH27-1001-008-13-575-YZ-008-HH	(VMI) 1/2"-13 X 5-3/4" HEX BOLT
86	4	MH27-1001-014-09-300-YZ-008-HH	(VMI) BOLT - 7/8"-9 x 3" L, GR8, YZ, HEX HEAD
87	6	MH27-1001-M06-32-075-SS-188-PH	SCREW- BUTTON HEAD, #6-32 X 3/4" LONG, 18-8 STAINLESS STEEL
88	228	MH27-1003-004-20-YZ-008-NL	(VMI) NYLON LOCKNUT GR.8 1/4-20
89	252	MH27-1003-006-16-YZ-008-NL	(VMI) NYLON LOCKNUT GR.8 3/8-16
90	20	MH27-1003-008-13-YZ-008-FL	(VMI) 1/2"-13 HEX FLANGE NUT
91	4	MH27-1003-014-09-YZ-008-FL	NUT - FLANGE, 7/8"-9, DEFORM LOCKING (VMI)
92	6	MH27-1003-M06-32-SS-008-NL	(VMI) Nut-Lock, Nylon 6-32 S/S
93	249	MH27-1004-004-FL-YZ-008	WASHER - FLAT, 1/4" YELLOW ZINC, HARDENED (GRADE 8)
95	20	MH27-1004-008-FL-YZ-008	WASHER - FLAT, 1/2", YELLOW ZINC, HARDENED (GRADE 8)
96	4	MH27-1004-014-FL-YZ-008	WASHER - 7/8", FLAT, GRADE 8, COATING: YELLOW ZINC
97	486	MH27-1004-M06-FL-SS-188	*Varies*
98	6	MH27-1009	(VMI) 1/4-20 Hex RivNut, max grip .260
99	22	MH27-1014	U-NUT - 1/4" - 20
100	54	MH27-1017	U-NUT 1/4"-20-25/32"
101	80	MH27-1020	HUCK PIN - 3/16" ZINC PLATED, 0.062"-0.625" GRIP
102	80	MH27-1021	HUCK COLLAR - 3/16", ZINC COATED
103	4	MK32-1102-N	DOOR LATCH NON LOCKING
104	6	MK37-1100-N	SPACER - RUBBER, BOC DOOR STOP
105	2	MK37-1104-N	Cable - Lanyard, 1/16, 500 feet on spool
106	4	MK37-1105-N	SLEEVE - CABLE, 3/32" ALUMINUM
107	1	MS12-1001	MANIFOLD - DEFUEL, SIDEMOUNT
108	5	MS19-1602	VALVE - TANK, BETA NEW
109	2	MT21-1272-RED	PRD HIGH PRESSURE TUBE
110	3	MT21-1274-N	PRD VENT TUBE
111	3	MT21-1274-RED	PRD HIGH PRESSURE TUBE
112	1	MT21-1275-RED	PRD HIGH PRESSURE TUBE
113	2	MT21-1276-RED	PRD HIGH PRESSURE TUBE
114	1	MT21-1277-N	PRD HIGH PRESSURE TUBE
115	1	MT21-1287-RED	PRD HIGH PRESSURE TUBE
116	1	MT21-1292-N	PRD VENT TUBE
117	1	MT21-1293-N	PRD VENT TUBE
118	1	MT21-1375-RED	PRD HIGH PRESSURE TUBE
119	1	MT21-1376-RED	PRD HIGH PRESSURE TUBE
120	1	MT21-1378-RED	PRD HIGH PRESSURE TUBE
121	1	MT21-1379-YELLOW	CNG HIGH PRESSURE TUBE
122	1	MT21-1411-RED	TUBING 1/2" - PRD HIGH PRESSURE TUBE, 70 DGE BOC
123	4	MT21-1411-YELLOW	TUBING 1/2" - CNG HIGH PRESSURE TUBE, 70 DGE BOC
124	1	MT21-1417-YELLOW	TUBING, 1/2", 70 DGE BOC
125	1	MT21-1507-RED	PRD HIGH PRESSURE TUBE
126	1	MT21-1508-N	PRD VENT TUBE
127	1	MT21-1509-N	PRD HIGH PRESSURE TUBE
128	6	MW18-1000	PRD - OMB YORK



ISO VIEW
SCALE 1:10

ESTIMATED WEIGHT
EMPTY: 1900 LBS
FILLED: 2400 LBS

PRELIMINARY

I

DO NOT SCALE THIS PRINT

CONFIDENTIAL AND TRADE SECRET INFORMATION OF NATURAL GAS FUEL SYSTEMS, INC. dba MOMENTUM FUEL TECHNOLOGIES
This document and the information in it is confidential, proprietary and trade secret information of Natural Gas Fuel Systems, Inc. dba Momentum Fuel Technologies on behalf of itself and its subsidiaries and affiliates ("Momentum"). It contains information intended only for the person to whom it is transmitted and may not be disclosed to any third party, in whole or in part, or used to manufacture anything shown or referred to herein, without Momentum's express, written permission. This document must be returned to Momentum on request.

Any form of reproduction, dissemination, copying, disclosure, modification, distribution, and or publication of this document and the information contained herein is strictly prohibited.

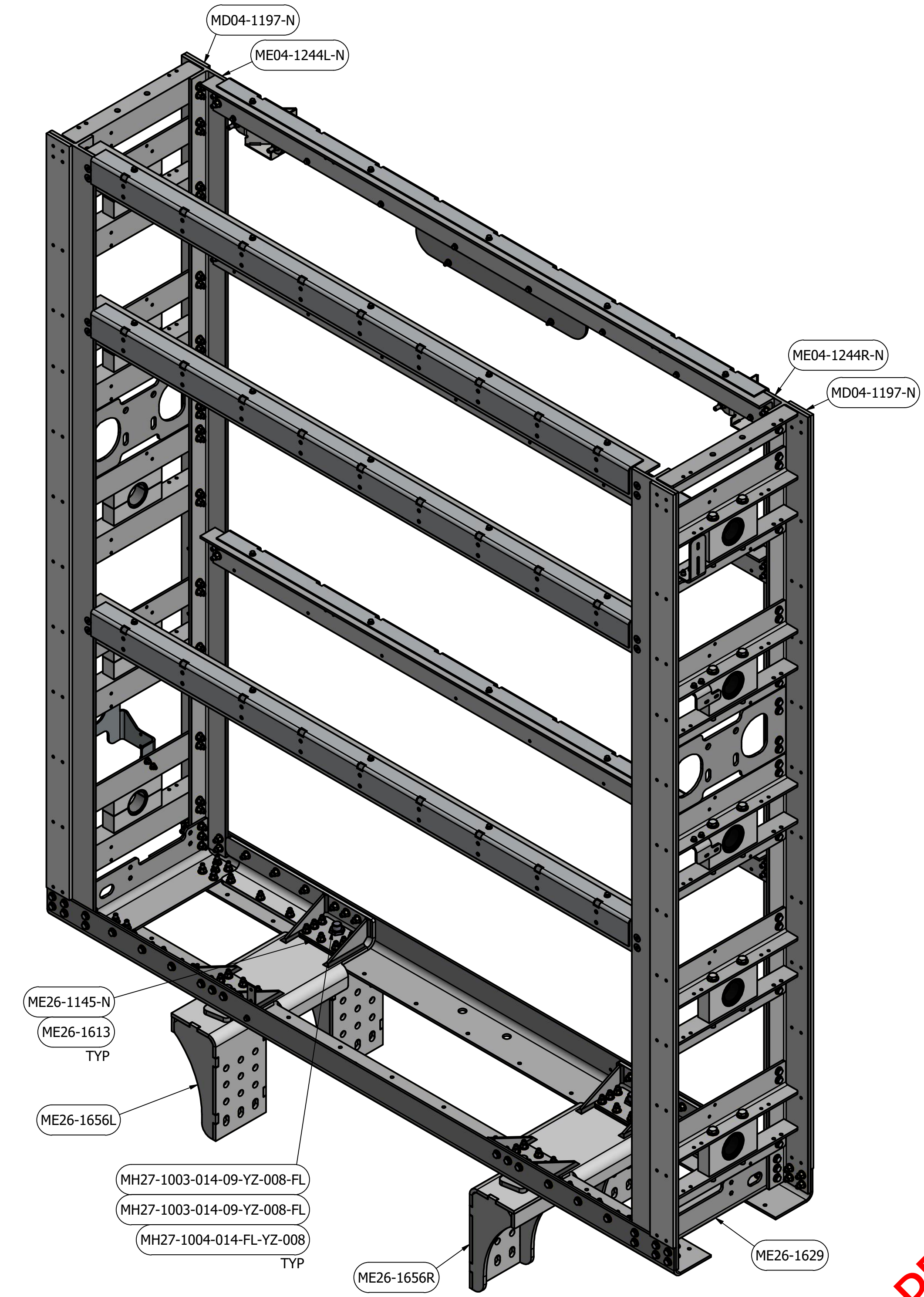
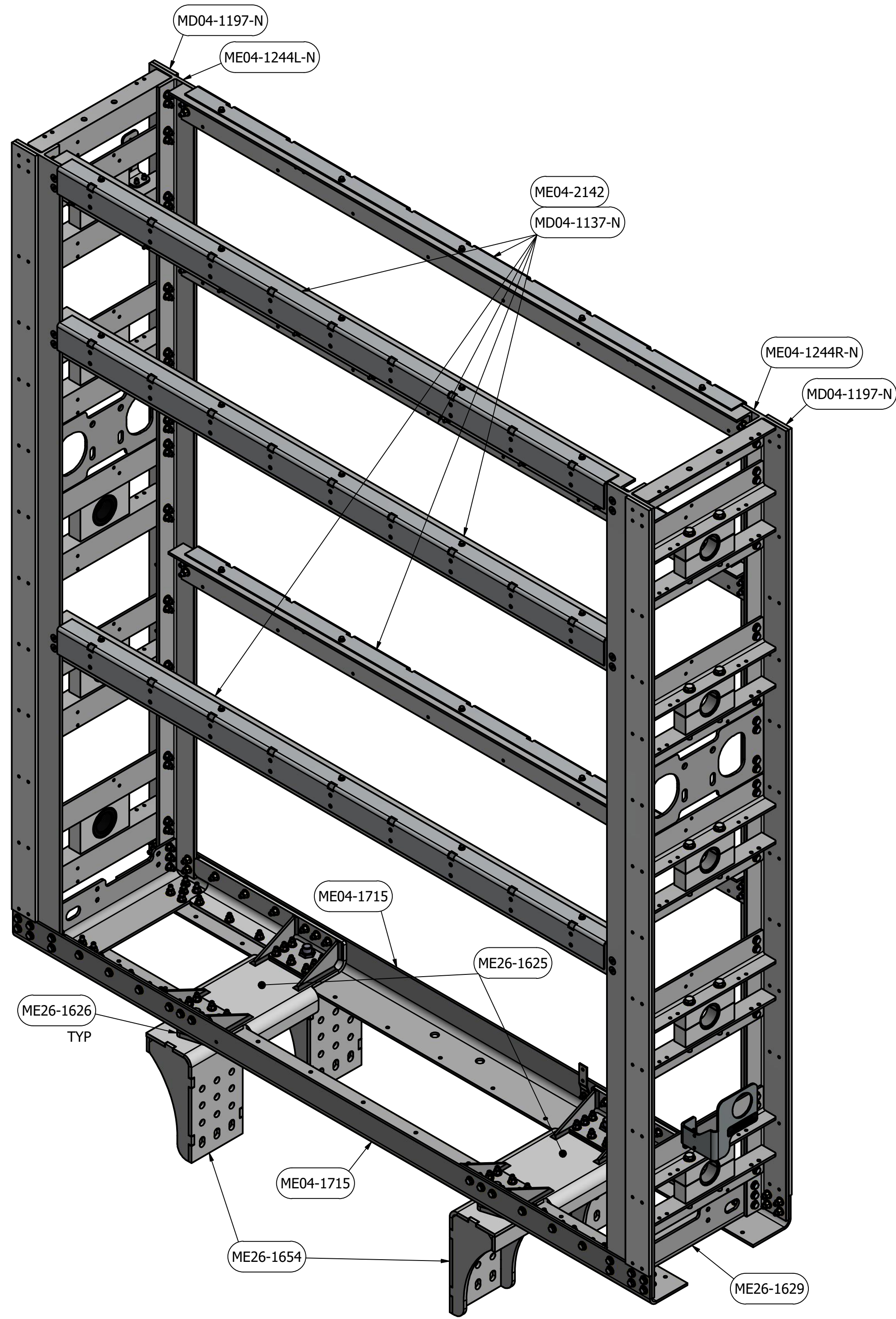
This notice must appear on any complete or partial reproduction of this document or the information contained herein.

Copyright © 2020 Natural Gas Fuel Systems, Inc. dba Momentum Fuel Technologies. All rights reserved.

ALL DIMENSION TOLERANCES UNLESS NOTED
ONE PLACE .X ±.06
TWO PLACES .XX ±.03
THREE PLACES .XXX ±.010
FOUR PLACES .XXXX ±.0010
ANGLES ±1.0°
ALL MACHINED SURFACES TO BE 250 RMS UNLESS NOTED.

NOTES:
1) FOR INFORMATION NOT CONTAINED IN THIS PRINT REFERENCE THE MATH DATA FOR THIS PART (500-008000-2000023-ACX)
2) ALL DIMENSIONS ARE IN INCHES

DRAWN	5/8/2020	MOMENTUM FUEL TECHNOLOGIES 1051 Republic Drive, Suite 200 Roanoke, TX 76262	
KSA CHECKED			
QA		TITLE 80 DGE BOC NON-SLAVE SYSTEM, AUTOCAR ACX, WITH MCNEILUS LOAD LIGHT CUTOUTS, LUXFER TYPE III TANKS	
MFG		SIZE	DWG NO
APPROVED		D	500-008000-2000023-ACX
Part Mass		SCALE	REV
N/A			SHEET 1 OF 6



PRELIMINARY

I

DO NOT SCALE THIS PRINT

CONFIDENTIAL AND TRADE SECRET INFORMATION OF NATURAL GAS FUEL SYSTEMS, INC. dba MOMENTUM FUEL TECHNOLOGIES
 This document and the information in it is confidential, proprietary and trade secret information of Natural Gas Fuel Systems, Inc. dba Momentum Fuel Technologies on behalf of itself and its subsidiaries and affiliates ("Momentum"). It contains information intended only for the person to whom it is transmitted and may not be disclosed to any third party, in whole or in part, or used to manufacture anything shown or referred to herein, without Momentum's express, written permission. This document must be returned to Momentum on request.

Any form of reproduction, dissemination, copying, disclosure, modification, distribution, and or publication of this document and the information contained herein is strictly prohibited.

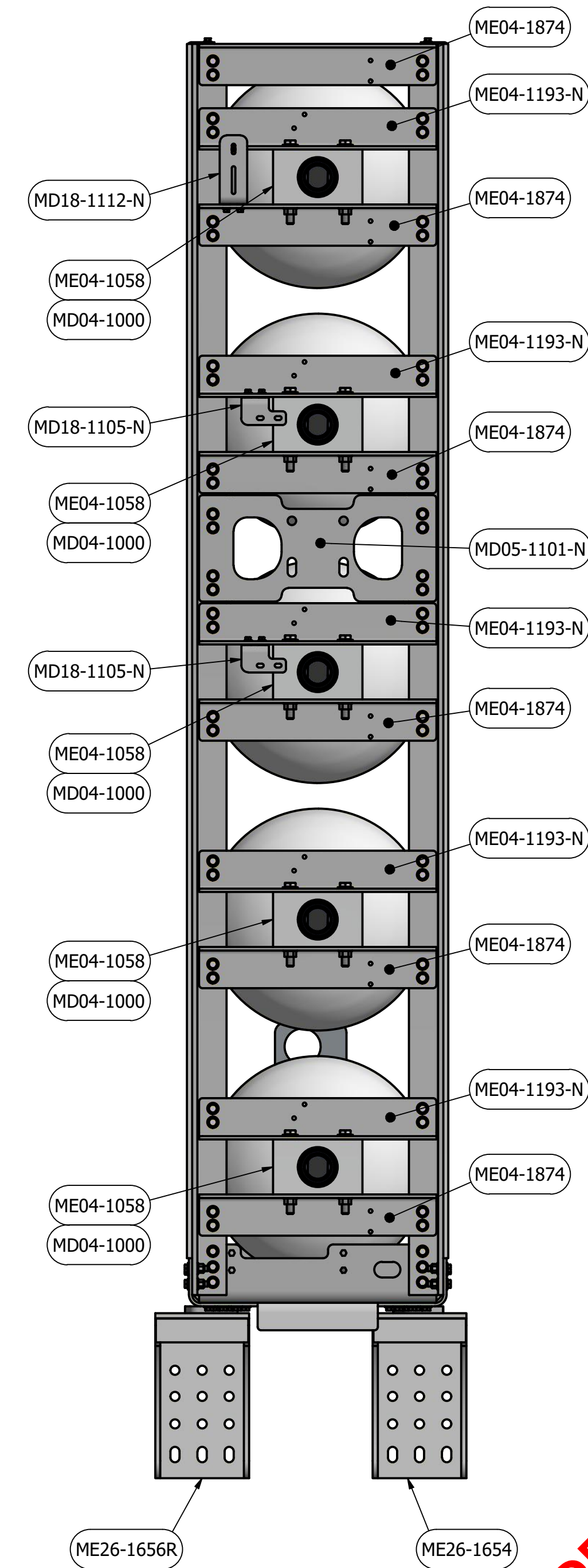
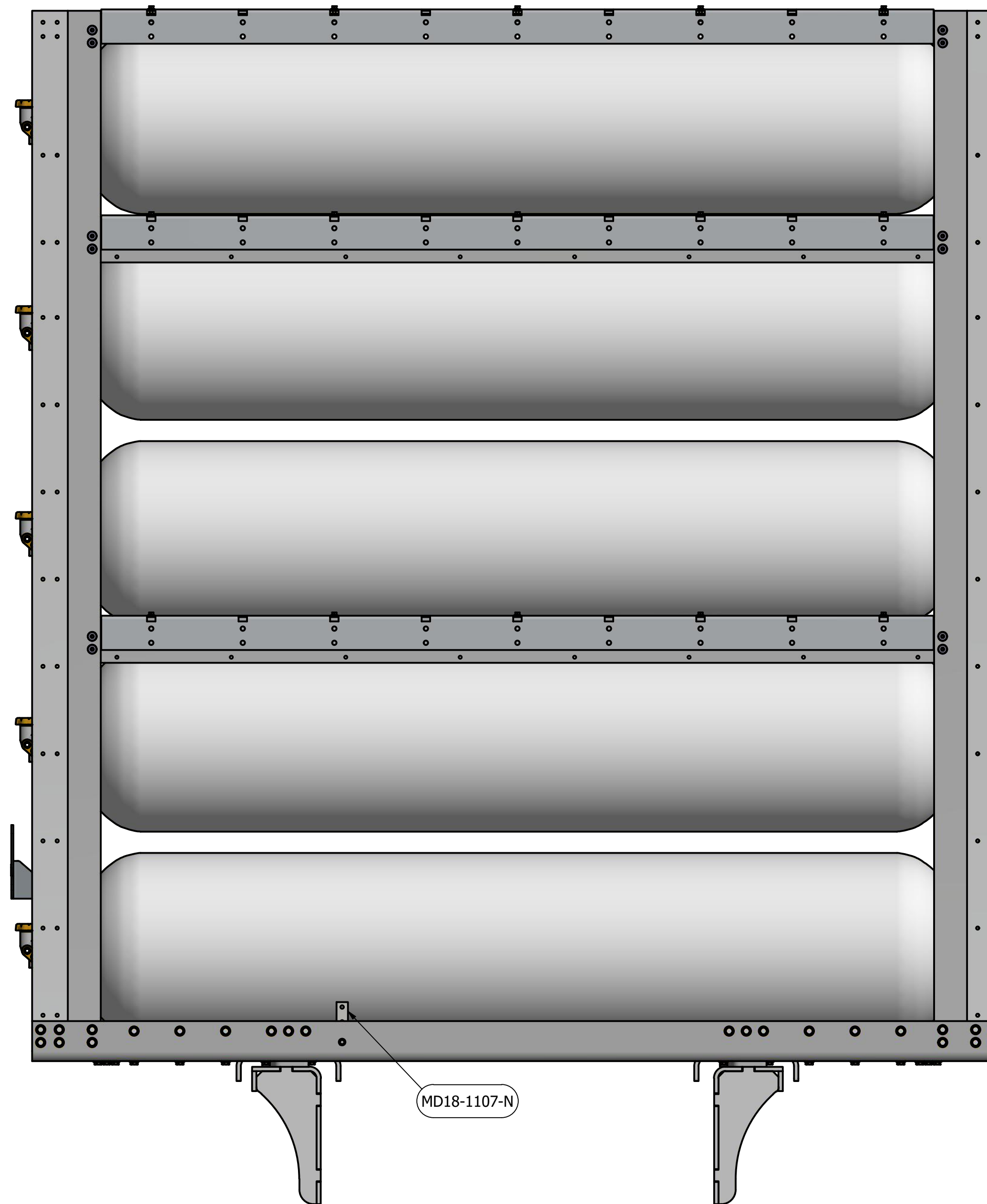
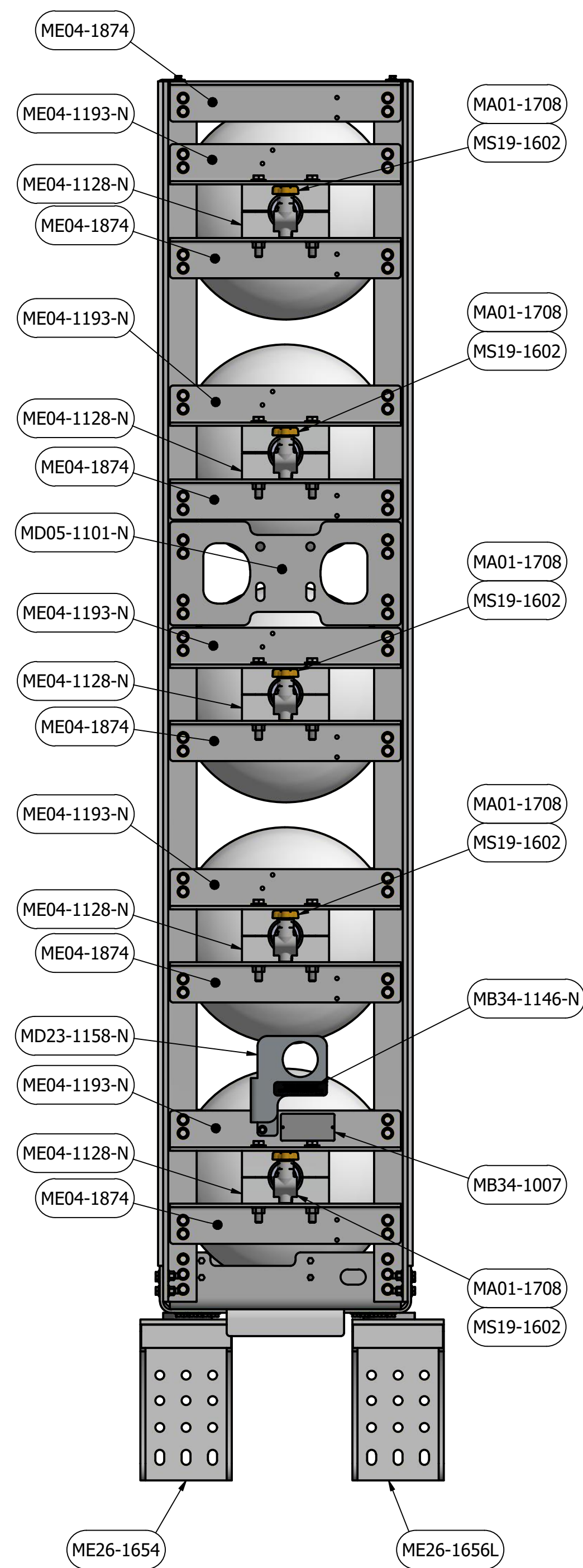
This notice must appear on any complete or partial reproduction of this document or the information contained herein.

Copyright © 2020 Natural Gas Fuel Systems, Inc. dba Momentum Fuel Technologies. All rights reserved.

ALL DIMENSION TOLERANCES UNLESS NOTED
 ONE PLACE .X ±.06
 TWO PLACES .XX ±.03
 THREE PLACES .XXX ±.010
 FOUR PLACES .XXXX ±.0010
 ANGLES ±1.0°
 ALL MACHINED SURFACES TO BE 250 RMS UNLESS NOTED.

- NOTES:
 1) FOR INFORMATION NOT CONTAINED IN THIS PRINT REFERENCE THE MATH DATA FOR THIS PART (500-008000-2000023-ACX)
 2) ALL DIMENSIONS ARE IN INCHES

DRAWN	KSA	5/8/2020	MOMENTUM FUEL TECHNOLOGIES 1051 Republic Drive, Suite 200 Roanoke, TX 76262	
CHECKED			MOMENTUM FUEL TECHNOLOGIES	
QA			TITLE 80 DGE BOC NON-SLAVE SYSTEM, AUTOCAR ACX, WITH MCNEILUS LOAD LIGHT CUTOUTS, LUXFER TYPE III TANKS	
MFG			SIZE	DWG NO
APPROVED			D	500-008000-2000023-ACX
Part Mass	N/A		SCALE	SHEET 2 OF 6



PRELIMINARY

I

DO NOT SCALE THIS PRINT

CONFIDENTIAL AND TRADE SECRET INFORMATION OF NATURAL GAS FUEL SYSTEMS, INC. dba MOMENTUM FUEL TECHNOLOGIES
 This document and the information in it is confidential, proprietary and trade secret information of Natural Gas Fuel Systems, Inc. dba Momentum Fuel Technologies on behalf of itself and its subsidiaries and affiliates ("Momentum"). It contains information intended only for the person to whom it is transmitted and may not be disclosed to any third party, in whole or in part, or used to manufacture anything shown or referred to herein, without Momentum's express, written permission. This document must be returned to Momentum on request.

Any form of reproduction, dissemination, copying, disclosure, modification, distribution, and or publication of this document and the information contained herein is strictly prohibited.

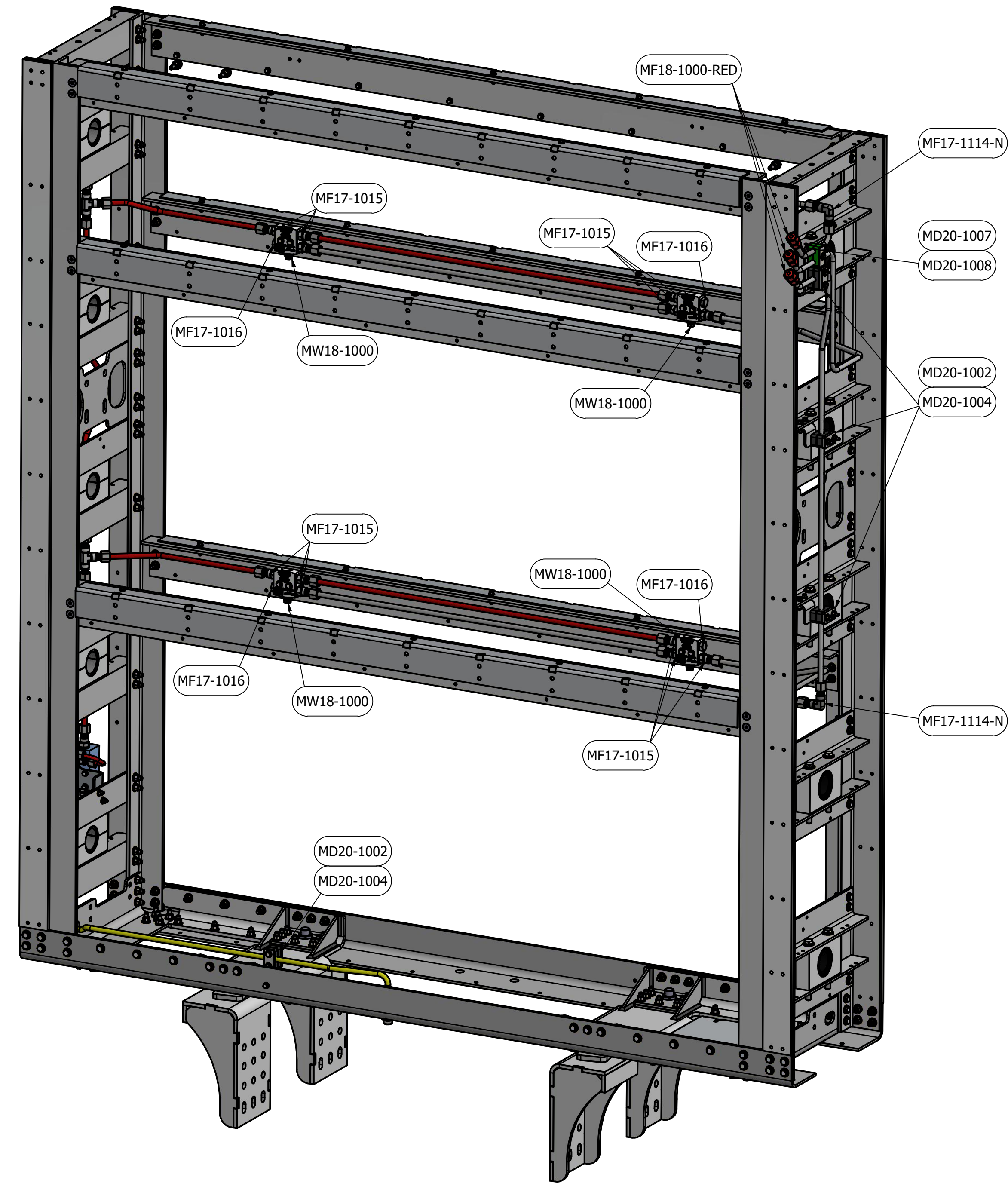
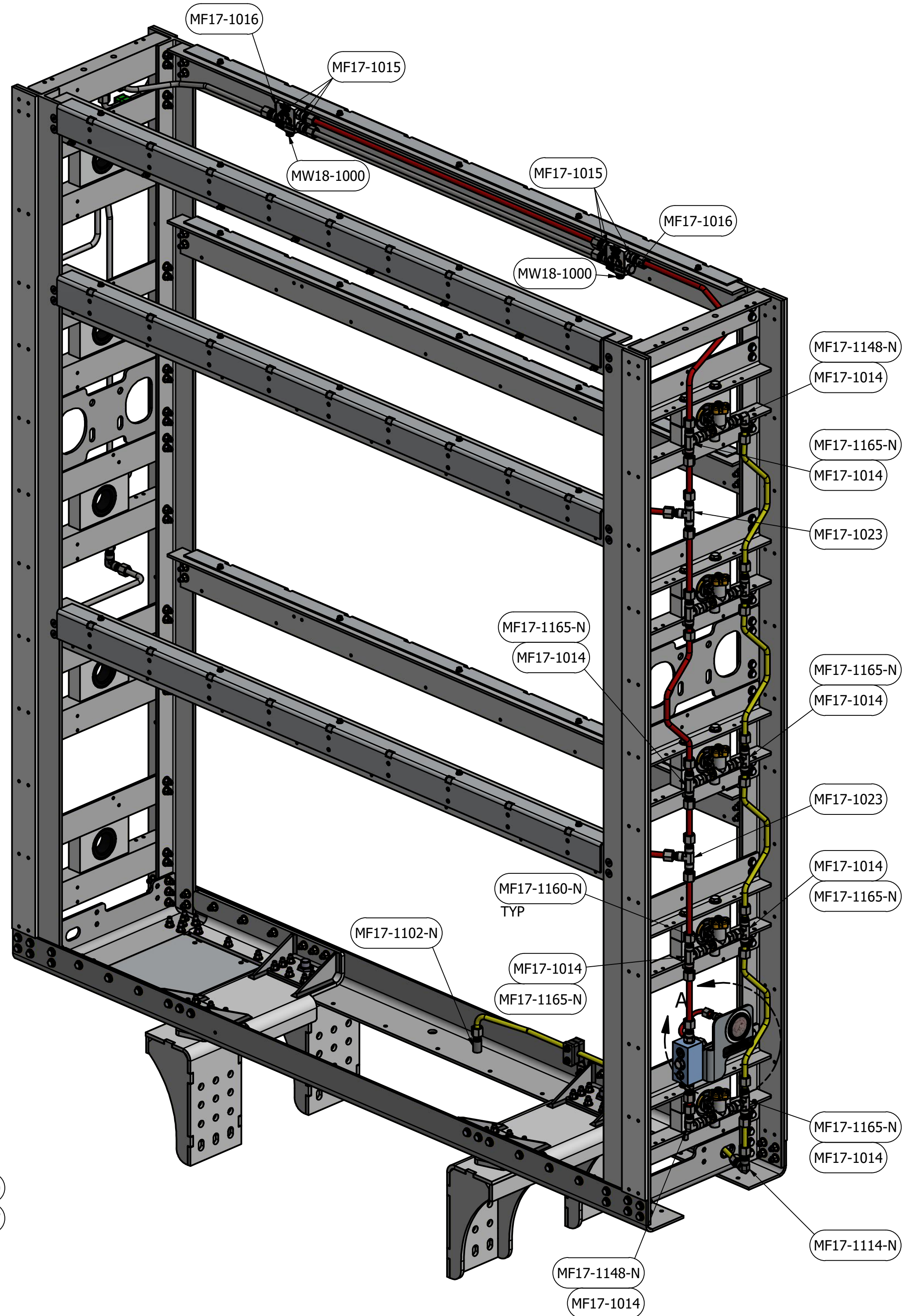
This notice must appear on any complete or partial reproduction of this document or the information contained herein.

Copyright © 2020 Natural Gas Fuel Systems, Inc. dba Momentum Fuel Technologies. All rights reserved.

ALL DIMENSION TOLERANCES UNLESS NOTED
 ONE PLACE .X ±.06
 TWO PLACES .XX ±.03
 THREE PLACES .XXX ±.010
 FOUR PLACES .XXXX ±.0010
 ANGLES ±1.0°
 ALL MACHINED SURFACES TO BE 250 RMS UNLESS NOTED.

NOTES:
 1) FOR INFORMATION NOT CONTAINED IN THIS PRINT REFERENCE THE MATH DATA FOR THIS PART (500-008000-2000023-ACX)
 2) ALL DIMENSIONS ARE IN INCHES

DRAWN	KSA	5/8/2020	MOMENTUM FUEL TECHNOLOGIES 1051 Republic Drive, Suite 200 Roanoke, TX 76262		
CHECKED					
QA			TITLE 80 DGE BOC NON-SLAVE SYSTEM, AUTOCAR ACX, WITH MCNEILUS LOAD LIGHT CUTOUTS, LUXFER TYPE III TANKS		
MFG					
APPROVED			SIZE	DWG NO	REV
Part Mass	N/A		D	500-008000-2000023-ACX	
SCALE					SHEET 3 OF 6



PRELIMINARY

I

DO NOT SCALE THIS PRINT

DETAIL A
SCALE 1 / 4

CONFIDENTIAL AND TRADE SECRET INFORMATION OF NATURAL GAS FUEL SYSTEMS, INC. dba MOMENTUM FUEL TECHNOLOGIES
 This document and the information in it is confidential, proprietary and trade secret information of Natural Gas Fuel Systems, Inc. dba Momentum Fuel Technologies on behalf of itself and its subsidiaries and affiliates ("Momentum"). It contains information intended only for the person to whom it is transmitted and may not be disclosed to any third party, in whole or in part, or used to manufacture anything shown or referred to herein, without Momentum's express, written permission. This document must be returned to Momentum on request.

Any form of reproduction, dissemination, copying, disclosure, modification, distribution, and or publication of this document and the information contained herein is strictly prohibited.

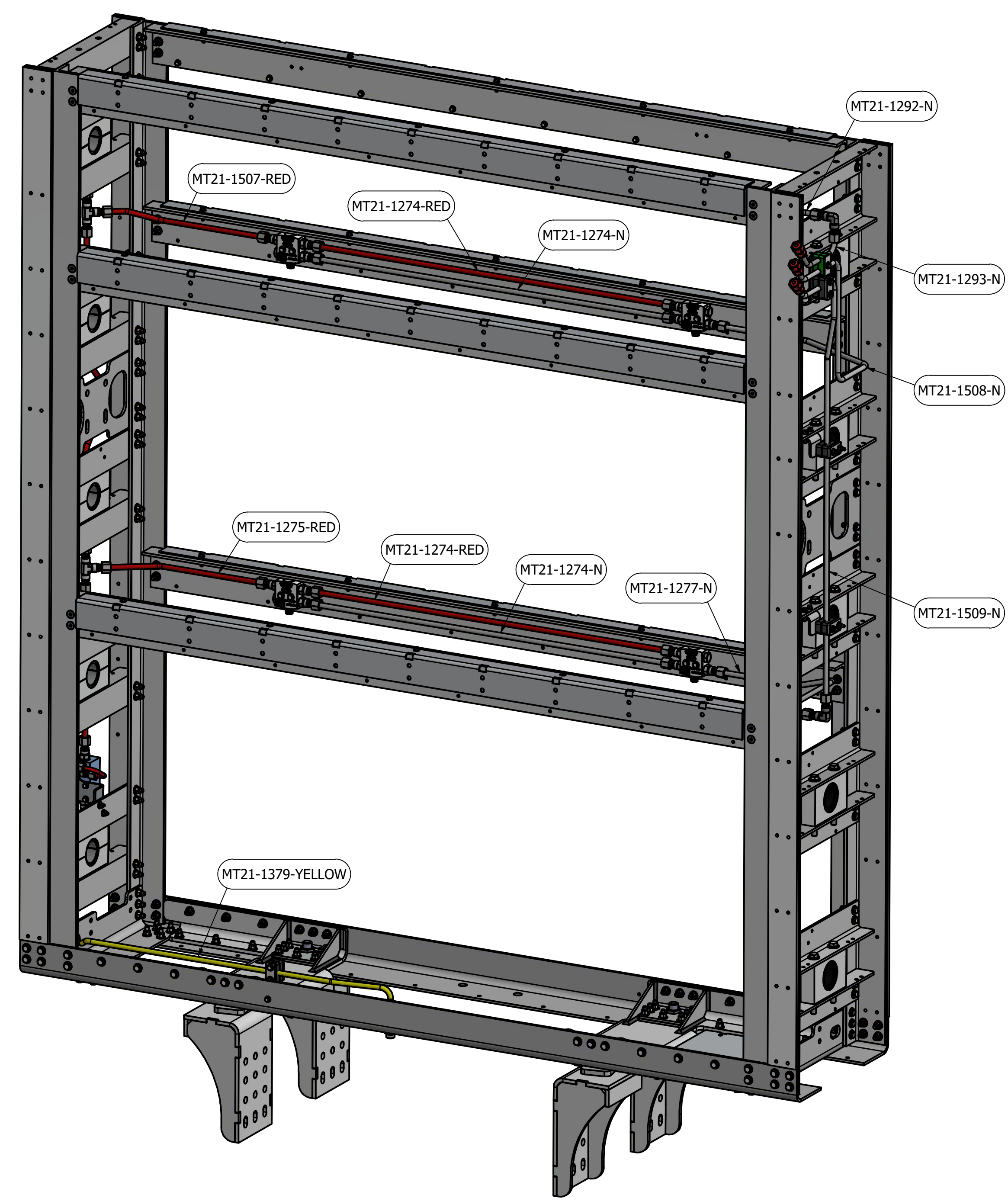
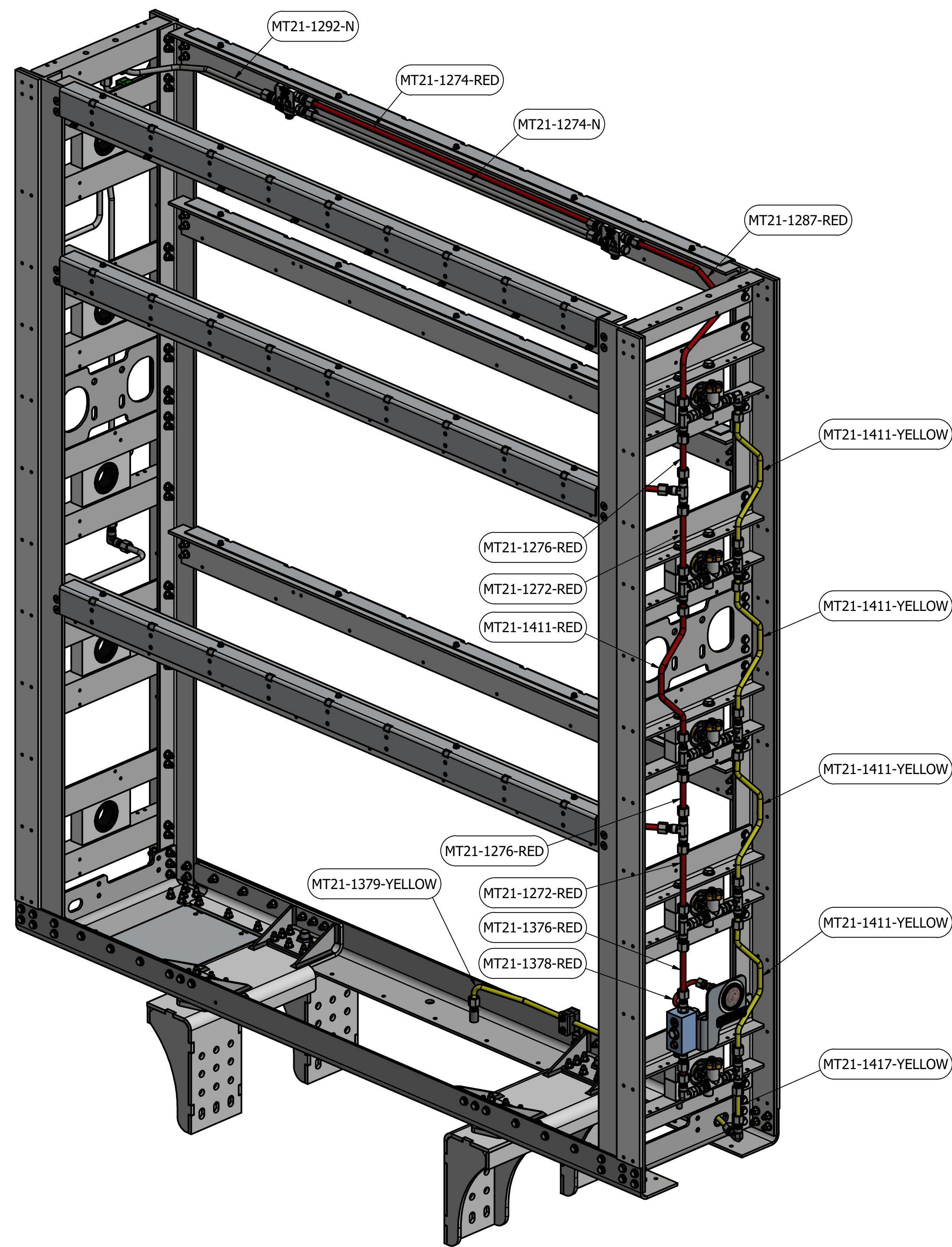
This notice must appear on any complete or partial reproduction of this document or the information contained herein.

Copyright © 2020 Natural Gas Fuel Systems, Inc. dba Momentum Fuel Technologies. All rights reserved.

ALL DIMENSION TOLERANCES UNLESS NOTED
 ONE PLACE .X ±.06
 TWO PLACES .XX ±.03
 THREE PLACES .XXX ±.010
 FOUR PLACES .XXXX ±.0010
 ANGLES ±1.0°
 ALL MACHINED SURFACES TO BE 250 RMS UNLESS NOTED.

NOTES:
 1) FOR INFORMATION NOT CONTAINED IN THIS PRINT REFERENCE THE MATH DATA FOR THIS PART (500-008000-2000023-ACX)
 2) ALL DIMENSIONS ARE IN INCHES

DRAWN	KSA	5/8/2020	MOMENTUM FUEL TECHNOLOGIES 1051 Republic Drive, Suite 200 Roanoke, TX 76262		
CHECKED					
QA			TITLE 80 DGE BOC NON-SLAVE SYSTEM, AUTOCAR ACX, WITH MCNEILUS LOAD LIGHT CUTOUTS, LUXFER TYPE III TANKS		
MFG					
APPROVED			SIZE	DWG NO	REV
Part Mass	N/A		D	500-008000-2000023-ACX	
SCALE					SHEET 4 OF 6



PRELIMINARY

I

DO NOT SCALE THIS PRINT

CONFIDENTIAL AND TRADE SECRET INFORMATION OF NATURAL GAS FUEL SYSTEMS, INC. dba MOMENTUM FUEL TECHNOLOGIES
 This document and the information in it is confidential, proprietary and trade secret information of Natural Gas Fuel Systems, Inc. dba Momentum Fuel Technologies on behalf of itself and its subsidiaries and affiliates ("Momentum"). It contains information intended only for the person to whom it is transmitted and may not be disclosed to any third party, in whole or in part, or used to manufacture anything shown or referred to herein, without Momentum's express, written permission. This document must be returned to Momentum on request.

Any form of reproduction, dissemination, copying, disclosure, modification, distribution, and or publication of this document and the information contained herein is strictly prohibited.

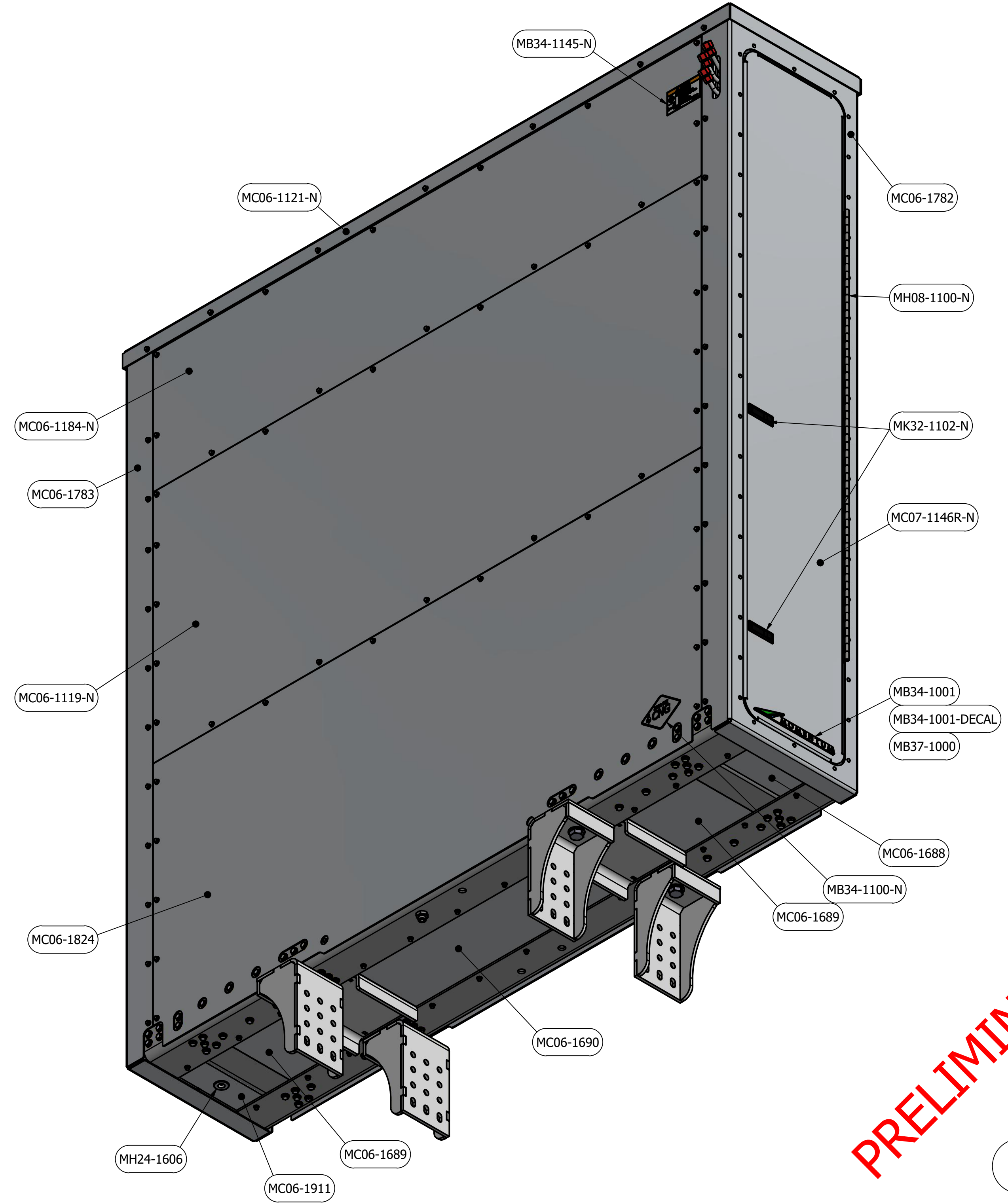
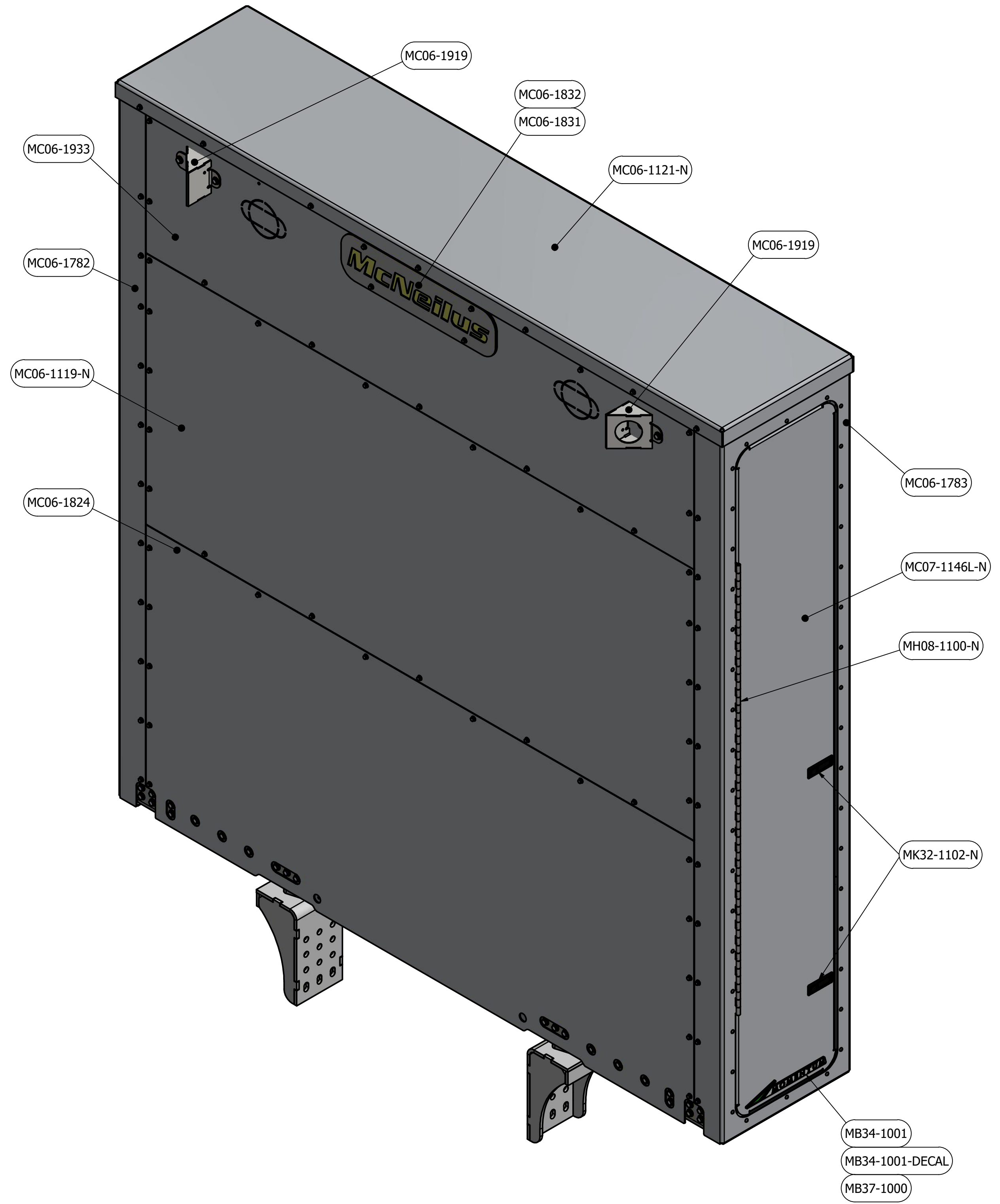
This notice must appear on any complete or partial reproduction of this document or the information contained herein.

Copyright © 2020 Natural Gas Fuel Systems, Inc. dba Momentum Fuel Technologies. All rights reserved.

ALL DIMENSION TOLERANCES UNLESS NOTED
 ONE PLACE .X ±.06
 TWO PLACES .XX ±.03
 THREE PLACES .XXX ±.010
 FOUR PLACES .XXXX ±.0010
 ANGLES ±1.0°
 ALL MACHINED SURFACES TO BE 250 RMS UNLESS NOTED.

NOTES:
 1) FOR INFORMATION NOT CONTAINED IN THIS PRINT REFERENCE THE MATH DATA FOR THIS PART (500-008000-2000023-ACX)
 2) ALL DIMENSIONS ARE IN INCHES

DRAWN	KSA	5/8/2020	MOMENTUM FUEL TECHNOLOGIES 1051 Republic Drive, Suite 200 Roanoke, TX 76262	
CHECKED			TITLE 80 DGE BOC NON-SLAVE SYSTEM, AUTOCAR ACX, WITH MCNEILUS LOAD LIGHT CUTOUTS, LUXFER TYPE III TANKS	
QA			SIZE	DWG NO
MFG			D	500-008000-2000023-ACX
APPROVED			SCALE	REV
Part Mass	N/A			
			SHEET 5 OF 6	



PRELIMINARY

I

DO NOT SCALE THIS PRINT

CONFIDENTIAL AND TRADE SECRET INFORMATION OF NATURAL GAS FUEL SYSTEMS, INC. dba MOMENTUM FUEL TECHNOLOGIES
 This document and the information in it is confidential, proprietary and trade secret information of Natural Gas Fuel Systems, Inc. dba Momentum Fuel Technologies on behalf of itself and its subsidiaries and affiliates ("Momentum"). It contains information intended only for the person to whom it is transmitted and may not be disclosed to any third party, in whole or in part, or used to manufacture anything shown or referred to herein, without Momentum's express, written permission. This document must be returned to Momentum on request.

Any form of reproduction, dissemination, copying, disclosure, modification, distribution, and or publication of this document and the information contained herein is strictly prohibited.

This notice must appear on any complete or partial reproduction of this document or the information contained herein.

Copyright © 2020 Natural Gas Fuel Systems, Inc. dba Momentum Fuel Technologies. All rights reserved.

ALL DIMENSION TOLERANCES UNLESS NOTED

ONE PLACE	.X	±.06
TWO PLACES	.XX	±.03
THREE PLACES	.XXX	±.010
FOUR PLACES	.XXXX	±.0010
ANGLES		±1.0°

ALL MACHINED SURFACES TO BE 250 RMS UNLESS NOTED.

- NOTES:
- 1) FOR INFORMATION NOT CONTAINED IN THIS PRINT REFERENCE THE MATH DATA FOR THIS PART (500-008000-2000023-ACX)
 - 2) ALL DIMENSIONS ARE IN INCHES

DRAWN	KSA	5/8/2020	MOMENTUM FUEL TECHNOLOGIES 1051 Republic Drive, Suite 200 Roanoke, TX 76262		
CHECKED					
QA			TITLE 80 DGE BOC NON-SLAVE SYSTEM, AUTOCAR ACX, WITH MCNEILUS LOAD LIGHT CUTOUTS, LUXFER TYPE III TANKS		
MFG					
APPROVED			SIZE	DWG NO	REV
Part Mass	N/A		D	500-008000-2000023-ACX	
SCALE					SHEET 6 OF 6