

PARTS LIST			
ITEM	QTY	PART NUMBER	DESCRIPTION
2	4	MV29-1000	LOWER ISOLATER
3	8	MV29-1001-000	SNUBBING WASHER
4	2	ME04-1145-N	ANGLE LOWER SUPPORT 70 DGE BOC
7	12	ME04-1147-N	ANGLE TANK SUPPORT BOTTOM 70 DGE BOC
8	5	ME04-1058	FLOATING NECK BLOCK
9	5	MD04-1000	BUSHING-NECK BLOCK
10	10	ME04-1128-N	THREADED NECK BLOCK
11	5	MA01-1102	17" X 87" TANK 17 DGE W/ OMB VALVE
13	10	ME04-1193-N	ANGLE TANK SUPPORT TOP 70 DGE BOC
14	6	ME04-1201-N	ANGLE, PRD SUPPORT 70 DGE BOC
15	1	MF17-1160-N	HOLLOW HEX PLUG #6
16	12	MF17-1014	ADAPTER - STRAIGHT - #6 ORING BOSS X #8 ORFS
17	2	MF17-1148-N	FITTING - 90° ELBOW-8 ORFS MALE X -8 ORFS FEMALE SWIVEL
18	8	MF17-1165-N	SWIVEL NUT BRANCH TEE, ORFS
19	2	MF17-1023	FITTING - UNION TEE -8 X-8 X-8
20	6	MW18-1000	PRD - OMB YORK
21	7	MF17-1016	PLUG - #8 ORING BOSS
22	18	MF17-1015	ADAPTER - STRAIGHT - #8 ORING BOSS X #8 ORFS
23	6	MD04-1113-N	YORK PRD SPACER
26	3	MT21-1274-N	PRD VENT TUBE
27	1	MT21-1275-RED	PRD HIGH PRESSURE TUBE
29	1	MT21-1277-N	PRD VENT TUBE
31	1	MT21-1287-RED	PRD HIGH PRESSURE TUBE
32	1	MT21-1292-N	PRD VENT TUBE
34	4	MD20-1002	CLAMP PAIR-SINGLE TUBE 1/2" OD
35	3	MF18-1000	CAP - VENT, HEAVY DUTY, 0.5"
36	1	MD18-1112-N	TUBE CLAMP BRACKET LONG
37	1	MT21-1293-N	PRD VENT TUBE
39	4	MD04-1197-N	3/8" PANNEL SPACER
40	6	MD04-1137-N	U-CLIP PANNEL SPACERS 70DGE BOC
41	2	MC06-1117-N	BOTTOM OUTSIDE PANNEL 70 DGE BOC
42	2	MC06-1119-N	TOP OUTSIDE PANNEL 70 DGE BOC
43	1	MC06-1121-N	ROOF CAP 70 DGE BOC
44	2	MH08-1100-N	BOC LONG HINGE
45	1	MC07-1146-N	DOOR PANNEL LEFT HAND 70 DGE BOC
46	1	MC07-1146R-N	DOOR PANNEL RIGHT HAND 70 DGE BOC
47	4	MD09-1107-N	DOOR JAM Z STYLE 70 DGE BOC
48	1	MF17-1102-N	BULKHEAD-UNION, 1/2" ORFS
49	1	MD18-1107-N	LOWER TUBE CLAMP BRACKET
51	2	MD05-1101-N	SHEER PANNEL 70 DGE BOC
56	2	ME26-1142-N	MOUNTING PLATE 70 DGE BOC
57	8	ME26-1143-N	MOUNTING PLATE GUSSETS 70 DGE BOC
58	4	ME26-1144-N	NUT CAPTURE PLATE 70 DGE BOC
59	4	ME26-1145-N	MOUNTING PLATE SPACER
60	2	ME26-1157-N	INSIDE LOWER SUPPORT ANGLE
61	1	MC06-1196-N	END PANNEL RIGHT HAND 70 DGE BOC
62	1	MC06-1191-N	END PANNEL LEFT HAND 70 DGE BOC
65	2	MD18-1105-N	TUBE CLAMP BRACKET SHORT
66	1	MS12-1001	DE-FUEL MANIFOLD
72	1	MT21-1375-RED	PRD HIGH PRESSURE TUBE
73	1	MT21-1376-RED	PRD HIGH PRESSURE TUBE
74	1	MF17-1019	ADAPTER - 90° ELBOW - #6 ORING BOSS X #6 ORFS
77	1	MD23-1158-N	DE-FUEL MANIFOLD AND TANK PRESSURE BRACKET
78	1	MG25-1101-N	HIGH PRESSURE GAUGE CRIMPED W/ LOGO
79	1	MF17-1141-N	ADAPTER - STRAIGHT #6 (3/8") ORFS X #6 (3/8") TUBE
80	1	MT21-1378-RED	PRD HIGH PRESSURE TUBE
83	1	MD20-1007	CLAMP PAIR-DOUBLE TUBE 1/2" OD
84	1	MT21-1379-YELLOW	CNG HIGH PRESSURE TUBE
85	2	MC06-1140-N	BOTTOM CLOSE OUT PANNEL OUTSIDE ENDS

PARTS LIST			
ITEM	QTY	PART NUMBER	DESCRIPTION
86	2	MC06-1141-N	BOTTOM CLOSE OUT PANNEL INSIDE ENDS
87	1	MC06-1142-N	BOTTOM CLOSE OUT PANNEL MIDDLE
88	3	MF17-1114-N	90° ELBOW #8 ORFS MALE
89	1	MB34-1146-N	TANK PRESSURE DECAL
90	1	MB34-1007	SERIAL NUMBER TAG
95	6	MK37-1100-N	SPACER - RUBBER, BOC DOOR STOP
96	4	MK32-1102-N	EBERHARD DOOR LATCHES
97	2	MD04-1157-N	TOP SPACER FOR ROOF 70 DGE BOC
107	2	MJ00-1108-N	(MASTER ASSY.) LIFTING BRACKET
109	3	MT21-1274-RED	PRD HIGH PRESSURE TUBE
110	2	MT21-1272-RED	PRD HIGH PRESSURE TUBE
111	2	MT21-1276-RED	PRD HIGH PRESSURE TUBE
114	1	MF14-1100-N	#4 ORING BOSS PLUG
115	2	MB34-1001	Emblem - Momentum
116	1	MB34-1100-N	3,600 PSI DIAMOND DECAL
118	4	MT21-1411-YELLOW	CNG HIGH PRESSURE TUBE
119	1	MT21-1411-RED	PRD HIGH PRESSURE TUBE
120	1	MT21-1417-YELLOW	CNG HIGH PRESSURE TUBE
121	2	ME04-1244L-N	LEFT T-CORNER SUPPORT 87 DGE BOC
122	2	ME04-1244R-N	RIGHT T-CORNER SUPPORT 87 DGE BOC
123	2	MC06-1184-N	TOP OUTER COVER 87 DGE BOC
124	1	MT21-1507-N	PRD VENT TUBE
125	1	MT21-1508-N	PRD VENT TUBE
126	1	MT21-1509-N	PRD VENT TUBE
127	1	ME26-1162L-N	(MASTER ASSY.) MOUNTING BRACKET FOR MACK COE REARWARD LEFT HAND
128	1	ME26-1162R-N	(MASTER ASSY.) MOUNTING BRACKET FOR MACK COE REARWARD RIGHT HAND
135	1	ME26-1165L-N	(MASTER ASSY.) MOUNTING BRACKET FOR MACK COE FORWARD LEFT HAND
138	1	ME26-1165R-N	(MASTER ASSY.) MOUNTING BRACKET FOR MACK COE FORWARD RIGHT HAND
141	4	ME26-1610	
142	1	MC06-1661	COVER - FRONT, TOP, HEIL FOB
143	1	212-1343_AFO	
144	2	115-1180_AFO	
147	1	615-6640-004_AFO	
148	1	615-6640-004_AF1	

NOTES:

- FOR INFORMATION NOT CONTAINED IN THIS PRINT REFERENCE THE MATH DATA FOR THIS PART (500-008700-000300001)
- ALL DIMENSIONS ARE IN INCHES
- PART SHALL BE FREE OF BURRS, FLASH AND SHARP EDGES
- MATERIAL: OR EQUIVALENT
THICKNESS: XX IN (XX GA)
MINIMUM YIELD STRENGTH: XX KSI
- INITIAL USE:
- PART NUMBER, REV LEVEL, AND SUPPLIER CODE REQUIRED ON ALL PARTS. REFER TO DRAWING FOR SPECIFIC LOCATION, WHERE APPLICABLE. ETCH, STAMP, OR OTHERWISE PERMANENTLY ATTACH REQUIRED INFORMATION ON LARGER PARTS. PERMANENT MARKINGS SHALL BE PLACED IN SUCH A WAY THAT THEY ARE VISIBLE AFTER PART IS COATED OR PAINTED. SMALLER PARTS SHOULD HAVE THE INFORMATION ATTACHED BY THE BEST METHOD POSSIBLE. ALTERNATE MEANS OF ATTACHING INFORMATION MUST BE APPROVED.
- PART SHOWN IS LEFT HAND (LH)
LH PART NUMBER IS XXXX-XXXXL
RH PART NUMBER IS XXXX-XXXXR
(RH PART IS OPPOSITE, MIRROR OF WHAT IS SHOWN)

CONFIDENTIAL AND TRADE SECRET INFORMATION OF RUSH ENTERPRISES, INC.

This document and the information in it is confidential, proprietary and trade secret information of Rush Enterprises, Inc. and its subsidiaries ("Rush"). It contains information intended only for the person to whom it is transmitted and may not be disclosed to any third party, in whole or in part, or used to manufacture anything shown or referred to herein, without Rush's express, written permission. This document must be returned to Rush on request.

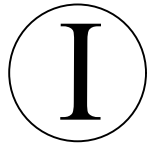
Any form of reproduction, dissemination, copying, disclosure, modification, distribution and or publication of this document and the information contained herein is strictly prohibited.

This notice must appear on any complete or partial reproduction of this document or the information contained herein.

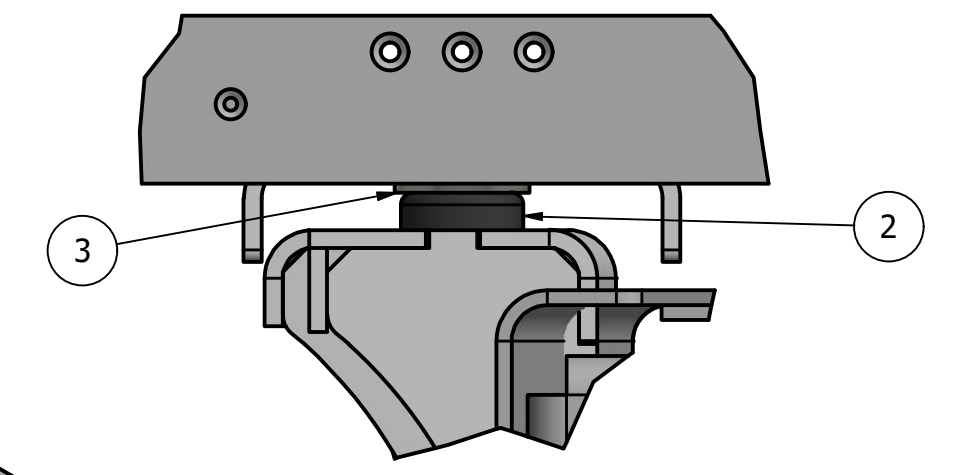
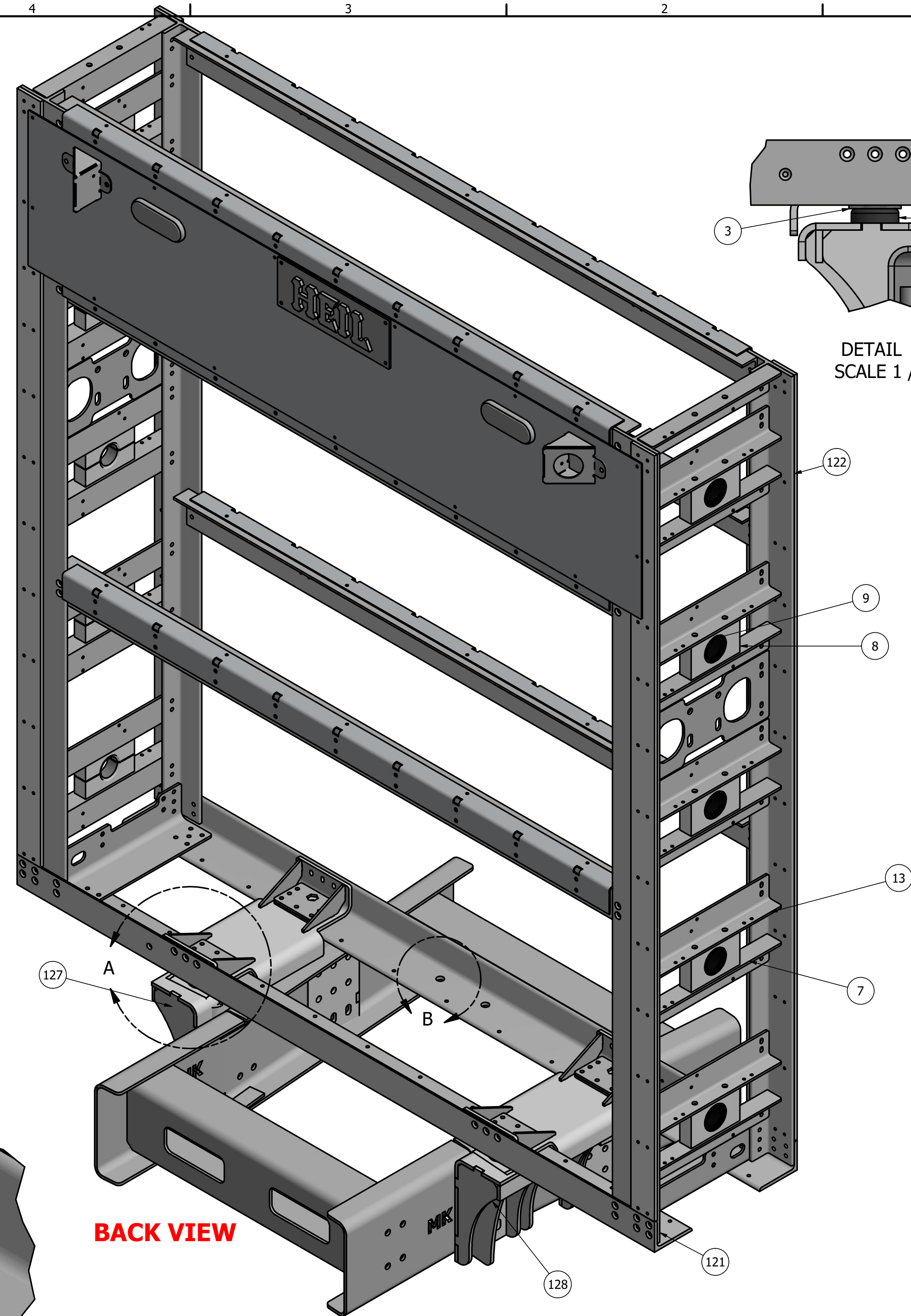
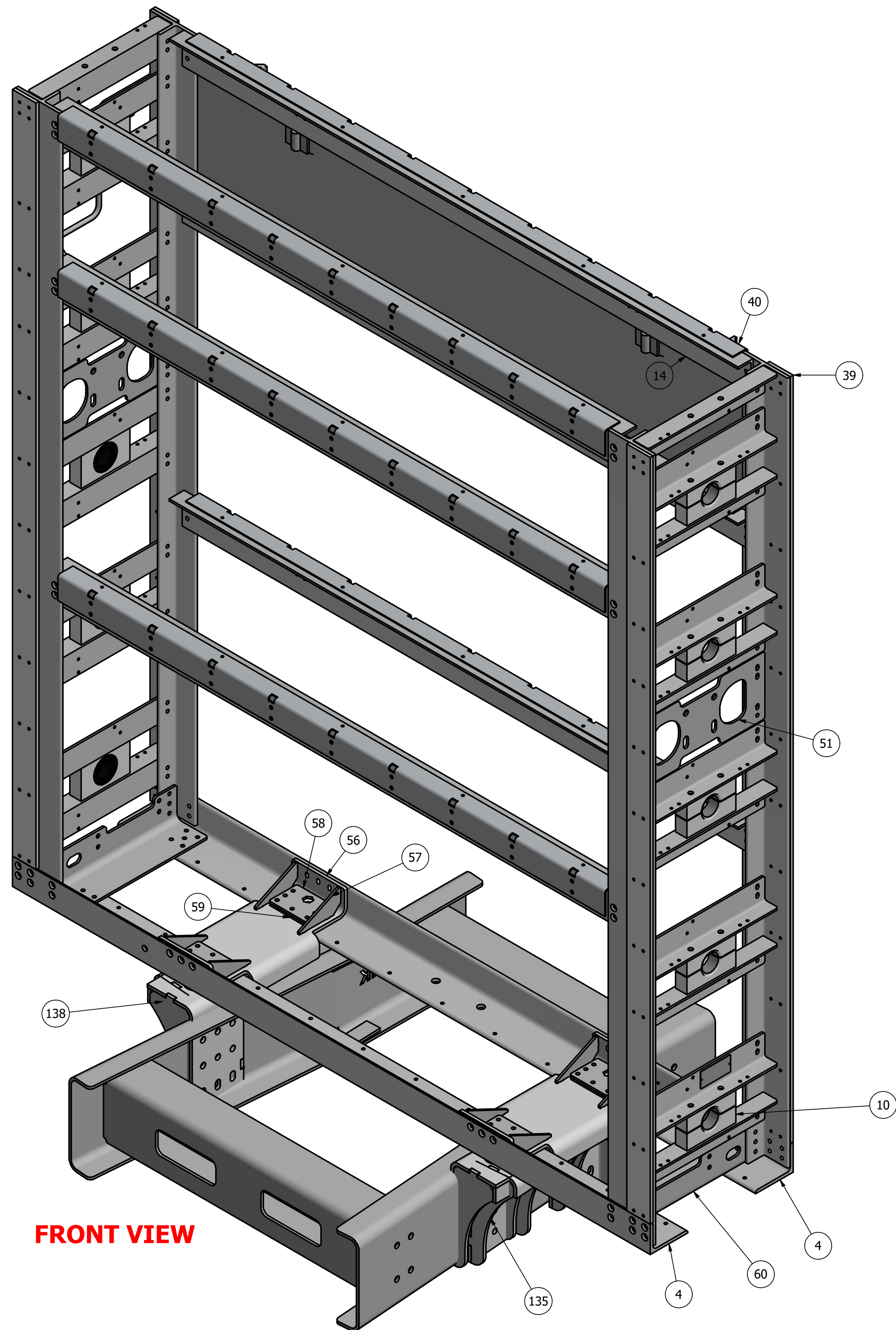
Copyright © 2016 Rush Enterprises, Inc. All rights reserved.

ALL DIMENSION TOLERANCES UNLESS NOTED
ONE PLACE .X ±.06
TWO PLACES .XX ±.03
THREE PLACES .XXX ±.010
FOUR PLACES .XXXX ±.0010
ANGLES ±1.0°
ALL MACHINED SURFACES TO BE 250 RMS UNLESS NOTED.

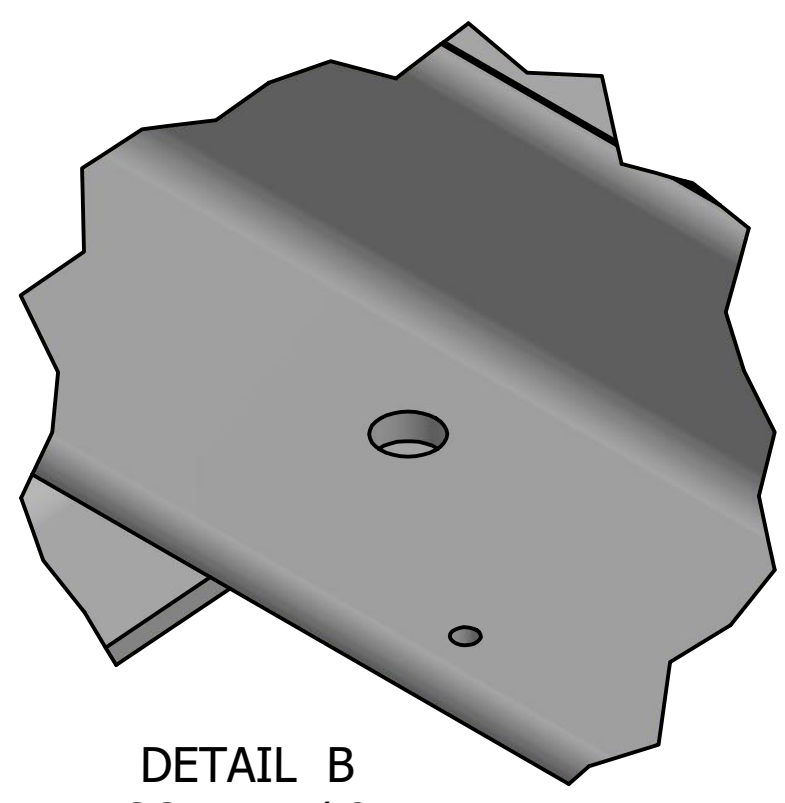
DO NOT SCALE THIS PRINT



DRAWN brummer	7/19/2016	MOMENTUM FUEL TECHNOLOGIES 1051 Republic Drive, Suite 200 Roanoke, TX 76262	
CHECKED		TITLE	
QA		BILLS OF MATERIALS	
MFG			
APPROVED		SIZE D	DWG NO 500-008700-000300001
Part Mass		SCALE	REV

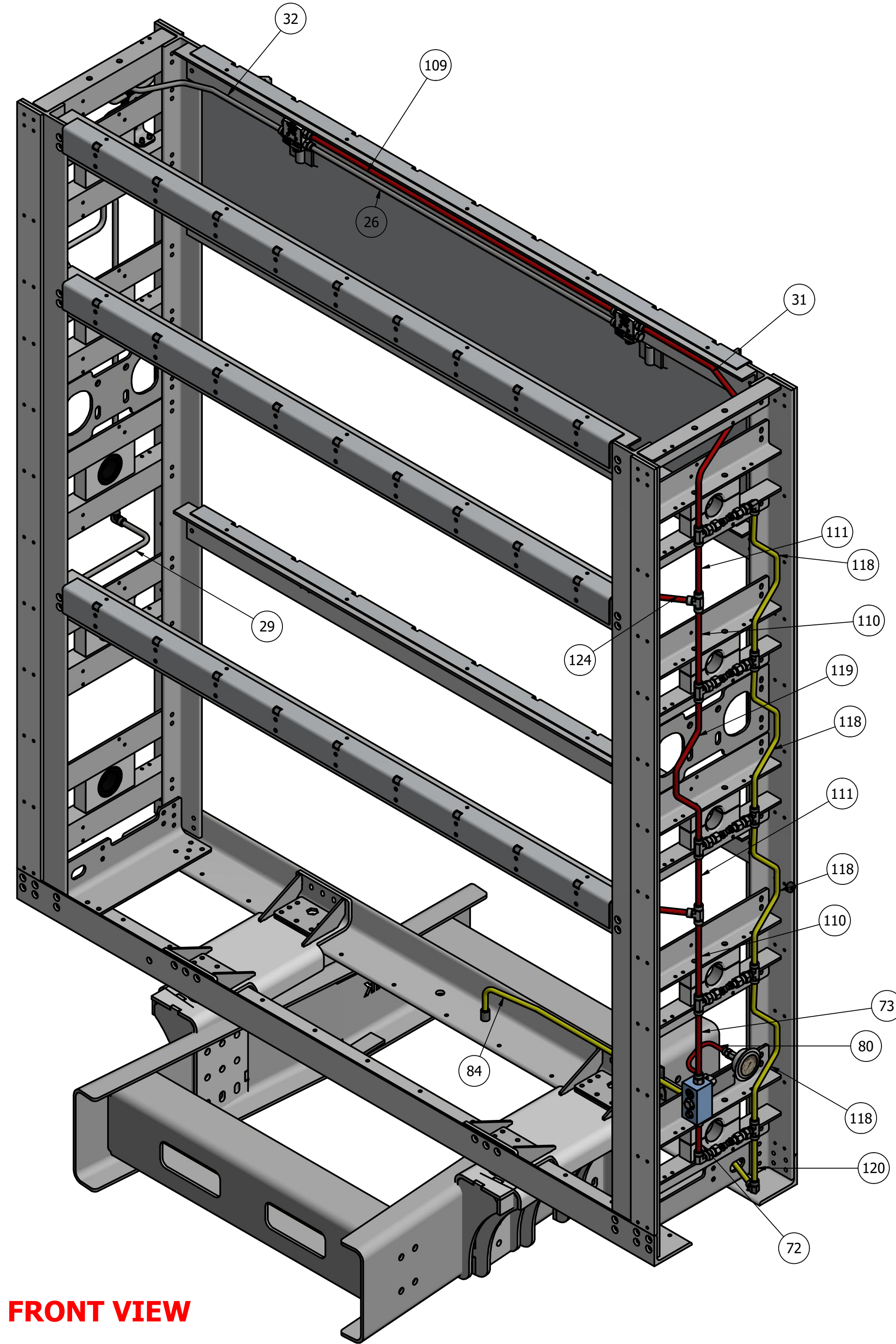


DETAIL A
SCALE 1 / 4

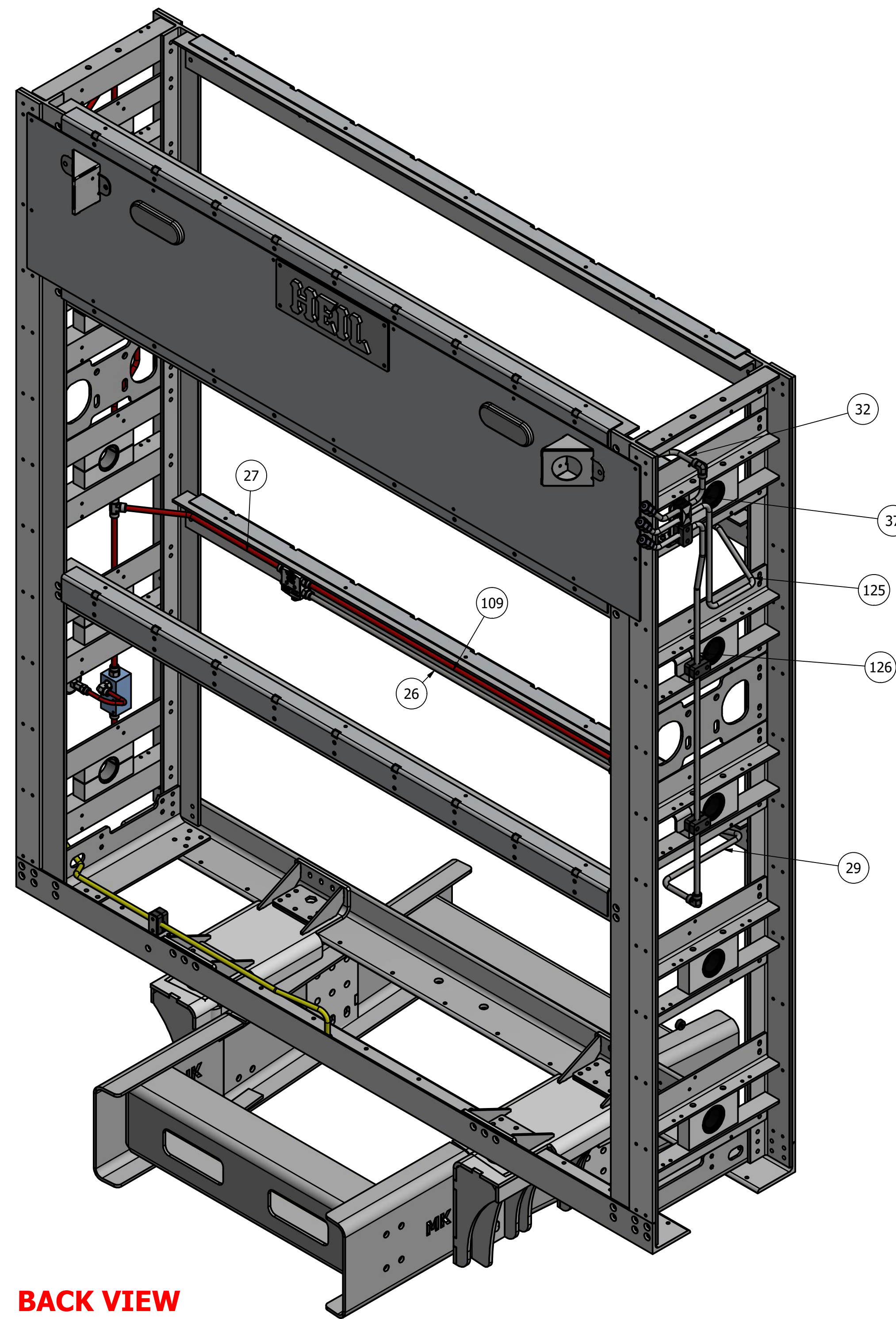


DETAIL B
SCALE 1 / 2

DRAWN brummerm	7/19/2016	MOMENTUM FUEL TECHNOLOGIES 1051 Republic Drive, Suite 200 Roanoke, TX 76262	
CHECKED		FRAME LAYOUT	
QA		SIZE	DWG NO
MFG		D	500-008700-000300001
APPROVED		SCALE	REV
Part Mass N/A			
			SHEET 2 OF 13



FRONT VIEW



BACK VIEW

PRELIMINARY

I

DO NOT SCALE THIS PRINT

CONFIDENTIAL AND TRADE SECRET INFORMATION OF RUSH ENTERPRISES, INC.


This document and the information in it is confidential, proprietary and trade secret information of Rush Enterprises, Inc. and its subsidiaries ("Rush"). It contains information intended only for the person to whom it is transmitted and may not be disclosed to any third party, in whole or in part, or used to manufacture anything shown or referred to herein, without Rush's express, written permission. This document must be returned to Rush on request.

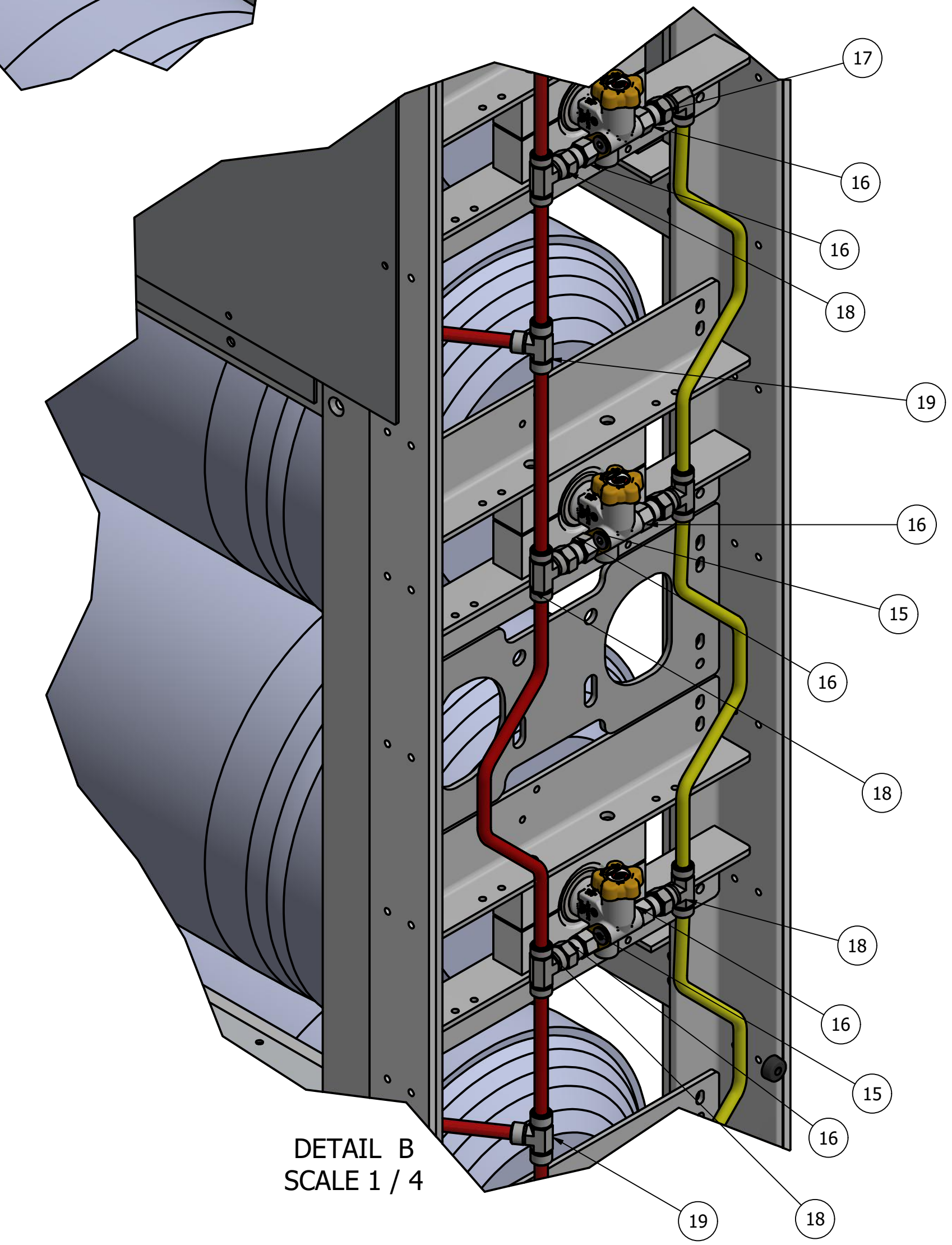
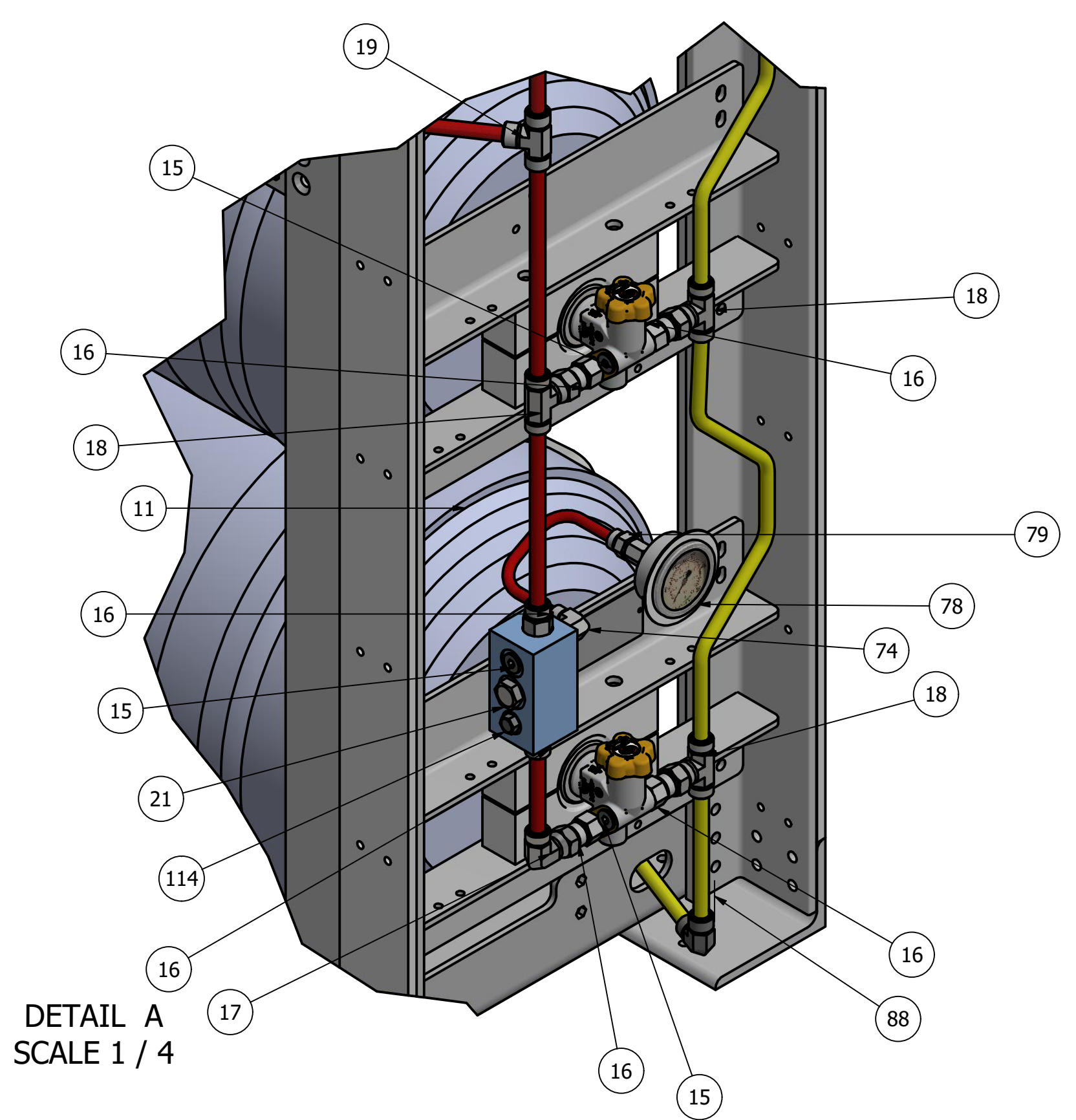
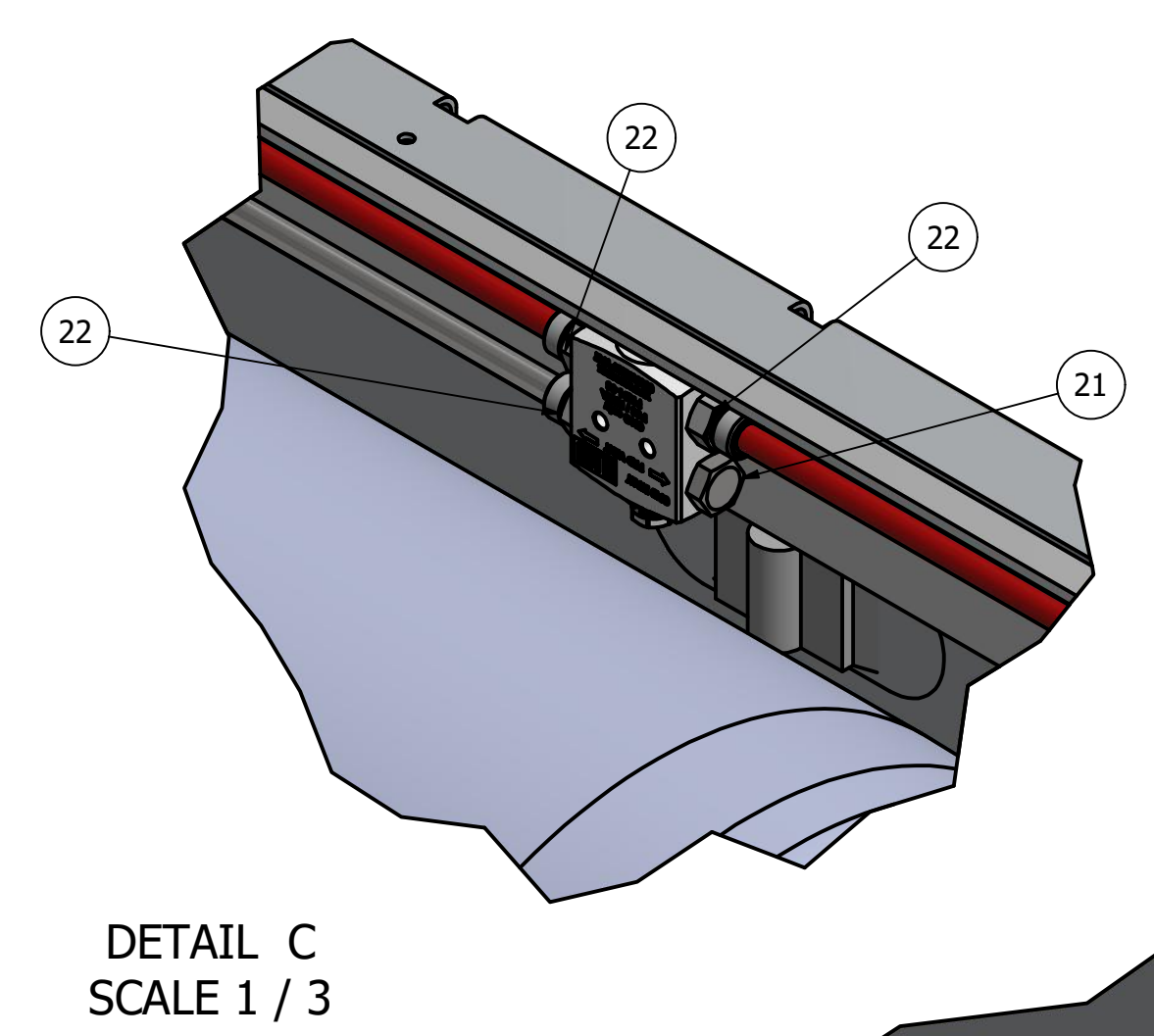
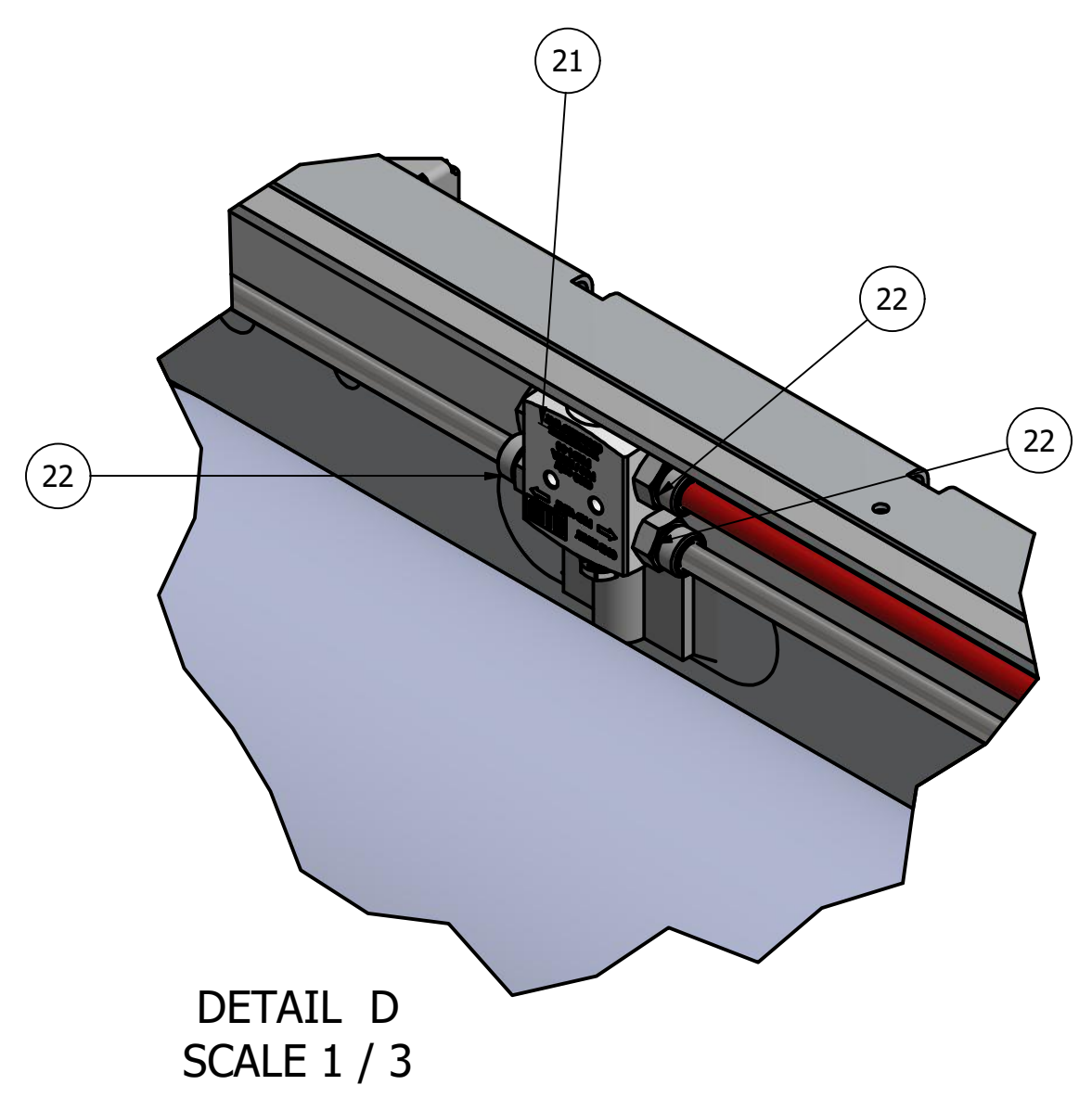
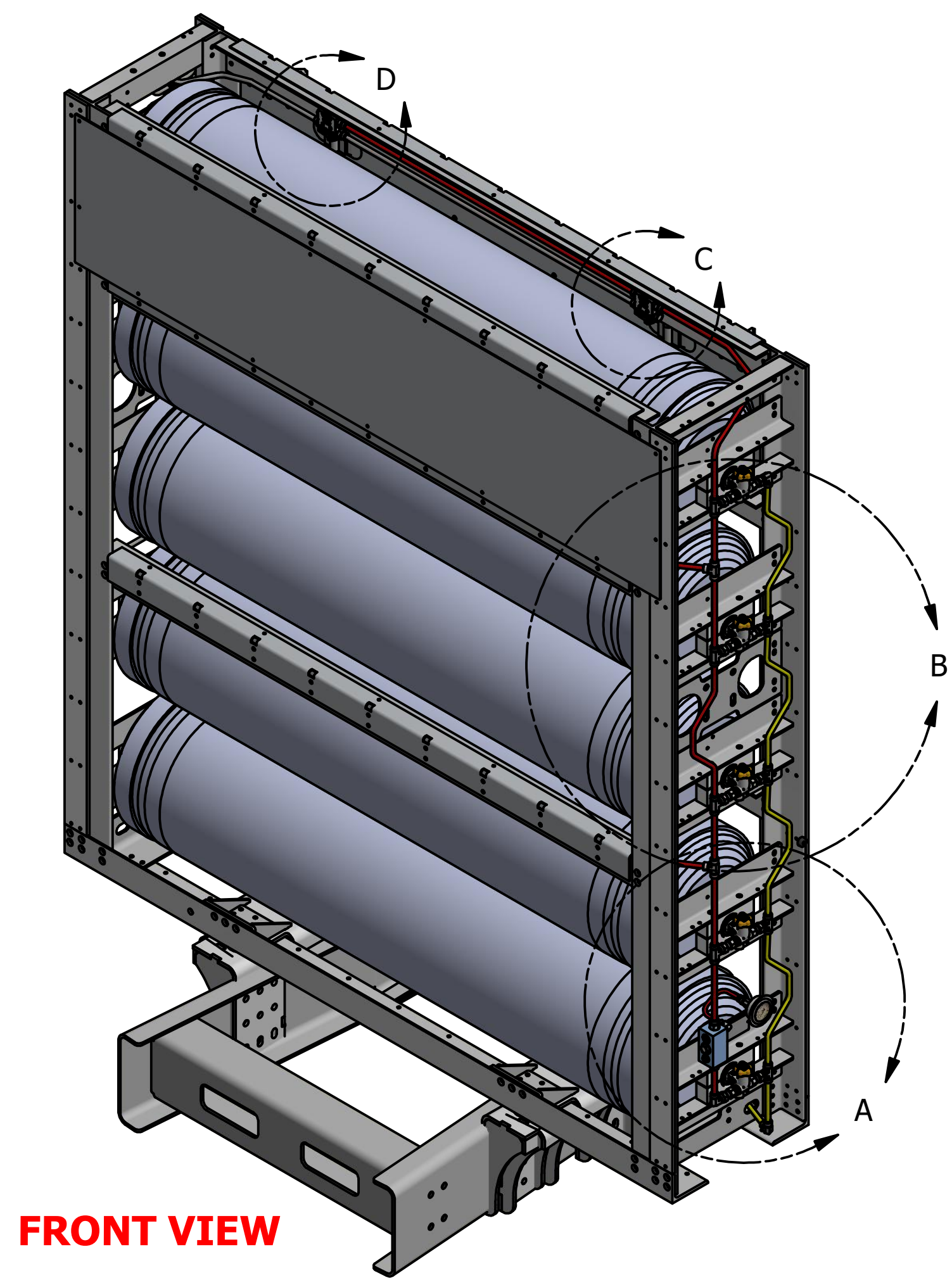
Any form of reproduction, dissemination, copying, disclosure, modification, distribution and or publication of this document and the information contained herein is strictly prohibited.

This notice must appear on any complete or partial reproduction of this document or the information contained herein.

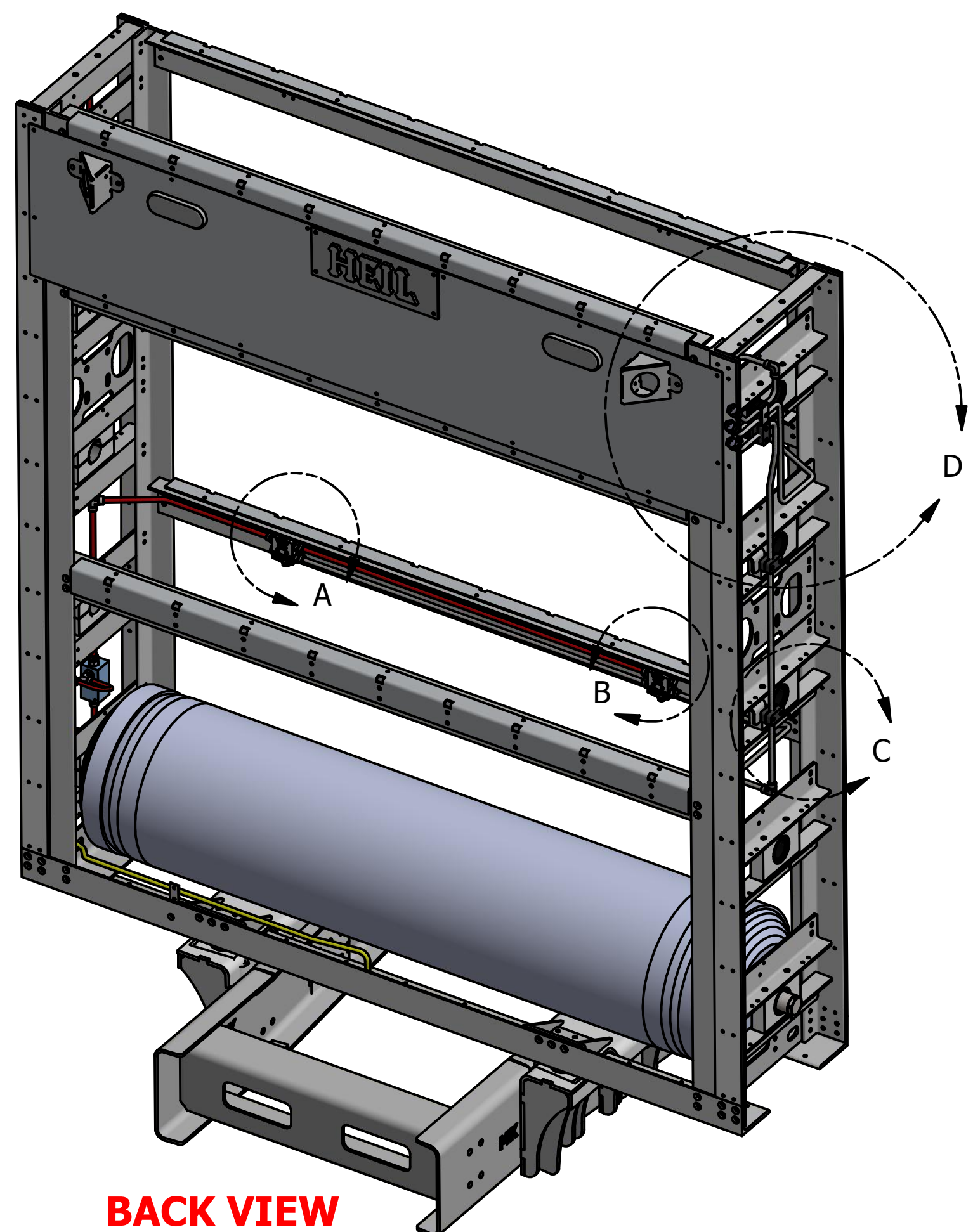
Copyright © 2016 Rush Enterprises, Inc. All rights reserved.

ALL DIMENSION TOLERANCES UNLESS NOTED
 ONE PLACE .X ±.06
 TWO PLACES .XX ±.03
 THREE PLACES .XXX ±.010
 FOUR PLACES .XXXX ±.0010
 ANGLES ±1.0°
 ALL MACHINED SURFACES TO BE 250 RMS UNLESS NOTED.

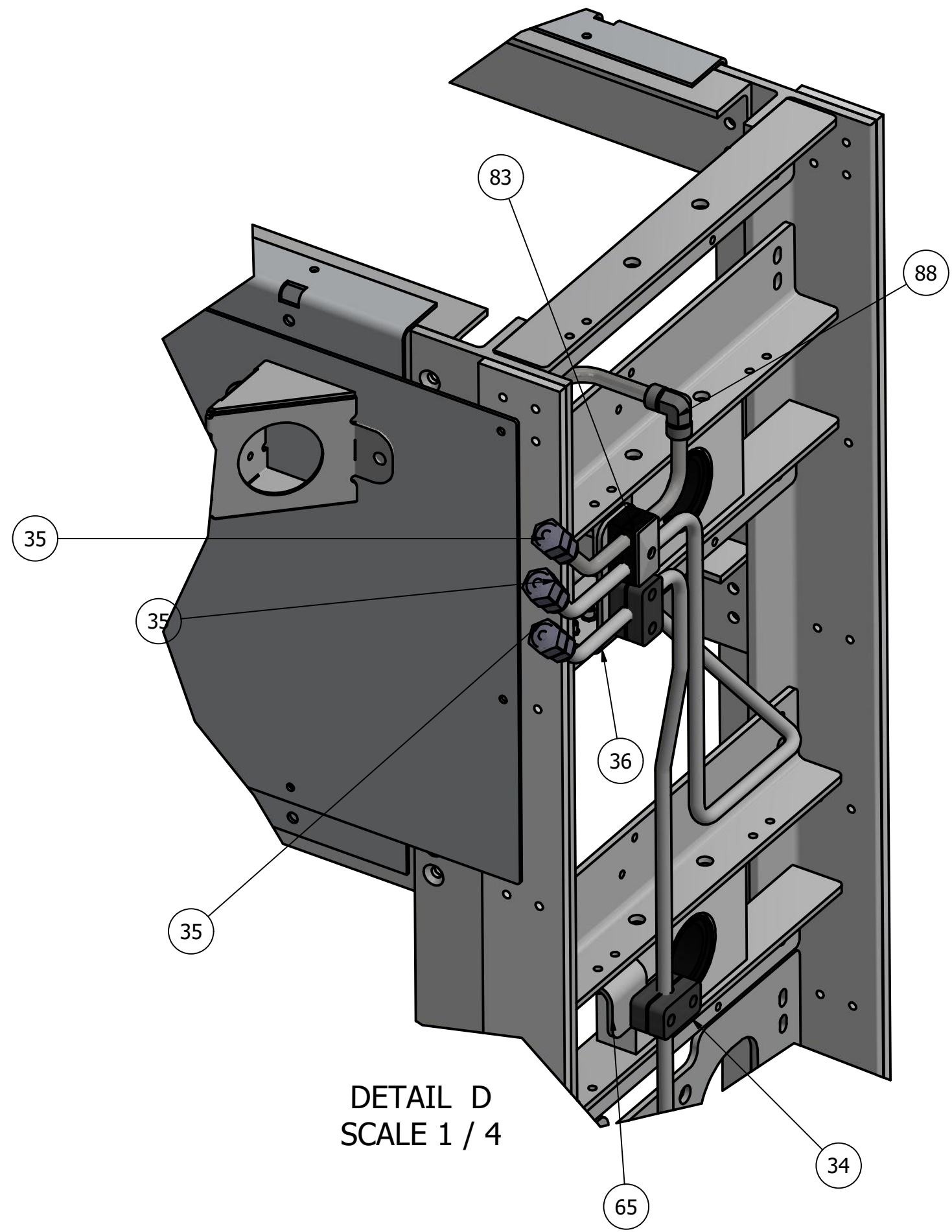
DRAWN brummerm	7/19/2016	 MOMENTUM FUEL TECHNOLOGIES 1051 Republic Drive, Suite 200 Roanoke, TX 76262	REV
CHECKED			TITLE TUBBING RUNS
QA		SIZE D	DWG NO 500-008700-000300001
MFG		SCALE	
APPROVED			
Part Mass N/A			



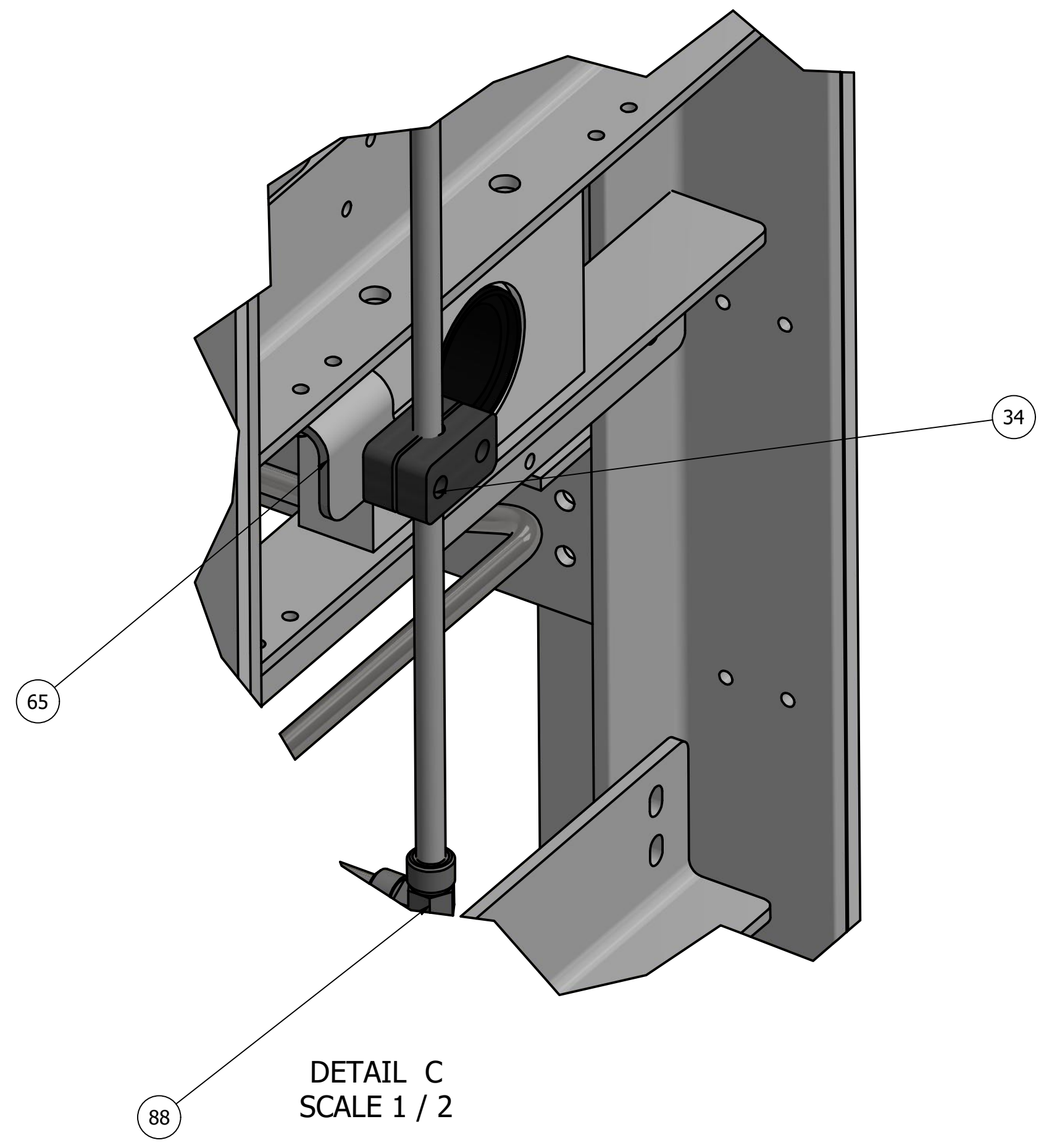
DRAWN brummerm	7/19/2016	MOMENTUM FUEL TECHNOLOGIES 1051 Republic Drive, Suite 200 Roanoke, TX 76262	
CHECKED		TANKS AND FITTINGS ON VALVE SIDE	
QA		SIZE	D
MFG		DWG NO	500-008700-000300001
APPROVED		SCALE	
Part Mass N/A			REV
			SHEET 4 OF 13



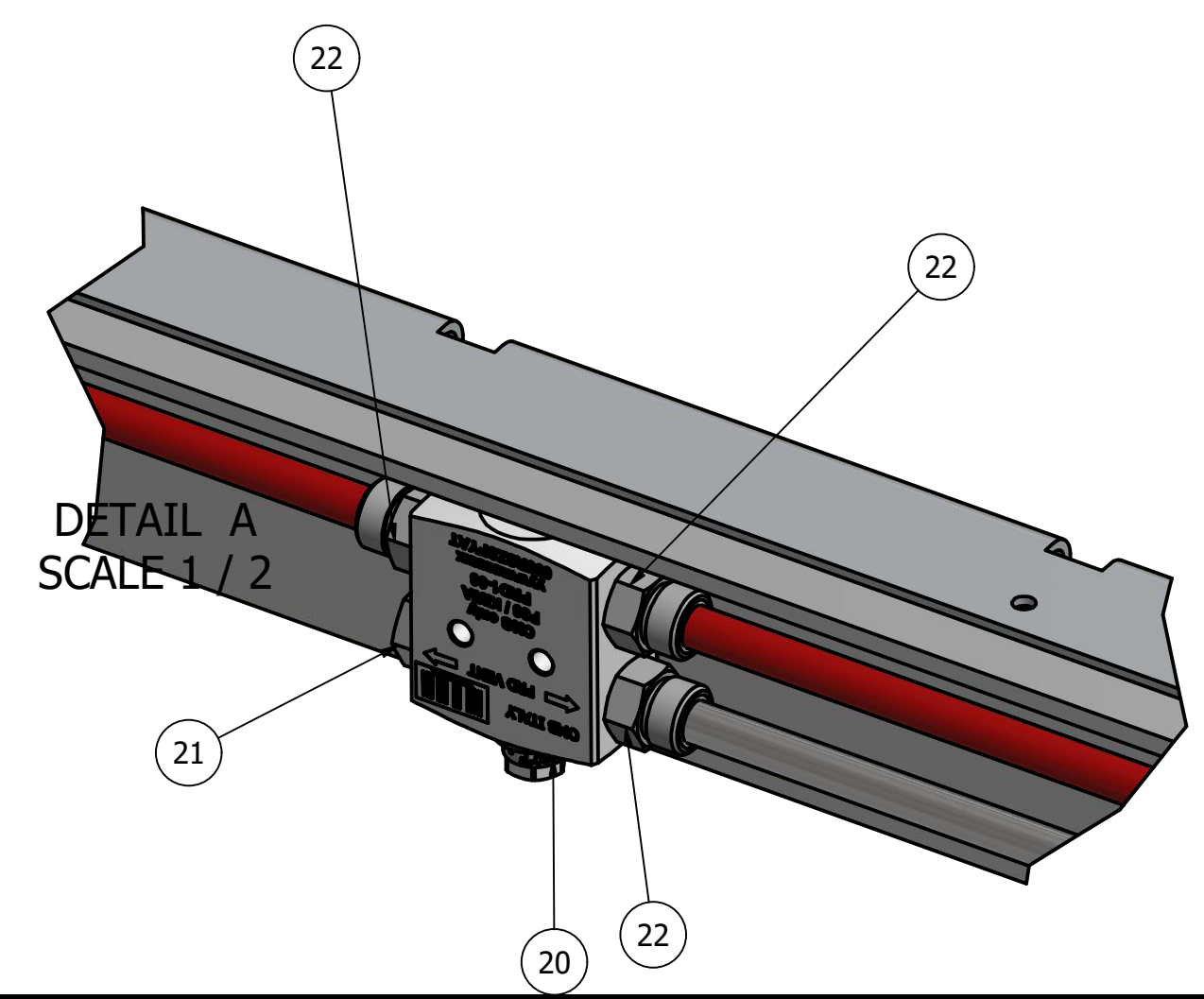
BACK VIEW



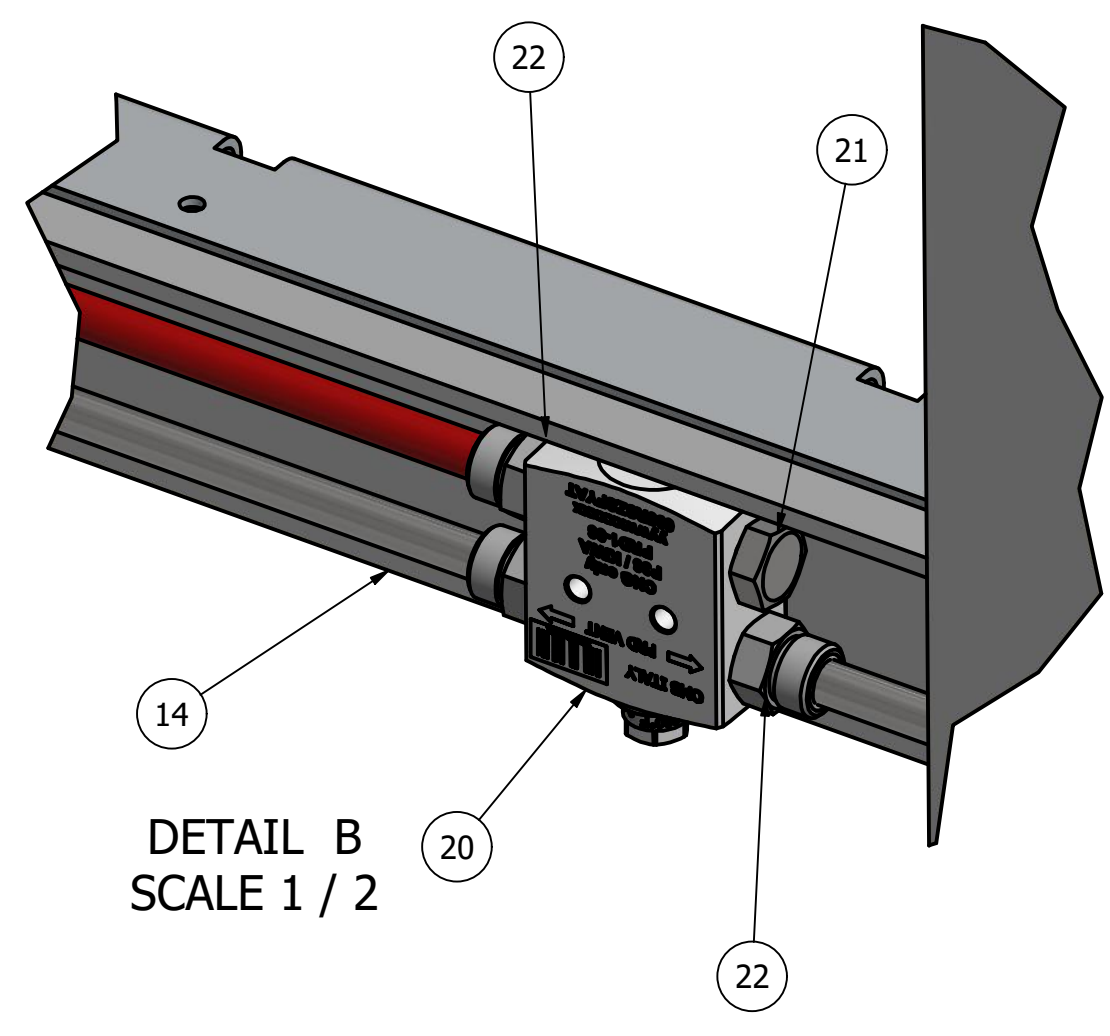
DETAIL D
SCALE 1 / 4




DETAIL C
SCALE 1 / 2

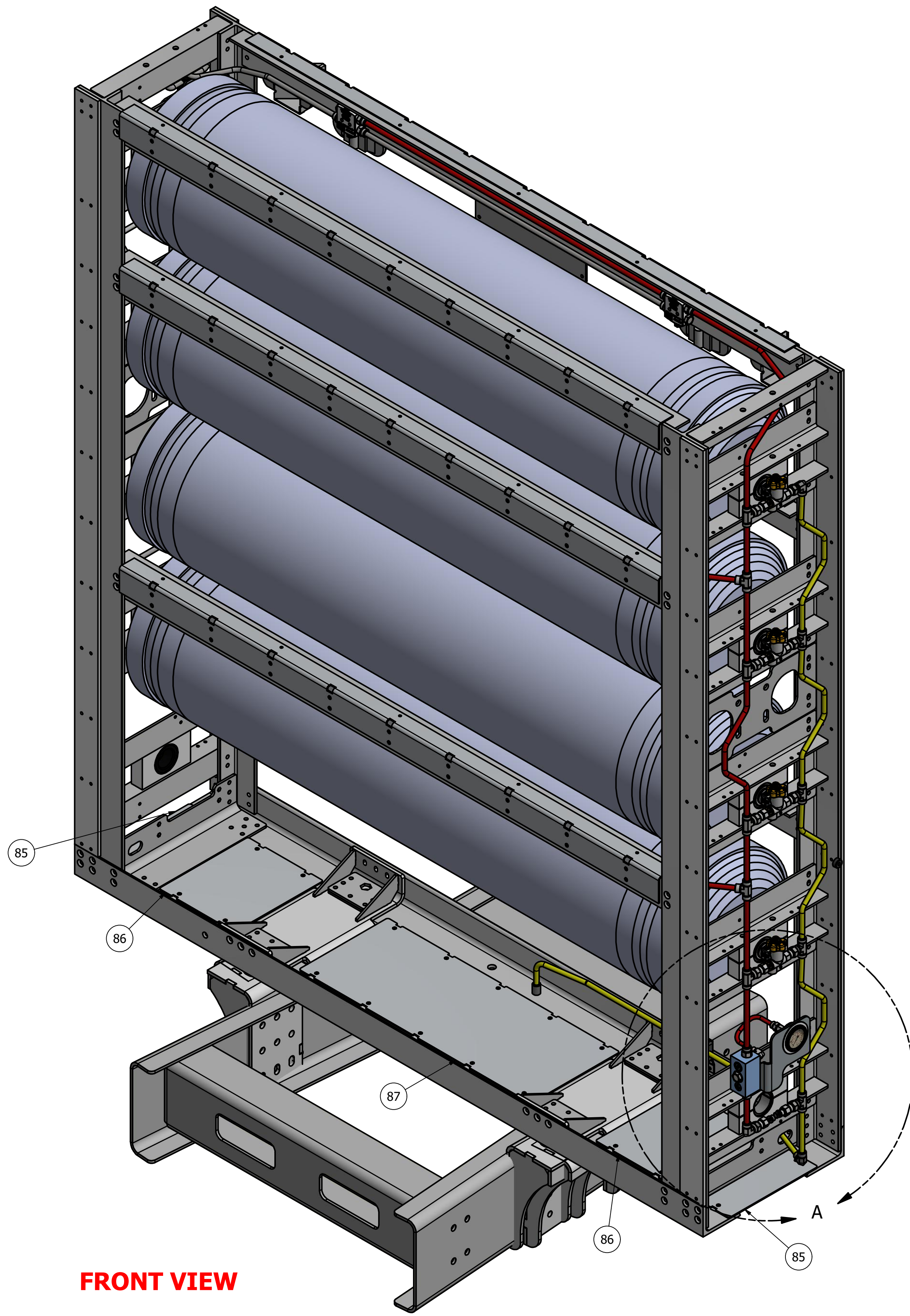


DETAIL A
SCALE 1 / 2

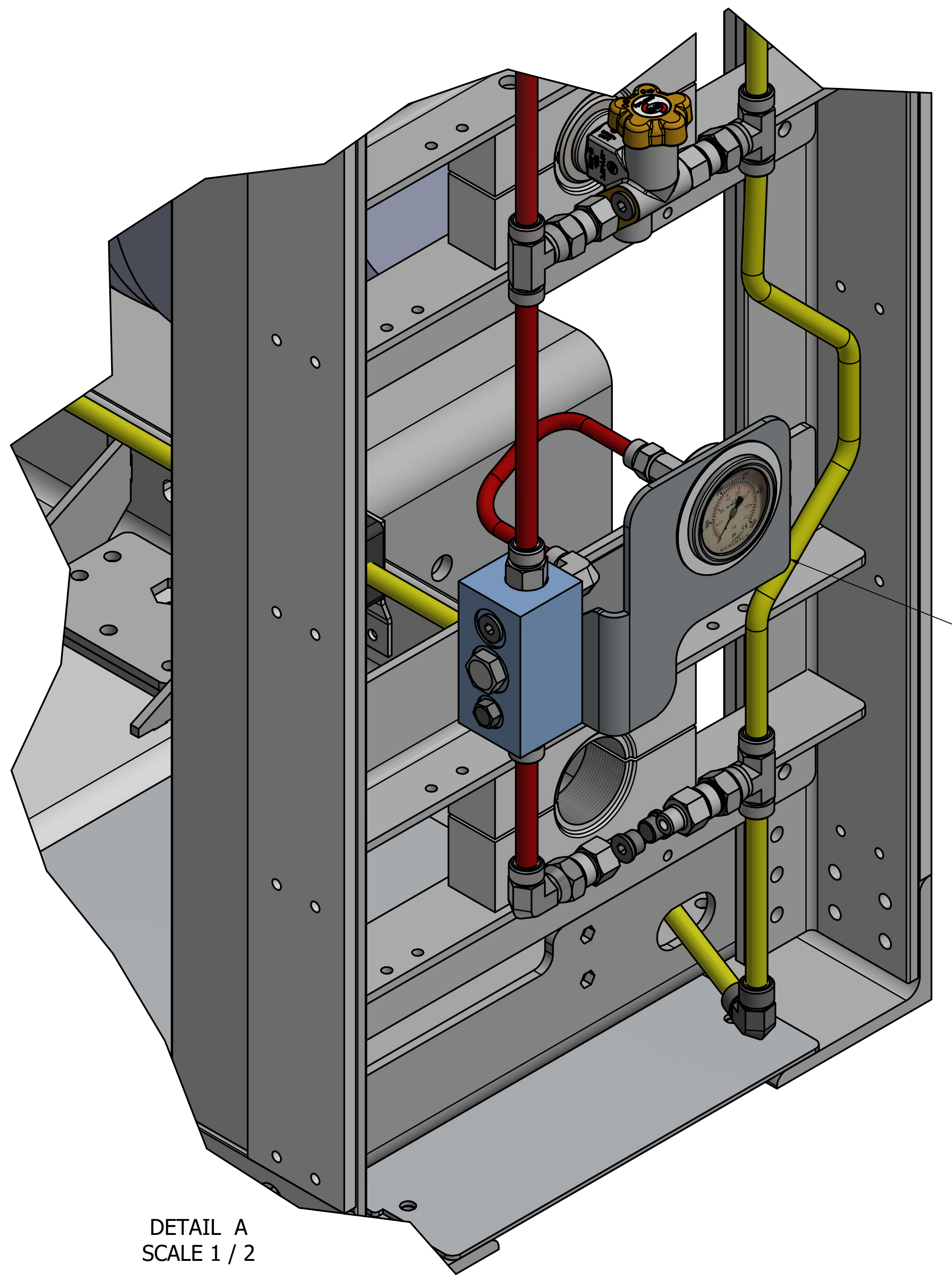


DETAIL B
SCALE 1 / 2


DRAWN brummerm	7/19/2016	 MOMENTUM FUEL TECHNOLOGIES 1051 Republic Drive, Suite 200 Roanoke, TX 76262	
CHECKED		TITLE FITTINGS ON PRD VENT SIDE	
QA		SIZE D	DWG NO 500-008700-000300001
MFG		SCALE	REV
APPROVED			
Part Mass N/A			
			SHEET 5 OF 13

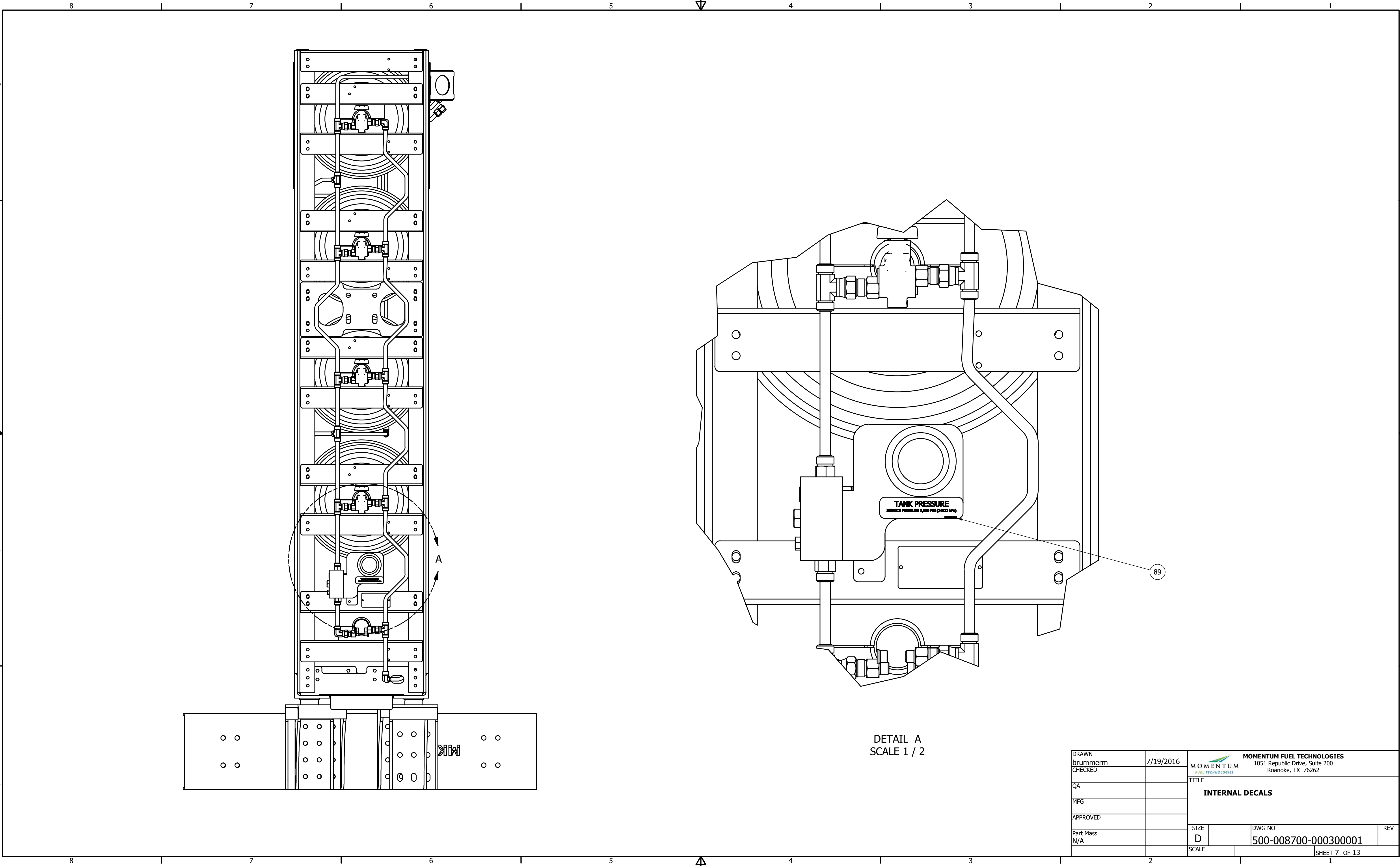


FRONT VIEW




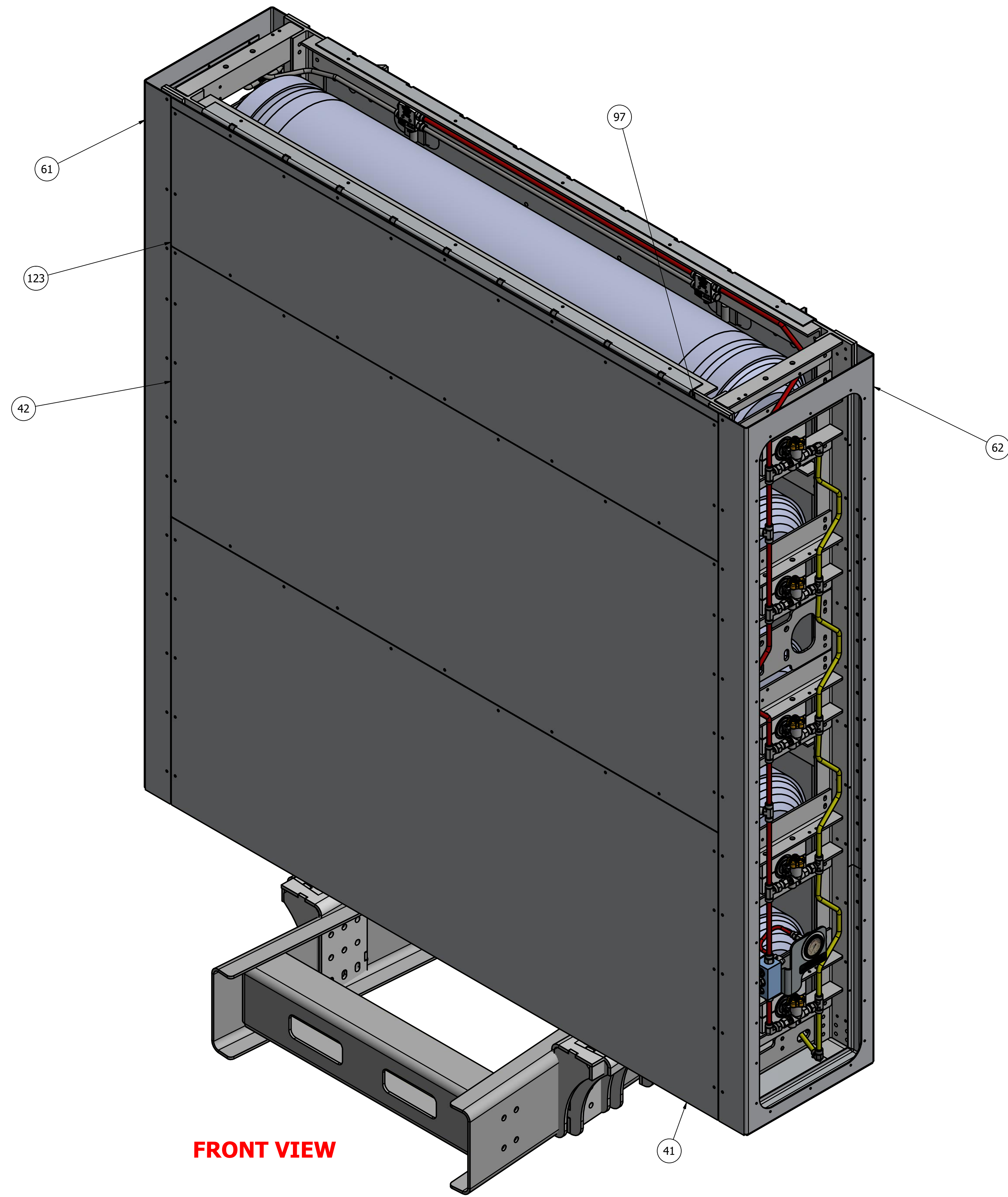
DETAIL A
SCALE 1 / 2

DRAWN brummerm	7/19/2016	 MOMENTUM FUEL TECHNOLOGIES 1051 Republic Drive, Suite 200 Roanoke, TX 76262	
CHECKED		BRACKETS AND BOTTOM PANNELS	
QA		SIZE	DWG NO
MFG		D	500-008700-000300001
APPROVED		SCALE	REV
Part Mass N/A			
			SHEET 6 OF 13




DETAIL A
SCALE 1 / 2

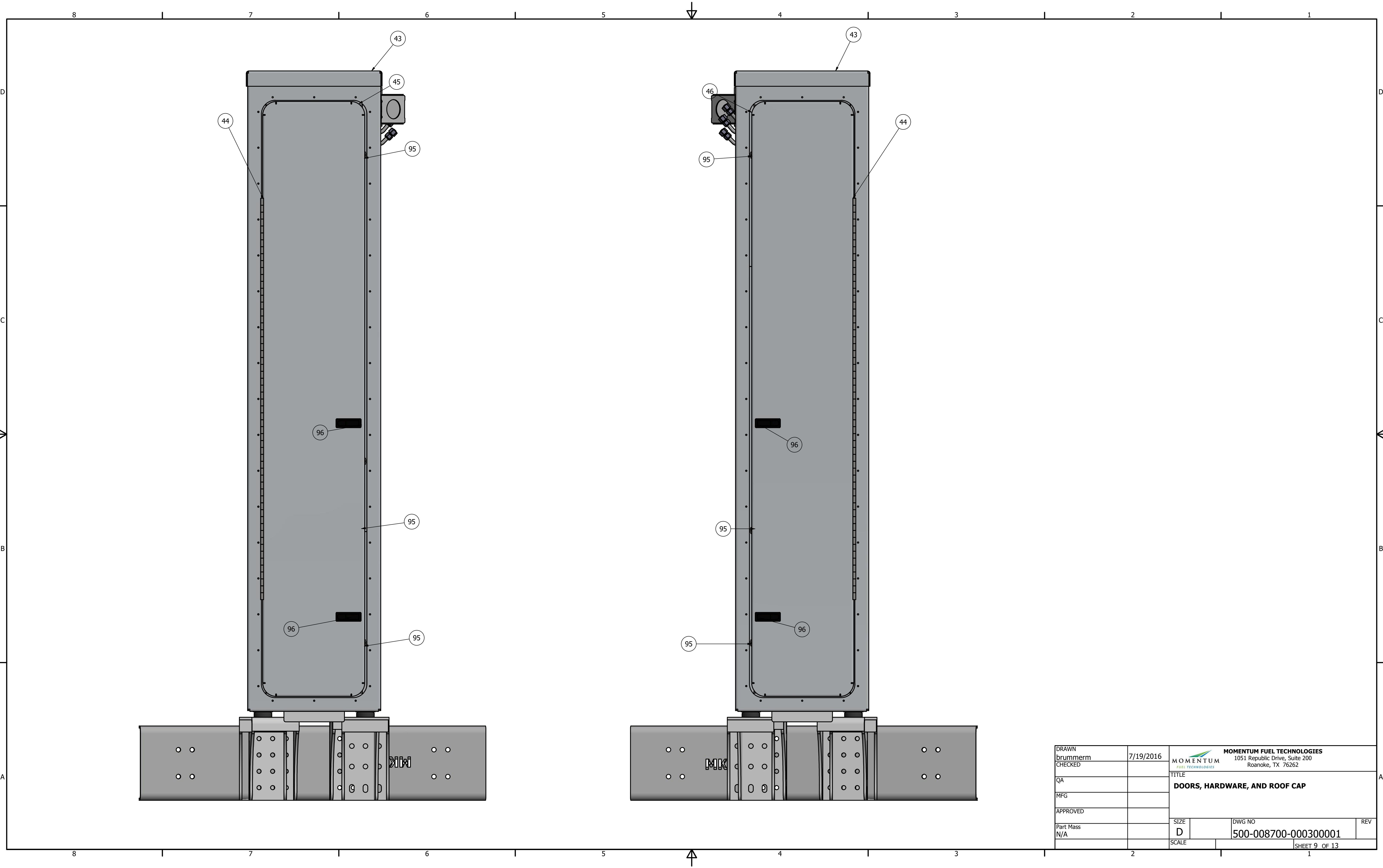
DRAWN brummerm	7/19/2016	 MOMENTUM FUEL TECHNOLOGIES 1051 Republic Drive, Suite 200 Roanoke, TX 76262	
CHECKED		TITLE	
QA		INTERNAL DECALS	
MFG			
APPROVED			
Part Mass N/A		SIZE D	DWG NO 500-008700-000300001
		SCALE	REV
			SHEET 7 OF 13




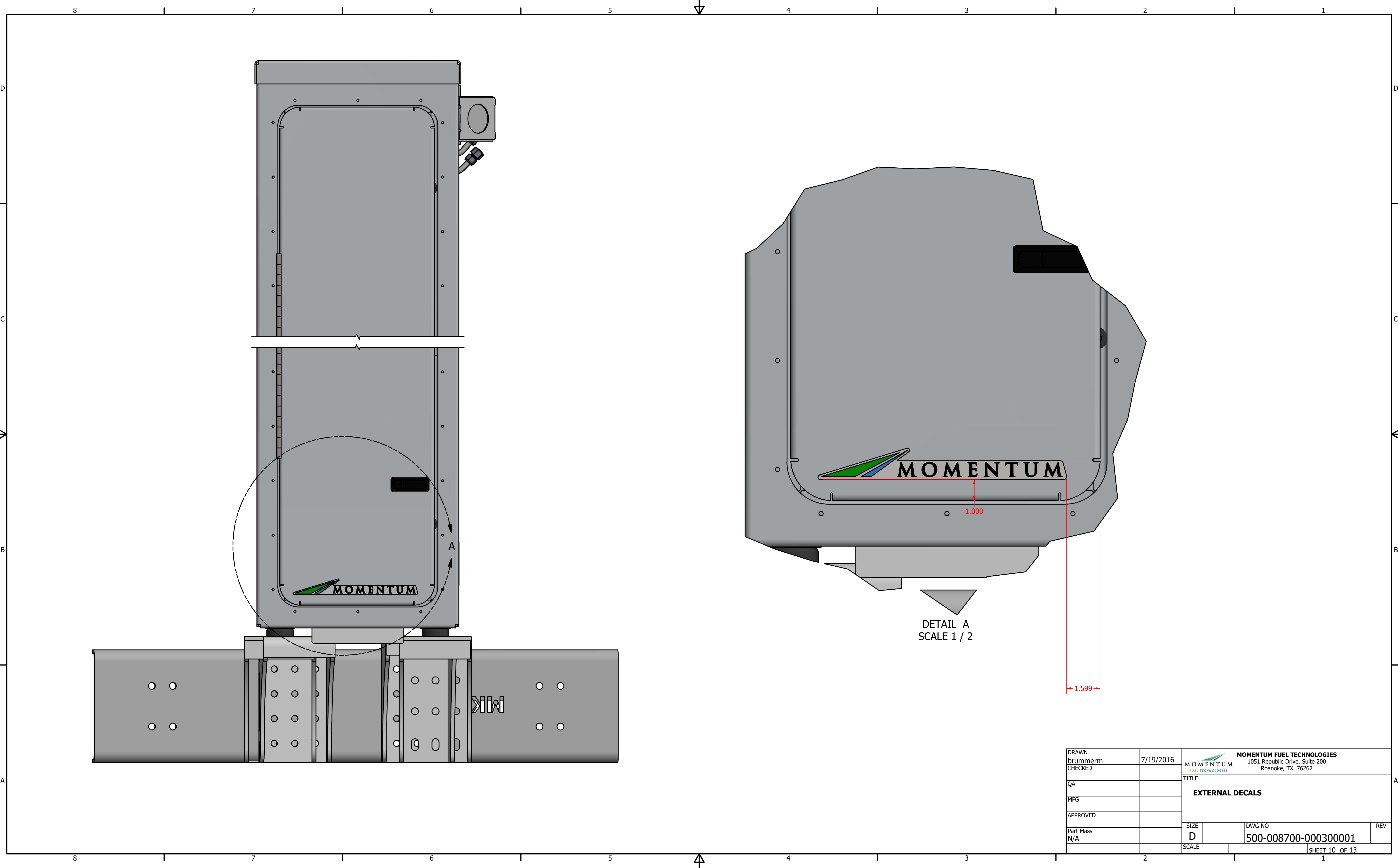
FRONT VIEW


**NOTES: 42 AND 41 ARE
SAME PANNEL FRONT
AND BACK**

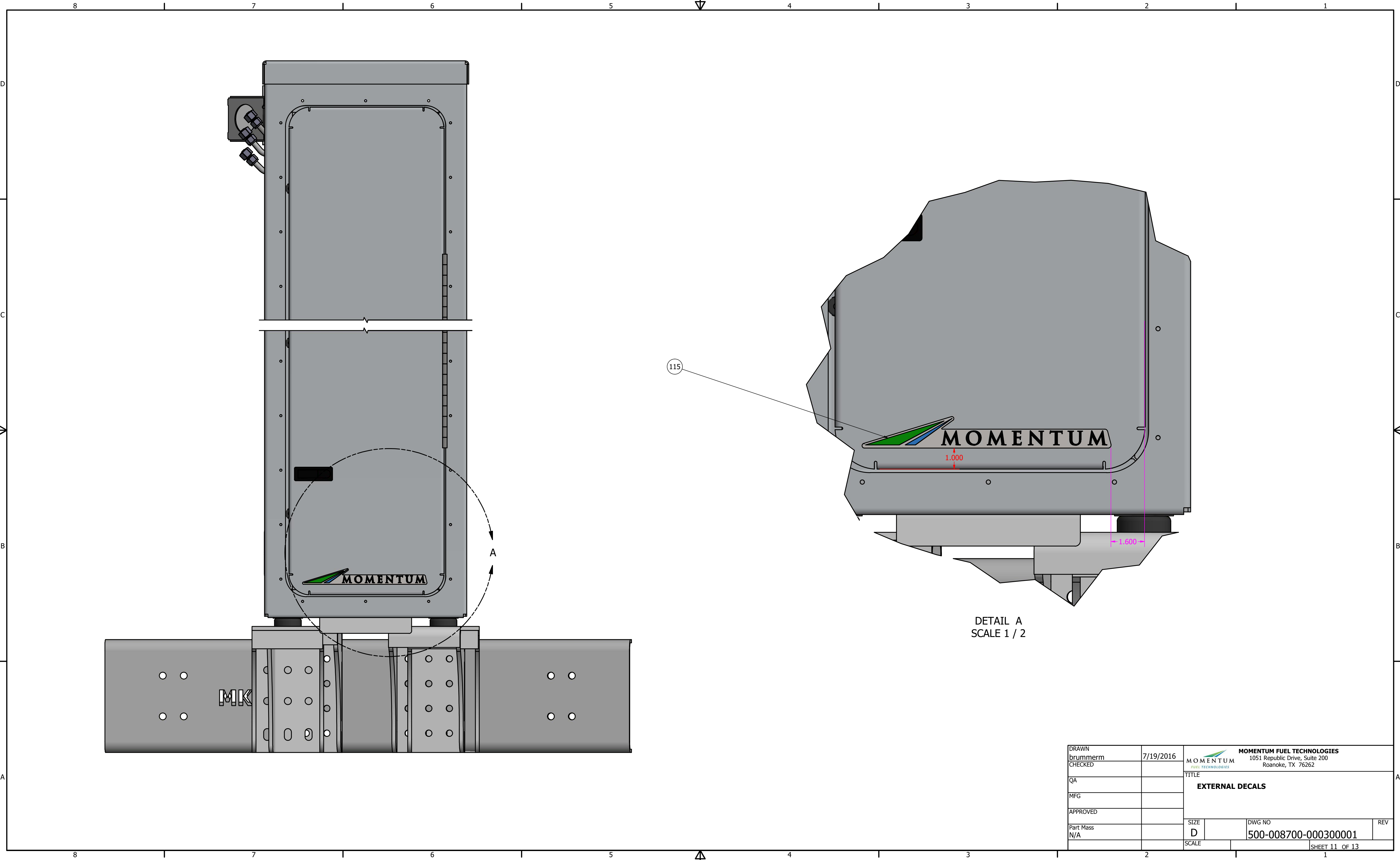
DRAWN brummerm	7/19/2016	 MOMENTUM FUEL TECHNOLOGIES 1051 Republic Drive, Suite 200 Roanoke, TX 76262	
CHECKED		TITLE	
QA		PANNELS	
MFG			
APPROVED			
Part Mass N/A		SIZE D	DWG NO 500-008700-000300001
		SCALE	REV
			SHEET 8 OF 13




DRAWN	brummerm	7/19/2016	 MOMENTUM FUEL TECHNOLOGIES 1051 Republic Drive, Suite 200 Roanoke, TX 76262	
CHECKED			TITLE	
QA			DOORS, HARDWARE, AND ROOF CAP	
MFG				
APPROVED				
Part Mass	N/A		SIZE	DWG NO
			D	500-008700-000300001
			SCALE	REV
				1

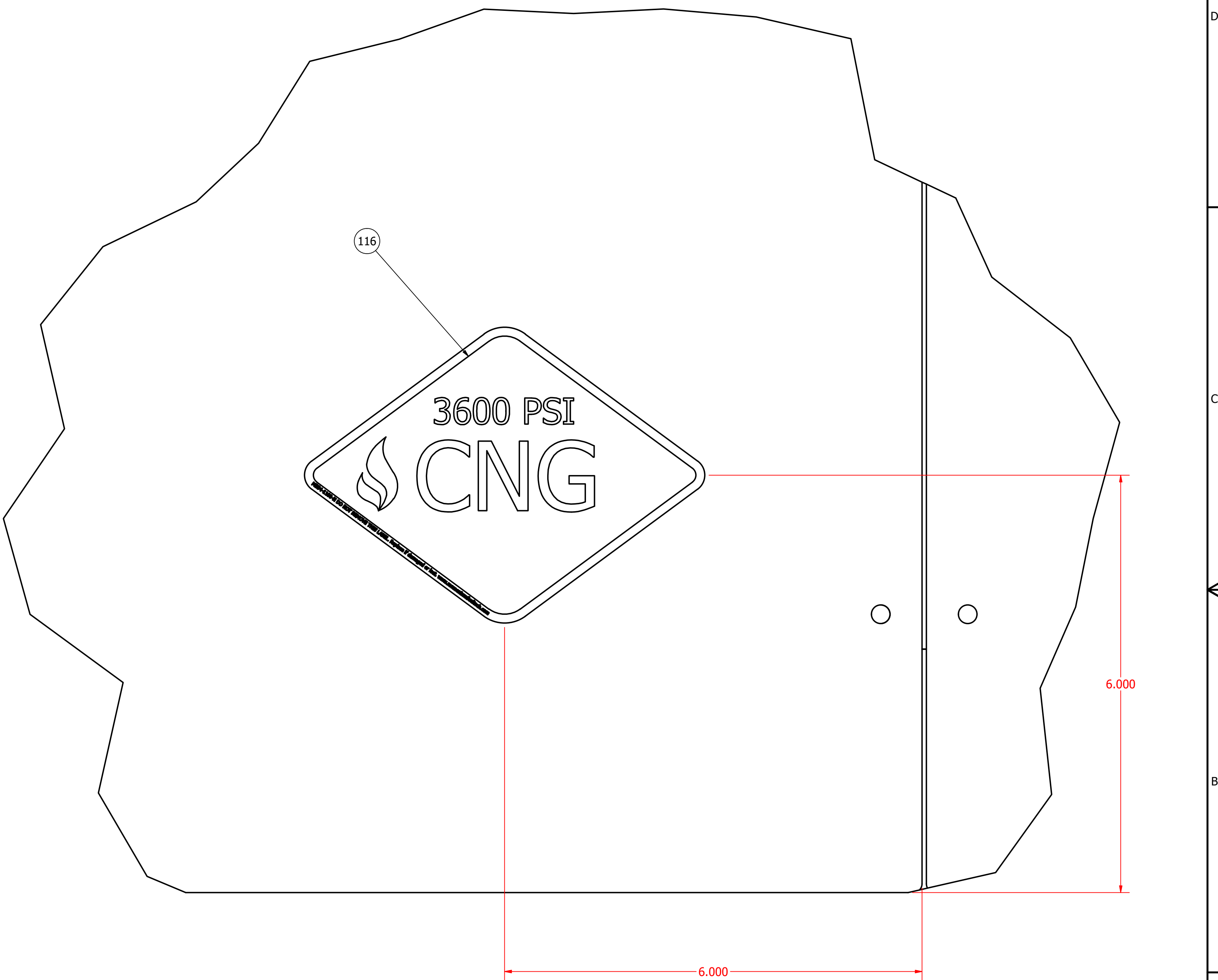
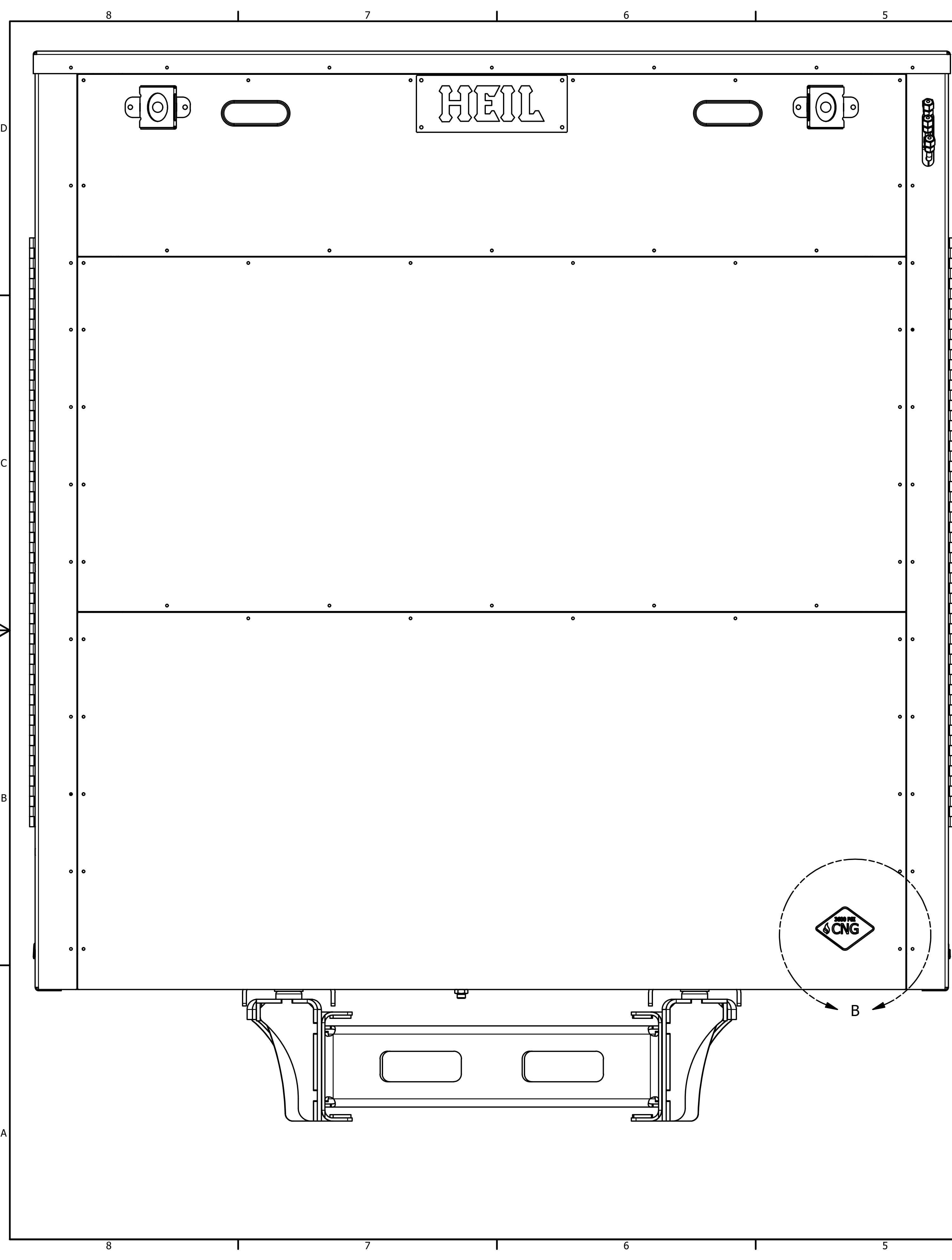


DRAWN brummerm	7/19/2016	 MOMENTUM FUEL TECHNOLOGIES 1051 Republic Drive, Suite 200 Roanoke, TX 76262	
CHECKED		TITLE	
QA		EXTERNAL DECALS	
MFG			
APPROVED			
Part Mass N/A		SIZE D	DWG NO 500-008700-000300001
		SCALE	REV



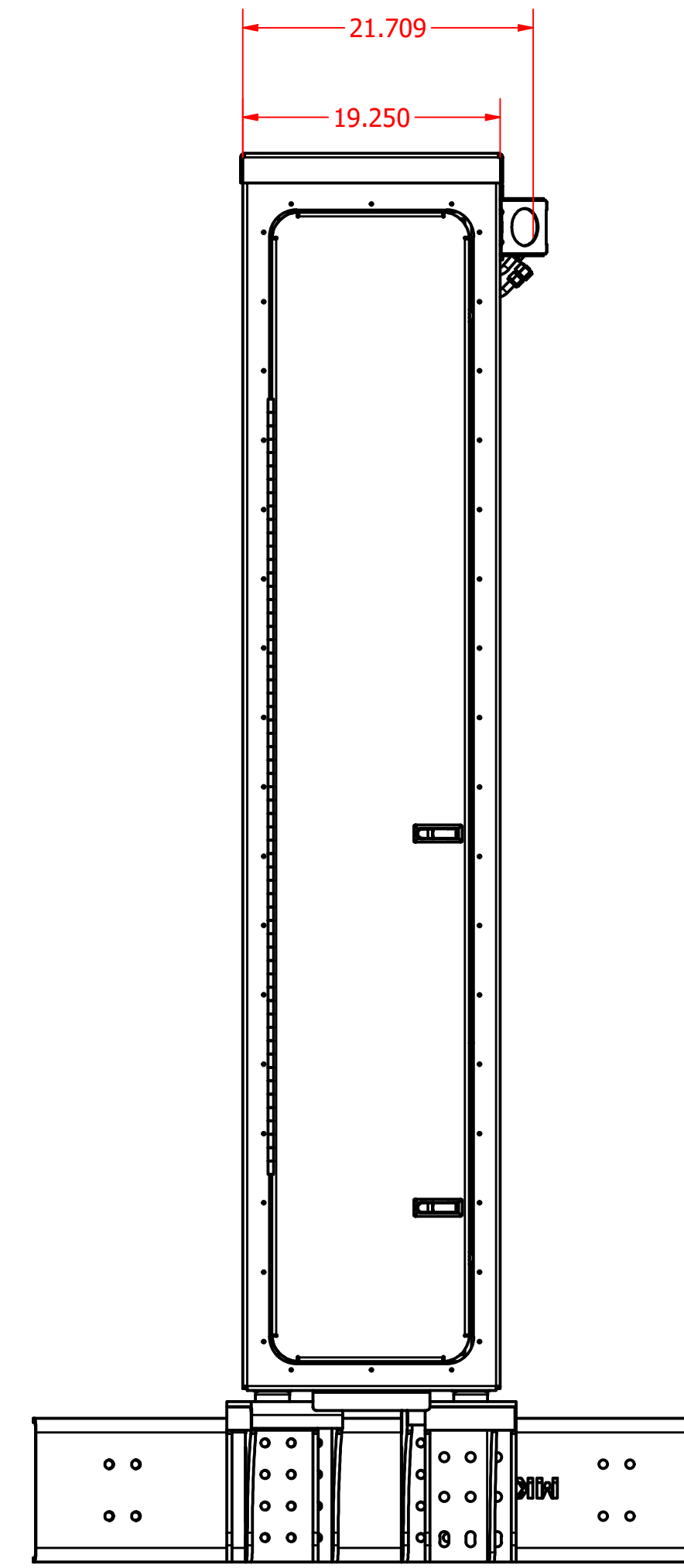
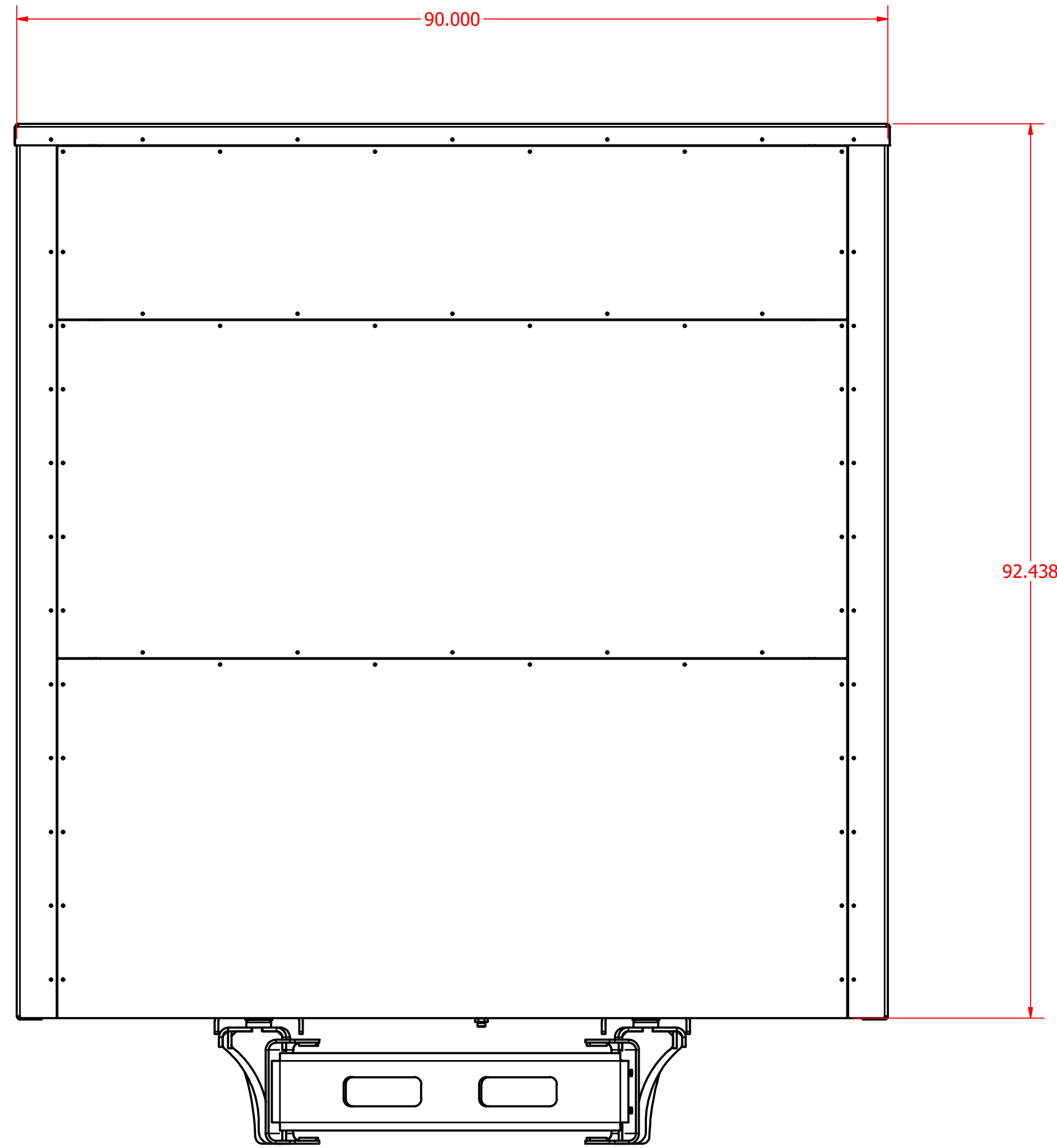
DETAIL A
SCALE 1 / 2


DRAWN brummerm	7/19/2016	 MOMENTUM FUEL TECHNOLOGIES 1051 Republic Drive, Suite 200 Roanoke, TX 76262	
CHECKED		TITLE EXTERNAL DECALS	
QA			
MFG			
APPROVED			
Part Mass N/A		SIZE D	DWG NO 500-008700-000300001
		SCALE	REV
		SHEET 11 OF 13	



DETAIL B
SCALE 1 : 1

DRAWN brummerm	7/19/2016	MOMENTUM FUEL TECHNOLOGIES 1051 Republic Drive, Suite 200 Roanoke, TX 76262	
CHECKED		EXTERNAL DECALS	
QA			
MFG			
APPROVED			
Part Mass N/A		SIZE D	DWG NO 500-008700-000300001
		SCALE	REV
		SHEET 12 OF 13	



DRAWN brummerm	7/19/2016	 MOMENTUM FUEL TECHNOLOGIES 1051 Republic Drive, Suite 200 Roanoke, TX 76262		
CHECKED		TITLE BASIC SYSTEM DIMENSIONS		
QA				
MFG				
APPROVED				
Part Mass N/A		SIZE D	DWG NO 500-008700-000300001	REV
		SCALE	SHEET 13 OF 13	