

NOTES:

- 1) FOR INFORMATION NOT CONTAINED IN THIS PRINT REFERENCE THE MATH DATA FOR THIS PART (400-007500-6201113)
- 2) ALL DIMENSIONS ARE IN INCHES
- 3) PART SHALL BE FREE OF BURRS, FLASH AND SHARP EDGES
- 4) MATERIAL: OR EQUIVALENT
MINIMUM YIELD STRENGTH: XX KSI
ESTIMATED WEIGHT: XX.XX LBS
- 5) INITIAL USE:
- 6) PART NUMBER, REV LEVEL, AND SUPPLIER CODE REQUIRED ON ALL PARTS. REFER TO DRAWING FOR SPECIFIC LOCATION, WHERE APPLICABLE. ETCH, STAMP, OR OTHERWISE PERMANENT MARKINGS SHALL BE PLACED IN SUCH A WAY THAT THEY ARE VISIBLE AFTER PART IS COATED OR PAINTED. SMALLER PARTS SHOULD HAVE THE INFORMATION ATTACHED BY THE BEST METHOD POSSIBLE. ALTERNATE MEANS OF ATTACHING INFORMATION MUST BE APPROVED
- 7) PART SHOWN IS LEFT HAND (LH)
LH PART NUMBER IS XXXX-XXXXL
RH PART NUMBER IS XXXX-XXXXR
(RH PART IS OPPOSITE, MIRROR OF WHAT IS SHOWN)

ALL DIMENSION TOLERANCES UNLESS NOTED
 ONE PLACE .X ±.06
 TWO PLACES .XX ±.03
 THREE PLACES .XXX ±.010
 FOUR PLACES .XXXX ±.0010
 ANGLES ±1.0
 ALL MACHINED SURFACES TO BE 250 RMS UNLESS NOTED.

CONFIDENTIAL AND TRADE SECRET INFORMATION OF NATURAL GAS FUEL SYSTEMS, INC. dba MOMENTUM FUEL TECHNOLOGIES
 This document and the information in it is confidential, proprietary and trade secret information of Natural Gas Fuel Systems, Inc. dba Momentum Fuel Technologies on behalf of itself and its subsidiaries and affiliates ("Momentum"). It contains information intended only for the person to whom it is transmitted and may not be disclosed to any third party, in whole or in part, or used to manufacture anything shown or referred to herein, without Momentum's express, written permission. This document must be returned to Momentum on request.

Any form of reproduction, dissemination, copying, disclosure, modification, distribution, and or publication of this document and the information contained herein is strictly prohibited.

This notice must appear on any complete or partial reproduction of this document or the information contained herein.

Copyright © 2016 Natural Gas Fuel Systems, Inc. dba Momentum Fuel Technologies. All rights reserved.

I

DO NOT SCALE THIS PRINT

DRAWN BellingerJ	12/13/2018	 MOMENTUM FUEL TECHNOLOGIES 1051 Republic Drive, Suite 200 Roanoke, TX 76262	ROOF MOUNT SYSTEM - 75 DGE, NEW WAY, FRONT LOADER WITH TOP DOOR
CHECKED			
QA		SIZE D	DWG NO 400-007500-6201113
MFG		SCALE	REV
APPROVED			
Part Mass N/A			
		SHEET 1 OF 5	

ITEM	QTY	PART NUMBER	DESCRIPTION	ITEM	QTY	PART NUMBER	DESCRIPTION
1	1	ME04-1948	STRUCTURE - CHANNEL, FRONT MTG, LONGITUDINAL ROOF, NEW WAY TOP DOOR	54	1	MC41-1633	BRACKET - COVER SUPPORT, LH
2	1	ME04-1963	STRUCTURE - CHANNEL, REAR MTG, LONGITUDINAL ROOF, NEW WAY TOP DOOR	55	2	MC41-1630	BRACKET - COVER, LH ANGLE SUPPORTS, NEW WAY TOP DOOR ROOF MOUNT
3	4	ME04-1958	STRUCTURE - ANGLE VERTICAL OPPOSITE, WELDMENT, NEW WAY ROOF MOUNT	56	2	MC41-1634	COVER - NEW WAY, BOTTOM
4	4	ME04-1959	STRUCTURE - ANGLE VERTICAL, NEW WAY ROOF MOUNT WELDMENT	57	2	MC41-1636	COVER - PANEL, TOP, OUTBOARD, NEW WAY ROOF MOUNT
5	2	ME04-1961	STRUCTURE - ANGLE VERTICAL CENTER, OPPOSITE WELDMENT, NEW WAY ROOF MOUNT	58	1	MC41-1637	COVER - PANEL, TOP, CENTER, NEW WAY ROOF MOUNT
6	2	ME04-1962	STRUCTURE - ANGLE VERTICAL CENTER WELDMENT, NEW WAY ROOF MOUNT	59	2	ME04-1969	STRUCTURE - BOTTOM COVER, OUTBOARD, LONGITUDINAL ROOF MOUNT
7	4	ME04-1968	STRUCTURE - TOP COVER, CENTER LONGITUDINAL ROOF MOUNT	60	2	ME04-1970	STRUCTURE - TOP COVER, OUTBOARD, LONGITUDINAL ROOF MOUNT
8	2	ME04-1971	STRUCTURE - TOP COVER, CENTER, OUTBOARD, LONGITUDINAL ROOF MOUNT	61	1	ME04-1974	STRUCTURAL - FRONT MOUNTING PLATE, NEW WAY ROOF MOUNT, LH
9	1	ME04-1972	STRUCTURE - BOTTOM COVER, CENTER TUNNEL, LONGITUDINAL ROOF MOUNT	62	164	MH27-1001-006-16-125-YZ-008-HH	HARDWARE - BOLT 3/8"-16 X 1.25, YELLOW ZINC, HEX HEAD, GRADE 8
10	2	ME04-1949	STRUCTURE - SUPPORT, FRONT COVER, NEW WAY ROOF MOUNT	63	454	MH27-1004-M06-FL-SS-008	WASHER - 3/8", YELLOW ZINC, GRADE 8
11	2	ME04-1950	STRUCTURE - SUPPORT, FRONT COVER, OPPOSITE WELDMENT, NEW WAY ROOF MOUNT	64	200	MH27-1003-006-16-YZ-008-NL	NUT - NYLON LOCKING, 3/8"-16, YELLOW ZINC GRADE 8
12	4	MS19-1600	VALVE-TANK, OMB BETA NEW PLUS	65	1	ME04-1991	STRUCTURAL - FRONT MOUNTING PLATE, NEW WAY ROOF MOUNT, RH
13	4	ME04-1058-R0331	STRUCTURE - NECK BLOCK, INSERT, ANODIZED BLUE	66	1	ME04-1977	STRUCTURE - BOTTOM COVER, REAR CENTER TUNNEL, LONGITUDINAL ROOF MOUNT
14	8	ME04-1128-N	STRUCTURE NECK BLOCK, THREADED, ANODIZED BLUE, M56-2 THREAD	67	1	ME04-1979	STRUCTURE - BOTTOM COVER, FRONT CENTER TUNNEL, LONGITUDINAL ROOF MOUNT
15	4	MD04-1000	BUSHING - NECK BLOCK, INSERT BUSHING	68	2	ME04-1975	STRUCTURE - CHANNEL, CENTER TUNNEL SUPPORT, FRONT / REAR
16	4	MA01-1106-N	TANK - 15.75" X 100", LUXFER, 250L WATER VOLUME	69	180	MH27-1009	NUT - HALF HEX RIVET - 1/4"-20 (GRIP RANGE 0.165-0.260)
17	5	MW18-1000	PRD - OMB YORK	70	2	MT21-2004-RED	TUBING 1/2" - PRD TO PRD, TOP CENTER, NEW WAY, PAINTED RED
18	30	MF17-1015		71	2	MT21-2004-N	TUBING 1/2" - PRD TO PRD, TOP CENTER, NEW WAY
19	1	MD23-1176-N	BRACKET - PRD MOUNT, TOP DOOR, ROOF MOUNT	72	38	MH27-1001-006-16-150-YZ-008-HH	HARDWARE - BOLT 3/8"-16 X 1.50, YELLOW ZINC, HEX HEAD, GRADE 8
20	1	SS_810_61	FITTING - BULKHEAD 1/2" TUBE, STRAIGHT	73	1	MD23-1683	BRACKET - HYDRAULIC CYLINDER SUPPORT, NEW WAY TOP DOOR ROOF MOUNT
21	1	MF17-1013	ELBOW - 90° 1/2" STANDARD O-RING X 1/2" ORFS (O-RING FACE SEAL)	74	124	MH27-1001-004-20-100-ZN-008-BH	HARDWARE - BOLT 1/4"-20 X 1.00, YELLOW ZINC, BUTTION HEAD, GRADE 8
22	1	MF17-1016	PLUG - #8 ORING BOSS	75	72	MH27-1001-004-20-100-YZ-008-HH	HARDWARE - BOLT 1/4"-20 X 1.00, YELLOW ZINC, HEX HEAD, GRADE 8
23	2	MF17-1023	FITTING - UNION TEE - 8 X-8 X-8	76	36	MH27-1001-006-16-125-ZN-008-BH	HARDWARE - BOLT 3/8"-16 X 1.25, YELLOW ZINC, BUTTION HEAD, GRADE 8
24	1	MT21-1991-YELLOW	TUBING 1/2" - NEW WAY, HP FUEL, TANK TO BULKHEAD	77	38	MH27-1010	NUT - HALF HEX RIVET, 3/8"-16, GRADE 5, (GRIP RANGE 0.150" - 0.312")
25	2	MT21-1992-YELLOW	TUBING 1/2" - NEW WAY, HP FUEL, TANK TO TANK	78	8	MH27-1001-010-11-200-YZ-008-HH	HARDWARE - BOLT 5/8"-11 X 2.00, YELLOW ZINC, HEX HEAD, GRADE 8
26	1	MT21-1993-YELLOW	TUBING 1/2" - NEW WAY, HP FUEL, TANK 2 TO TANK 3	79	8	MH27-1003-010-11-YZ-008-NL	NUT - LOCK, 5/8"-11 NYLON LOCKING, YELLOW ZINC, GRADE 8
27	1	MT21-1995-RED	TUBING 1/2" - NEW WAY, PRD SUPPLY, LEFT-HAND, TEE TO PRD	80	10	MH27-1003-004-20-YZ-008-NL	NUT - NYLON LOCKING, 1/4"-20, YELLOW ZINC, GRADE 8
28	1	MT21-1996-RED	TUBING 1/2" - NEW WAY, PRD SUPPLY, LEFT-HAND, PRD TO PRD, FRONT	81	2	ME04-1982	STRUCTURE - UPPER CHANNEL WELDMENT, NEW WAY TOP DOOR ROOF-MOUNT
29	1	MT21-1998-RED	TUBING 1/2" - NEW WAY, PRD SUPPLY, RIGHT-HAND, TEE TO PRD	82	222	MH27-1004-004-FL-YZ-008	WASHER - FLAT, 1/4" YELLOW ZINC, HARDENED (GRADE 8)
30	1	MT21-1999-N	TUBING 1/2" - NEW WAY, PRD VENT, LEFT-HAND, PRD TO VENT	83	2	MH27-1017	U-NUT 1/4"-20-25/32"
31	1	MT21-2000-N	TUBING 1/2" - NEW WAY, PRD VENT, LEFT-HAND, PRD TO PRD, FRONT	84	4	MB34-1110-N	DECAL - HIGH PRESSURE CNG
32	1	MF17-1022	FITTING - TEE - SWIVEL RUN - 8 FEMALE SWIVEL X-8X-8 ORFS	85	14	MB34-1109-N	DECAL - PRD, HIGH PRESSURE
33	1	MT21-1997-RED	TUBING 1/2" - NEW WAY, PRD SUPPLY, RIGHT-HAND, PRD TO PRD, FRONT	86	10	MB34-1632	DECAL-PRD VENT
34	1	MT21-2002-N	TUBING 1/2" - NEW WAY, PRD VENT, RIGHT-HAND, PRD TO VENT	87	1	MB34-1614	DECAL - TANK PRESSURE, RED BORDER
35	4	MF38-1601	O-RING - O-RING BOSS, TANK VALVE - 216BN90	88	2	MB34-1145-N	DECAL - PRD VENT LOCATION, (NFPA)
36	4	MF17-1629	FITTING - PLUG, COBHAM	89	4	MB34-1135-N	DECAL - MANUAL SHUT OFF VALVE INSIDE
37	1	MT21-2001-N	TUBING 1/2" - NEW WAY, PRD VENT, RIGHT-HAND, PRD TO PRD, FRONT	90	2	MB34-1100-N	DECAL - 3600 PSI CNG
38	3	ME04-1952	STRUCTURE - SUPPORT, REAR COVER WELDMENT OPPOSITE, NEW WAY ROOF MOUNT	91	2	MB34-1001-DECAL	EMBLEM - MOMENTUM
39	3	ME04-1951	STRUCTURE - SUPPORT, REAR COVER, WELDMENT, NEW WAY ROOF MOUNT	92	8	MH27-1014	U-NUT - 1/4" - 20
40	4	MD18-1604	BRACKET - NEW WAY, TUBING SUPPORT ASSEMBLY	93	8	MH27-1102-N	FASTENER - WING SCREW STAMPED, 004-20-075-ZN
41	6	MD20-1007	CLAMP - TUBE, DOUBLE, 1/2"	94	16	MH27-1001-008-13-550-YZ-008-HH	HARDWARE - BOLT, 1/2"-13 X 5.50, YELLOW ZINC, HEX HEAD, GRADE 8
42	6	MD20-1008	PLATE - CLAMP, DOUBLE 1/2"	95	16	MH27-1003-008-13-YZ-008-NL	NUT - NYLON LOCKING, 1/2"-13, YELLOW ZINC, GRADE 8
43	16	MH27-1001-004-20-225-YZ-008-HH	HARDWARE - BOLT 1/4"-20 X 2.25, YELLOW ZINC, HEX HEAD, GRADE 8	97	1	MB34-1007_wImage	
44	1	MC41-1622	COVER - NEW WAY, REAR, CENTER	98	1	MC41-1660	COVER - NEW WAY, SIDE, LH FRONT, 75 DGE SYSTEM
45	1	MC41-1620	COVER - NEW WAY, REAR, LH	99	1	MC41-1661	COVER - NEW WAY, SIDE, LH REAR, 75 DGE SYSTEM
46	1	MC41-1628	COVER - NEW WAY, REAR, RH	100	1	MC41-1662	COVER - NEW WAY, SIDE, RH FRONT, 75 DGE SYSTEM
47	4	MC40-1600	COVER - RM - ZR, REAR VALVE ACCESS	101	1	MC41-1663	COVER - NEW WAY, SIDE, RH REAR, 75 DGE SYSTEM
48	1	MC41-1624	COVER - FRONT CENTER, NEW WAY, ROOF MOUNT	102	5	MT21-2124-RED	TUBING 1/2" - NEW WAY, PRD SUPPLY, VALVE TO TEE
49	1	MC41-1623	COVER - FRONT RIGHT CORNER, NEW WAY, ROOF MOUNT	103	2	ME29-1678	
50	1	MC41-1625	COVER - FRONT LH, NEW WAY, ROOF MOUNT	104	1	MF17-1150-N	
51	2	MC41-1626	COVER - FRONT BOTTOM, NEW WAY, ROOF MOUNT	105	1	MT21-2131-RED	TUBING 3/8" - NEW WAY, TANK PRESSURE, PRD SUPPLY, SWAGELOK GAUGE
52	2	MC41-1631	BRACKET - COVER, ANGLE SUPPORTS, NEW WAY TOP DOOR ROOF MOUNT	106	1	MD04-1920	BRACKET - NON-STRUCTURAL, BULKHEAD/PRESSURE GAUGE, MOUNT, SWAGELOK GAUGE
53	1	MC41-1632	BRACKET - COVER SUPPORT, RH	107	1	MF17-1628	FITTING - UNION, 90° ELBOW, TUBE, 3/8" TUBE OD
				108	1	MG04-1600	SUPPORT - GAUGE MOUNT
				109	32	MH27-1004-008-FL-YZ-008	WASHER - FLAT, 1/2", YELLOW ZINC, HARDENED (GRADE 8)
				110	1	MG25-1607	GAUGE, 0-6000 PSI, 2.5" DIAMETER PANEL MOUNT, SILICONE FILED, 3/8" TUBE STUB CENTER BACK CONNECTION
				111	2	MF18-1000-RED	CAP - VENT, HEAVY DUTY, 0.5"
				112	126	MH27-1006-004-LK-YZ-008	WASHER - 1/4", LOCK WASHER, YZ, GRADE 8
				113	36	MH27-1006-006-LK-YZ-008	WASHER - 3/8", LOCK WASHER, YZ, GRADE 8

CONFIDENTIAL AND TRADE SECRET INFORMATION OF NATURAL GAS FUEL SYSTEMS, INC. dba MOMENTUM FUEL TECHNOLOGIES

This document and the information in it is confidential, proprietary and trade secret information of Natural Gas Fuel Systems, Inc. dba Momentum Fuel Technologies on behalf of itself and its subsidiaries and affiliates ("Momentum"). It contains information intended only for the person to whom it is transmitted and may not be disclosed to any third party, in whole or in part, or used to manufacture anything shown or referred to herein, without Momentum's express, written permission. This document must be returned to Momentum on request.


Any form of reproduction, dissemination, copying, disclosure, modification, distribution, and or publication of this document and the information contained herein is strictly prohibited.

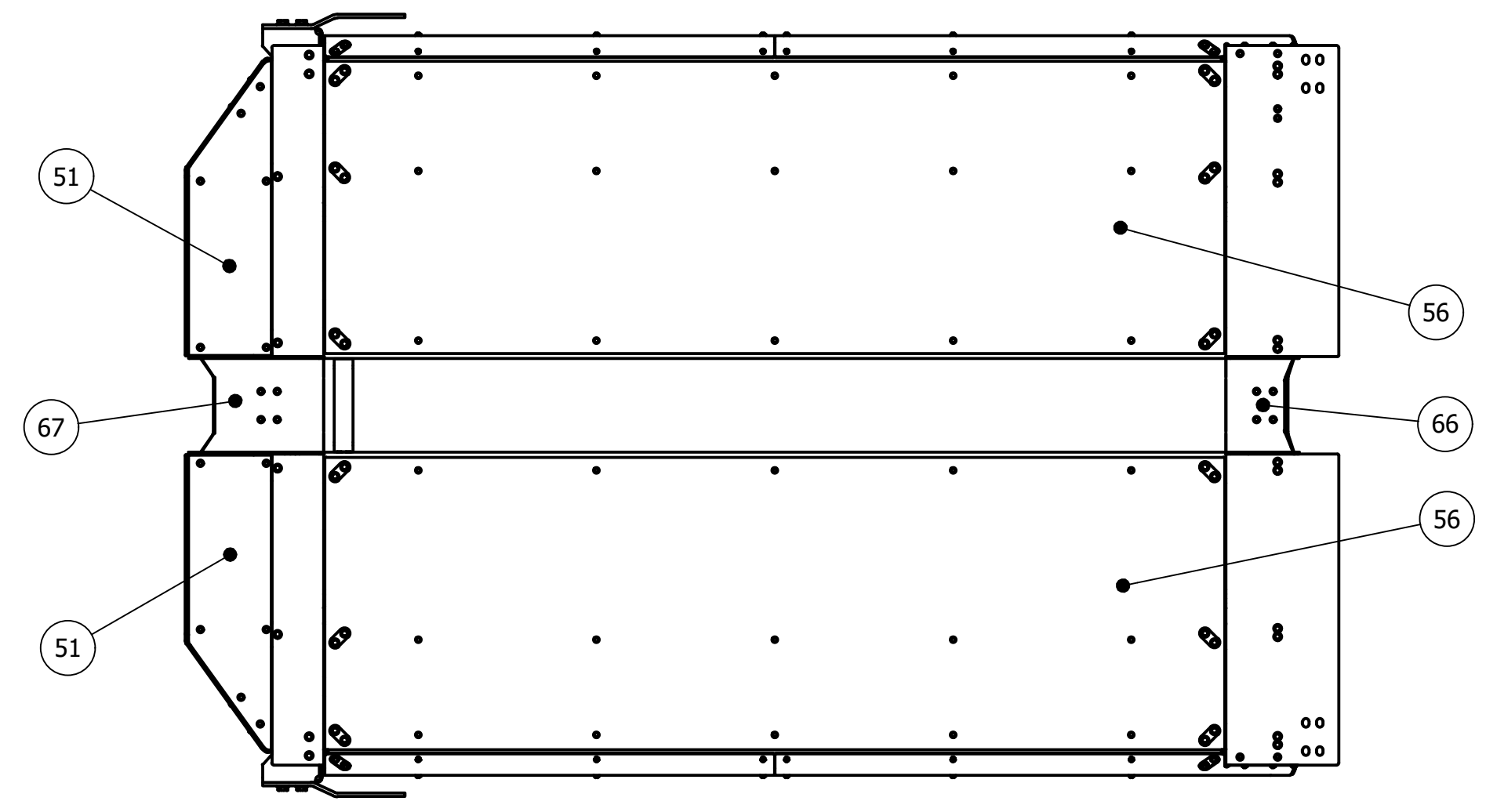
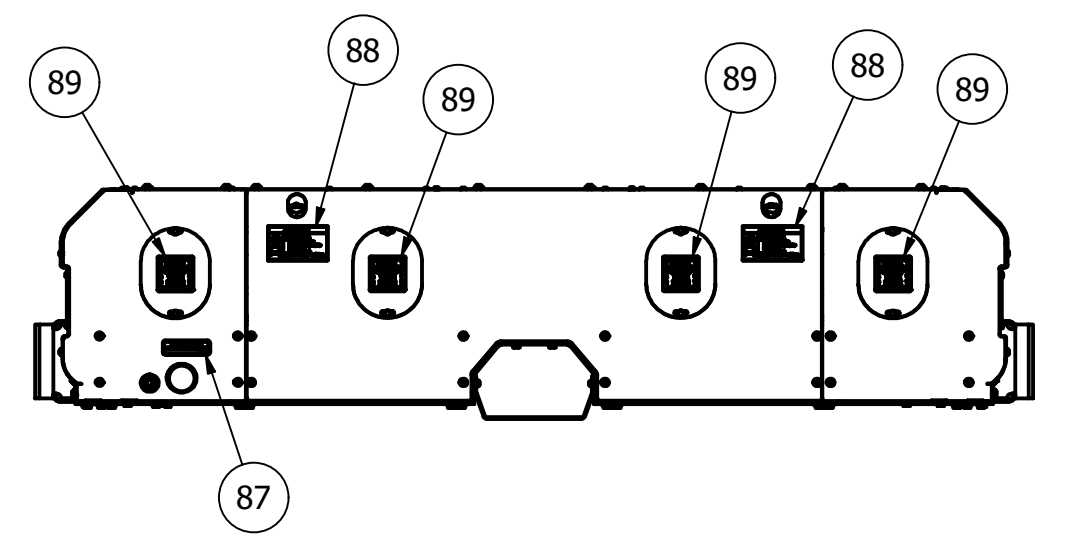
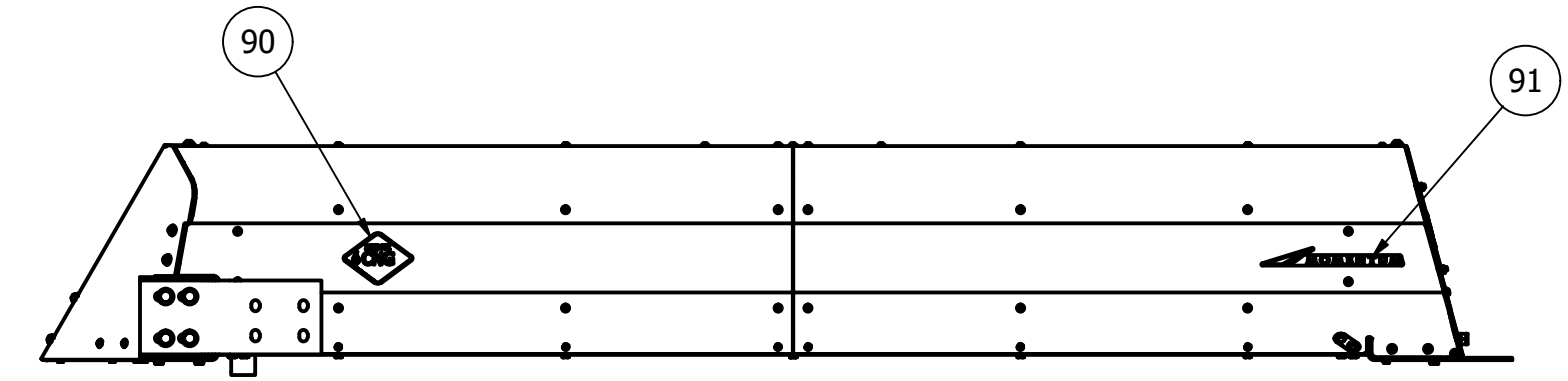
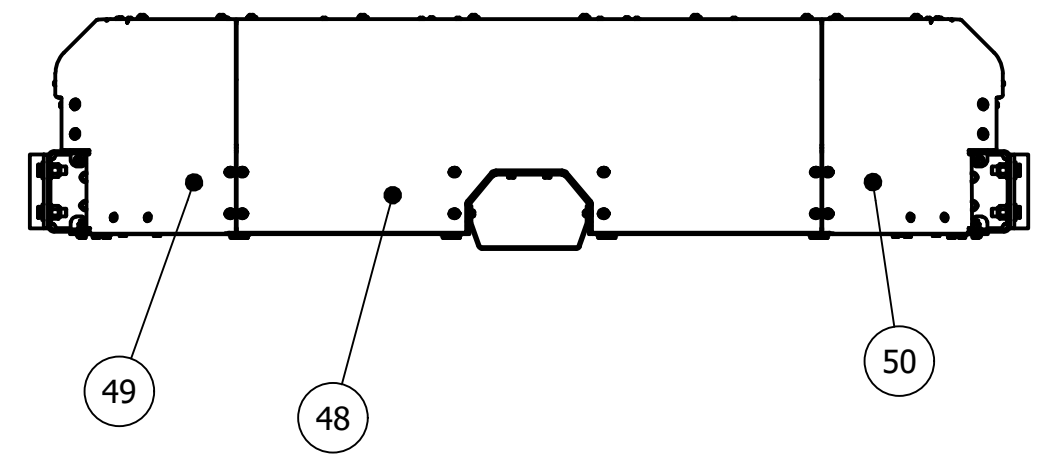
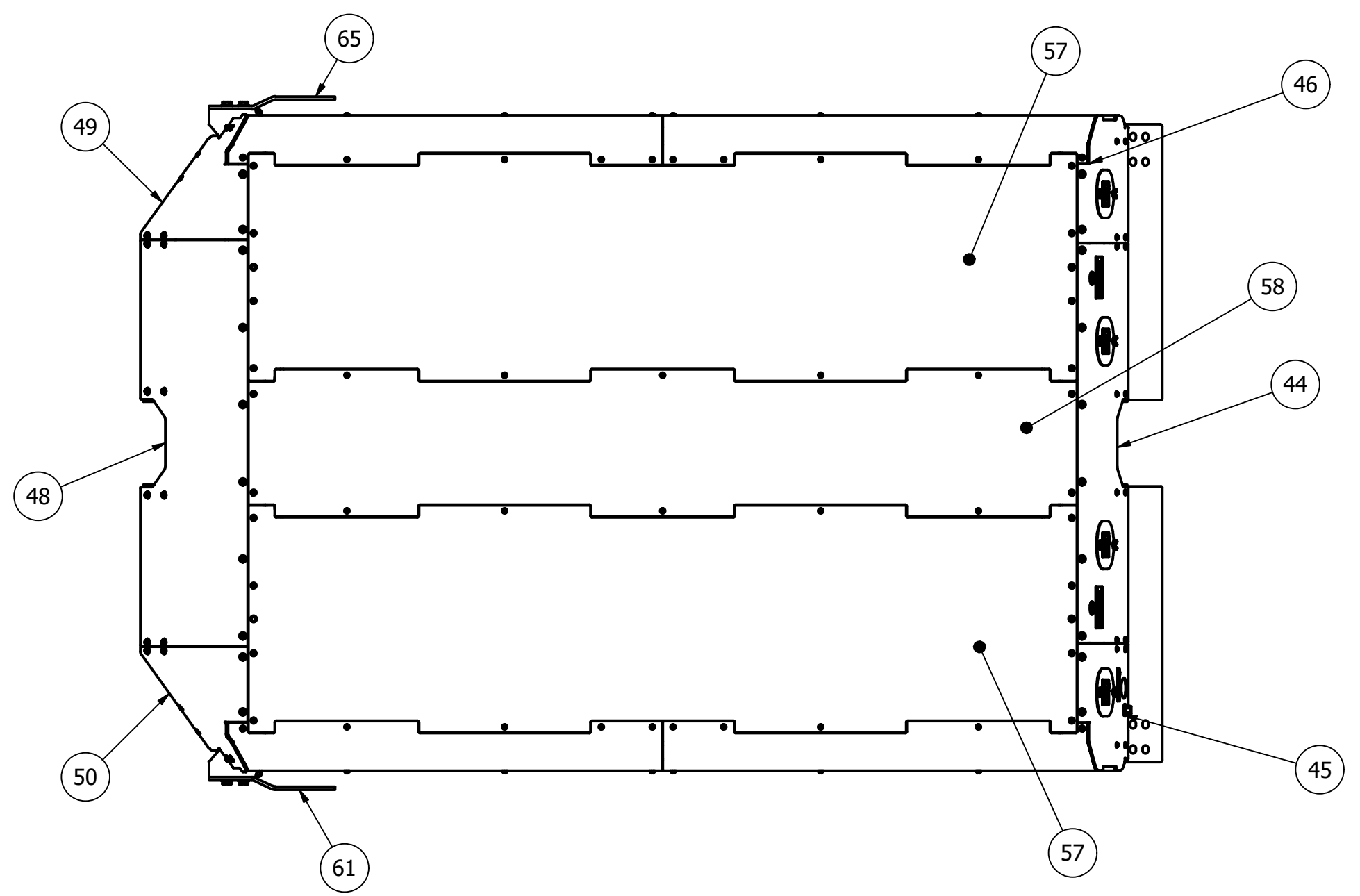
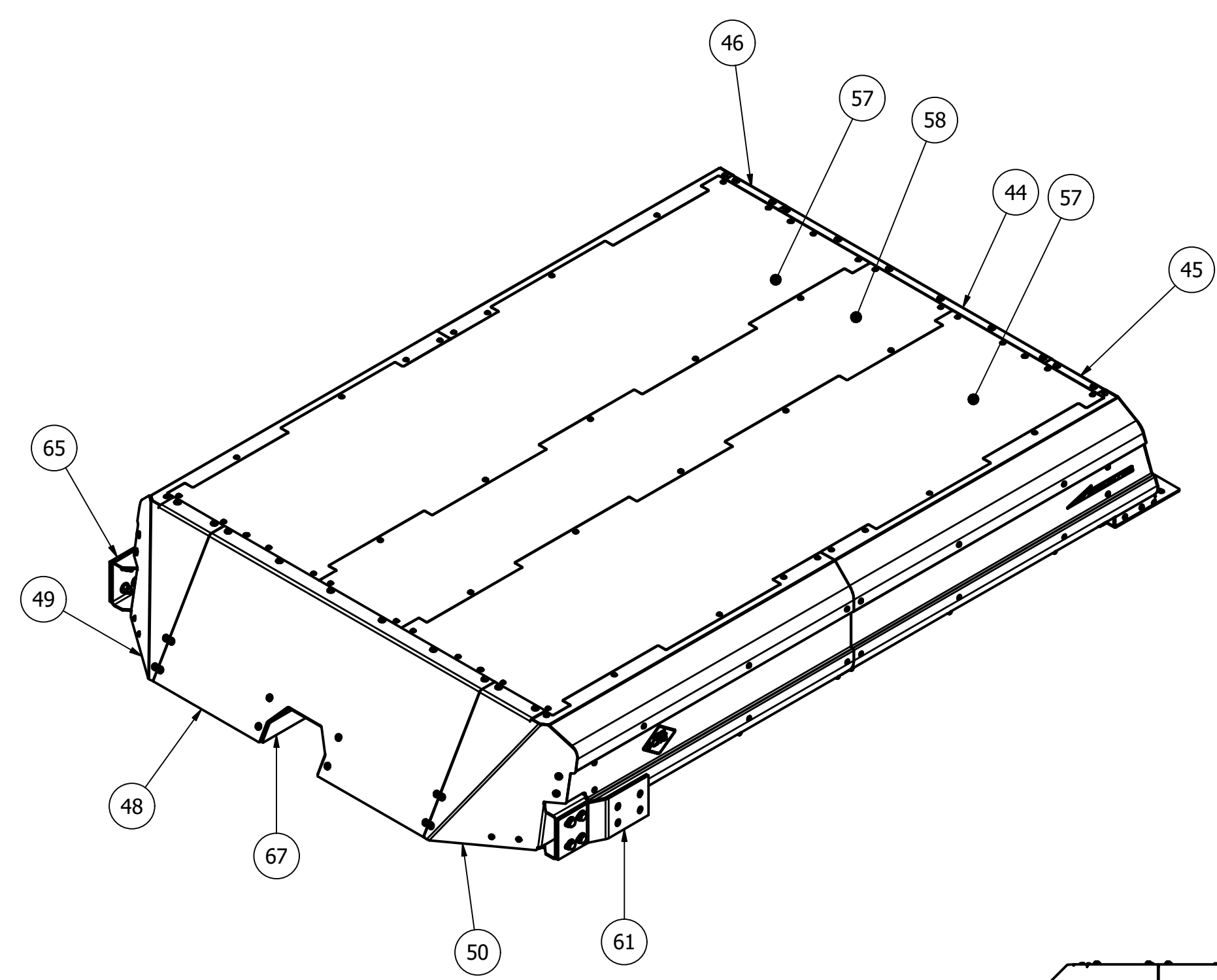
This notice must appear on any complete or partial reproduction of this document or the information contained herein.

Copyright © 2016 Natural Gas Fuel Systems, Inc. dba Momentum Fuel Technologies. All rights reserved.

ALL DIMENSION TOLERANCES UNLESS NOTED
ONE PLACE .X ±.06
TWO PLACES .XX ±.03
THREE PLACES .XXX ±.010
FOUR PLACES .XXXX ±.0010
ALL MACHINED SURFACES TO BE 250 RMS UNLESS NOTED.

DO NOT SCALE THIS PRINT

DRAWN	BellingerJ	12/13/2018	 MOMENTUM FUEL TECHNOLOGIES 1051 Republic Drive, Suite 200 Roanoke, TX 76262	
CHECKED			TITLE	ROOF MOUNT SYSTEM - 75 DGE, NEW WAY, FRONT LOADER WITH TOP DOOR
QA			SIZE	D
MFG			DWG NO	400-007500-6201113
APPROVED			REV	
Part Mass			SCALE	
				SHEET 2 OF 5



CONFIDENTIAL AND TRADE SECRET INFORMATION OF NATURAL GAS FUEL SYSTEMS, INC. dba MOMENTUM FUEL TECHNOLOGIES

This document and the information in it is confidential, proprietary and trade secret information of Natural Gas Fuel Systems, Inc. dba Momentum Fuel Technologies on behalf of itself and its subsidiaries and affiliates ("Momentum"). It contains information intended only for the person to whom it is transmitted and may not be disclosed to any third party, in whole or in part, or used to manufacture anything shown or referred to herein, without Momentum's express, written permission. This document must be returned to Momentum on request.

Any form of reproduction, dissemination, copying, disclosure, modification, distribution, and or publication of this document and the information contained herein is strictly prohibited.

This notice must appear on any complete or partial reproduction of this document or the information contained herein.

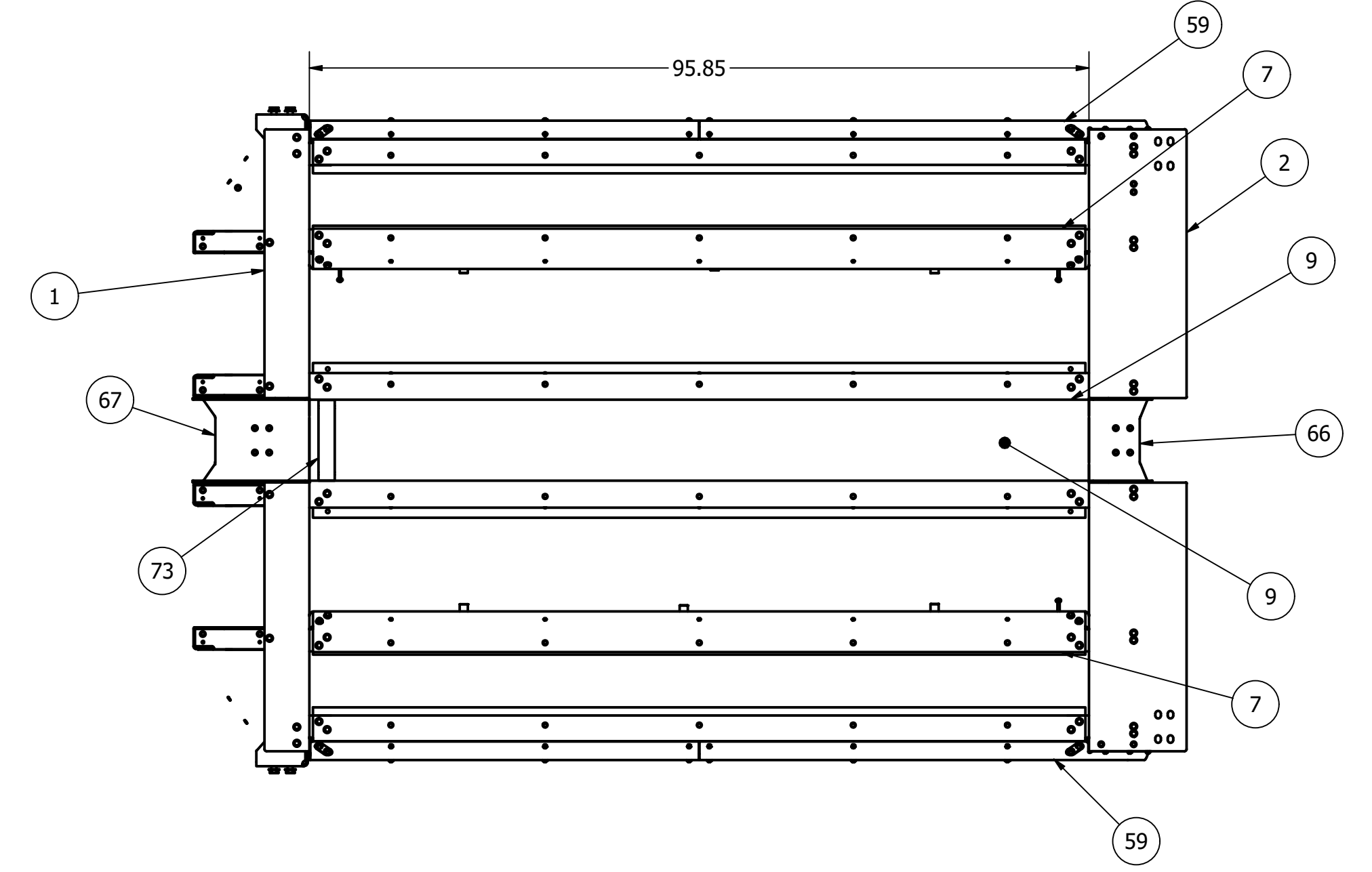
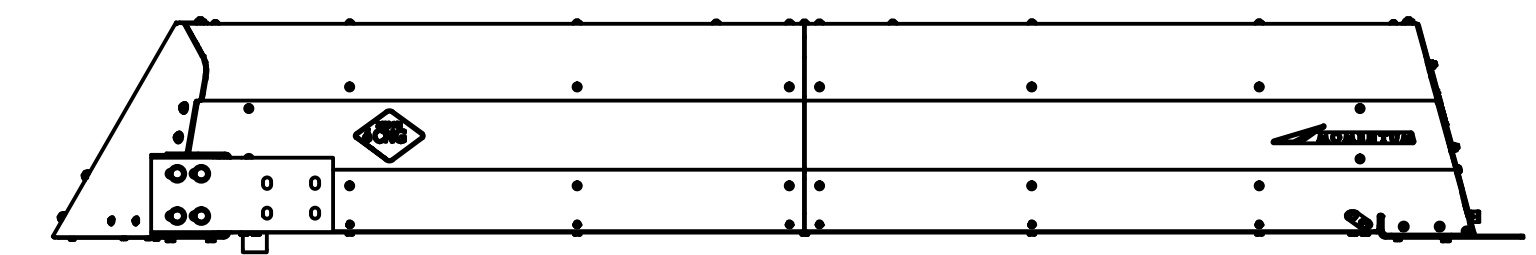
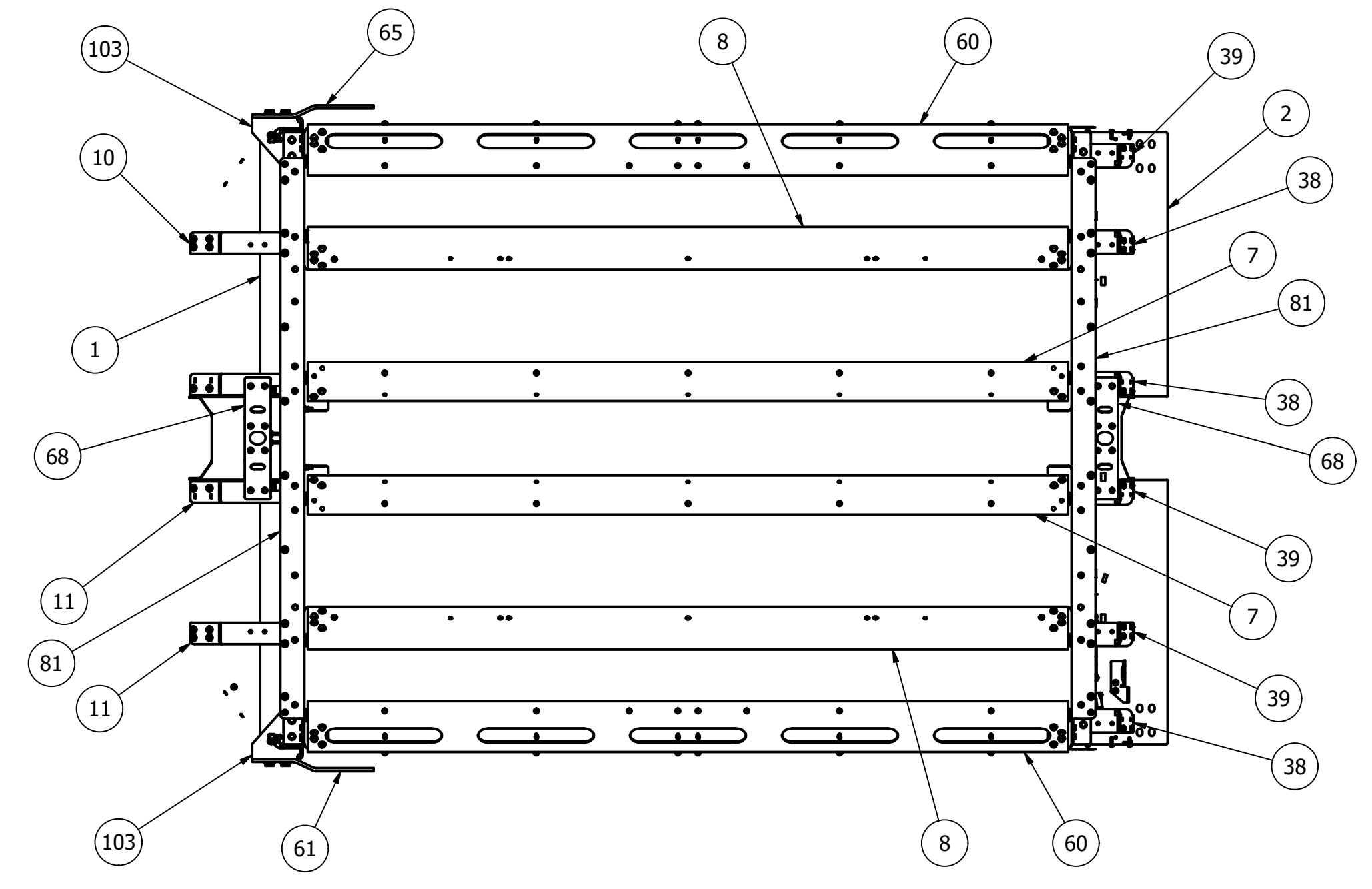
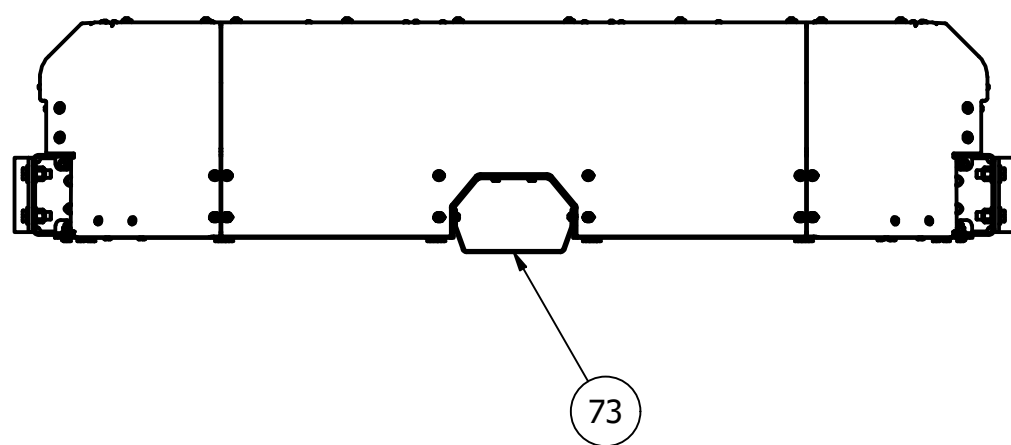
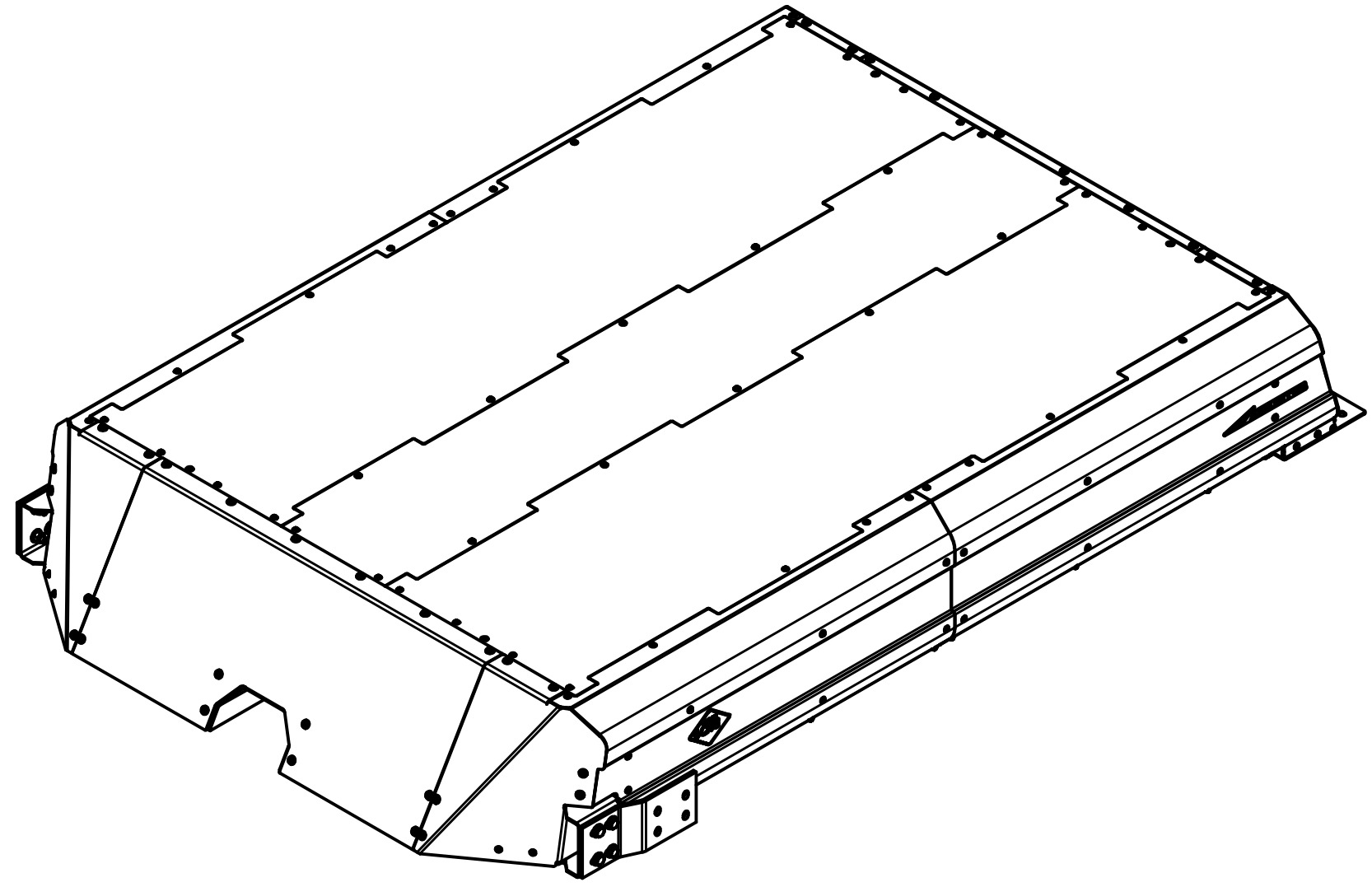
Copyright © 2016 Natural Gas Fuel Systems, Inc. dba Momentum Fuel Technologies. All rights reserved.

ALL DIMENSION TOLERANCES UNLESS NOTED
 ONE PLACE .X ±.06
 TWO PLACES .XX ±.03
 THREE PLACES .XXX ±.010
 FOUR PLACES .XXXX ±.0010
 ALL MACHINED SURFACES TO BE 250 RMS UNLESS NOTED.

DO NOT SCALE THIS PRINT

DRAWN BellingerJ	12/13/2018	MOMENTUM FUEL TECHNOLOGIES 1051 Republic Drive, Suite 200 Roanoke, TX 76262
CHECKED		
QA		TITLE
MFG		ROOF MOUNT SYSTEM - 75 DGE, NEW WAY, FRONT LOADER WITH TOP DOOR
APPROVED		SIZE
Part Mass N/A		DWG NO
		400-007500-6201113
		SCALE
		SHEET 3 OF 5

8 7 6 5 4 3 2 1



CONFIDENTIAL AND TRADE SECRET INFORMATION OF NATURAL GAS FUEL SYSTEMS, INC. dba MOMENTUM FUEL TECHNOLOGIES
 This document and the information in it is confidential, proprietary and trade secret information of Natural Gas Fuel Systems, Inc. dba Momentum Fuel Technologies on behalf of itself and its subsidiaries and affiliates ("Momentum"). It contains information intended only for the person to whom it is transmitted and may not be disclosed to any third party, in whole or in part, or used to manufacture anything shown or referred to herein, without Momentum's express, written permission. This document must be returned to Momentum on request.

Any form of reproduction, dissemination, copying, disclosure, modification, distribution, and or publication of this document and the information contained herein is strictly prohibited.

This notice must appear on any complete or partial reproduction of this document or the information contained herein.

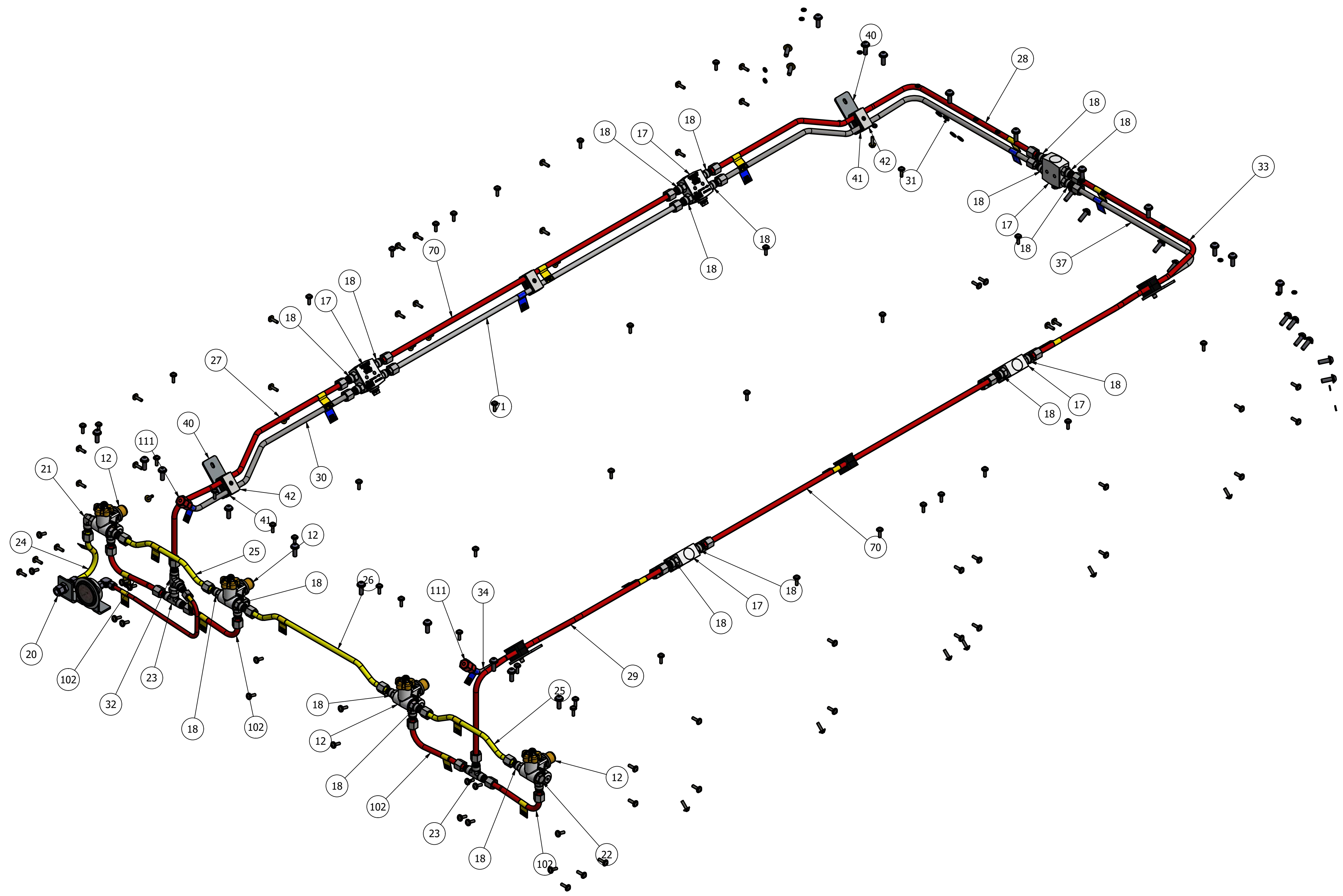
Copyright © 2016 Natural Gas Fuel Systems, Inc. dba Momentum Fuel Technologies. All rights reserved.

ALL DIMENSION TOLERANCES UNLESS NOTED
 ONE PLACE .X ±.06
 TWO PLACES .XX ±.03
 THREE PLACES .XXX ±.010
 FOUR PLACES .XXXX ±.0010
 ALL MACHINED SURFACES TO BE 250 RMS UNLESS NOTED.

DO NOT SCALE THIS PRINT

DRAWN BellingerJ	12/13/2018	MOMENTUM FUEL TECHNOLOGIES 1051 Republic Drive, Suite 200 Roanoke, TX 76262
CHECKED		
QA		TITLE
MFG		ROOF MOUNT SYSTEM - 75 DGE, NEW WAY, FRONT LOADER WITH TOP DOOR
APPROVED		SIZE
Part Mass N/A		D
		DWG NO
		400-007500-6201113
		SCALE
		SHEET 4 OF 5

8 7 6 5 4 3 2 1



CONFIDENTIAL AND TRADE SECRET INFORMATION OF NATURAL GAS FUEL SYSTEMS, INC. dba MOMENTUM FUEL TECHNOLOGIES

This document and the information in it is confidential, proprietary and trade secret information of Natural Gas Fuel Systems, Inc. dba Momentum Fuel Technologies on behalf of itself and its subsidiaries and affiliates ("Momentum"). It contains information intended only for the person to whom it is transmitted and may not be disclosed to any third party, in whole or in part, or used to manufacture anything shown or referred to herein, without Momentum's express, written permission. This document must be returned to Momentum on request.


Any form of reproduction, dissemination, copying, disclosure, modification, distribution, and or publication of this document and the information contained herein is strictly prohibited.

This notice must appear on any complete or partial reproduction of this document or the information contained herein.

Copyright © 2016 Natural Gas Fuel Systems, Inc. dba Momentum Fuel Technologies. All rights reserved.

ALL DIMENSION TOLERANCES UNLESS NOTED
 ONE PLACE .X ±.06
 TWO PLACES .XX ±.03
 THREE PLACES .XXX ±.010
 FOUR PLACES .XXXX ±.0010
 ALL MACHINED SURFACES TO BE 250 RMS UNLESS NOTED.

DO NOT SCALE THIS PRINT

DRAWN BellingerJ	12/13/2018	 MOMENTUM FUEL TECHNOLOGIES 1051 Republic Drive, Suite 200 Roanoke, TX 76262	TITLE ROOF MOUNT SYSTEM - 75 DGE, NEW WAY, FRONT LOADER WITH TOP DOOR
CHECKED			
QA		SIZE D	DWG NO 400-007500-6201113
MFG			
APPROVED		SCALE 	REV
Part Mass N/A			
		SHEET 5 OF 5	