

**CONFIDENTIAL AND TRADE SECRET INFORMATION OF NATURAL GAS FUEL SYSTEMS, INC. dba MOMENTUM FUEL TECHNOLOGIES**  
 This document and the information in it is confidential, proprietary and trade secret information of Natural Gas Fuel Systems, Inc. dba Momentum Fuel Technologies on behalf of itself and its subsidiaries and affiliates ("Momentum"). It contains information intended only for the person to whom it is transmitted and may not be disclosed to any third party, in whole or in part, or used to manufacture anything shown or referred to herein, without Momentum's express, written permission. This document must be returned to Momentum on request.

Any form of reproduction, dissemination, copying, disclosure, modification, distribution, and or publication of this document and the information contained herein is strictly prohibited.

This notice must appear on any complete or partial reproduction of this document or the information contained herein.

Copyright © 2020 Natural Gas Fuel Systems, Inc. dba Momentum Fuel Technologies. All rights reserved.

ALL DIMENSION TOLERANCES UNLESS NOTED  
 ONE PLACE .X ±.06  
 TWO PLACES .XX ±.03  
 THREE PLACES .XXX ±.010  
 FOUR PLACES .XXXX ±.0010  
 ANGLES ±1.0°  
 ALL MACHINED SURFACES TO BE 250 RMS UNLESS NOTED.

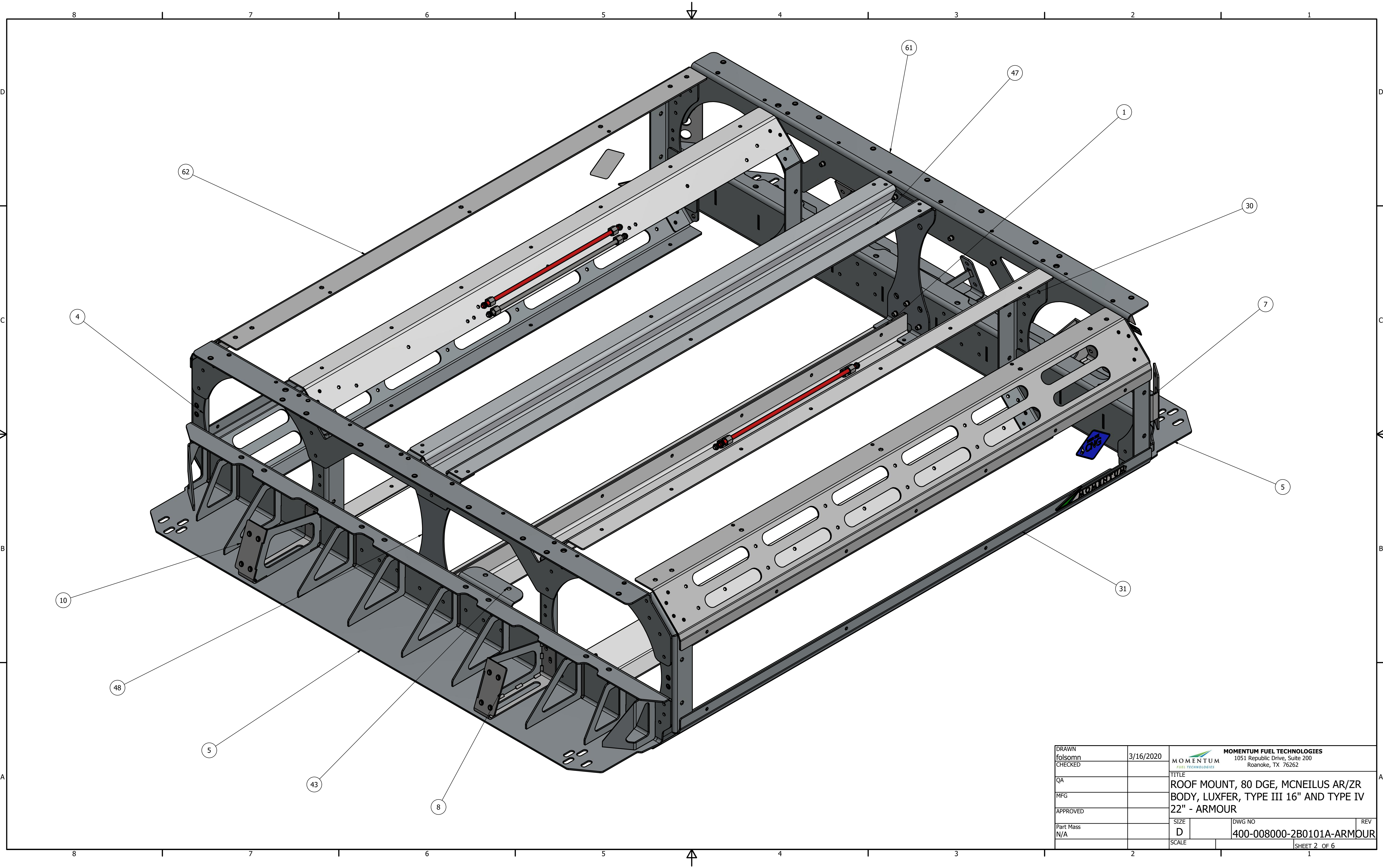
NOTES:


- 1) FOR INFORMATION NOT CONTAINED IN THIS PRINT REFERENCE THE MATH DATA FOR THIS PART (400-008000-2B0101A-ARMOUR)
- 2) ALL DIMENSIONS ARE IN INCHES
- 3) PART SHALL BE FREE OF BURRS, FLASH AND SHARP EDGES
- 4) INITIAL USE: ROOF MOUNT, 80 DGE, MCNEILUS AR/ZR BODY, LUXFER, TYPE III 16" AND TYPE IV 22" - ARMOUR
- 5) PART NUMBER, REV LEVEL, AND SUPPLIER CODE REQUIRED ON ALL PARTS. REFER TO DRAWING FOR SPECIFIC LOCATION, WHERE APPLICABLE. ETCH, STAMP, OR OTHERWISE PERMANENTLY ATTACH REQUIRED INFORMATION ON LARGER PARTS. PERMANENT MARKINGS SHALL BE PLACED IN SUCH A WAY THAT THEY ARE VISIBLE AFTER PART IS COATED OR PAINTED. SMALLER PARTS SHOULD HAVE THE INFORMATION ATTACHED BY THE BEST METHOD POSSIBLE. ALTERNATE MEANS OF ATTACHING INFORMATION MUST BE APPROVED.

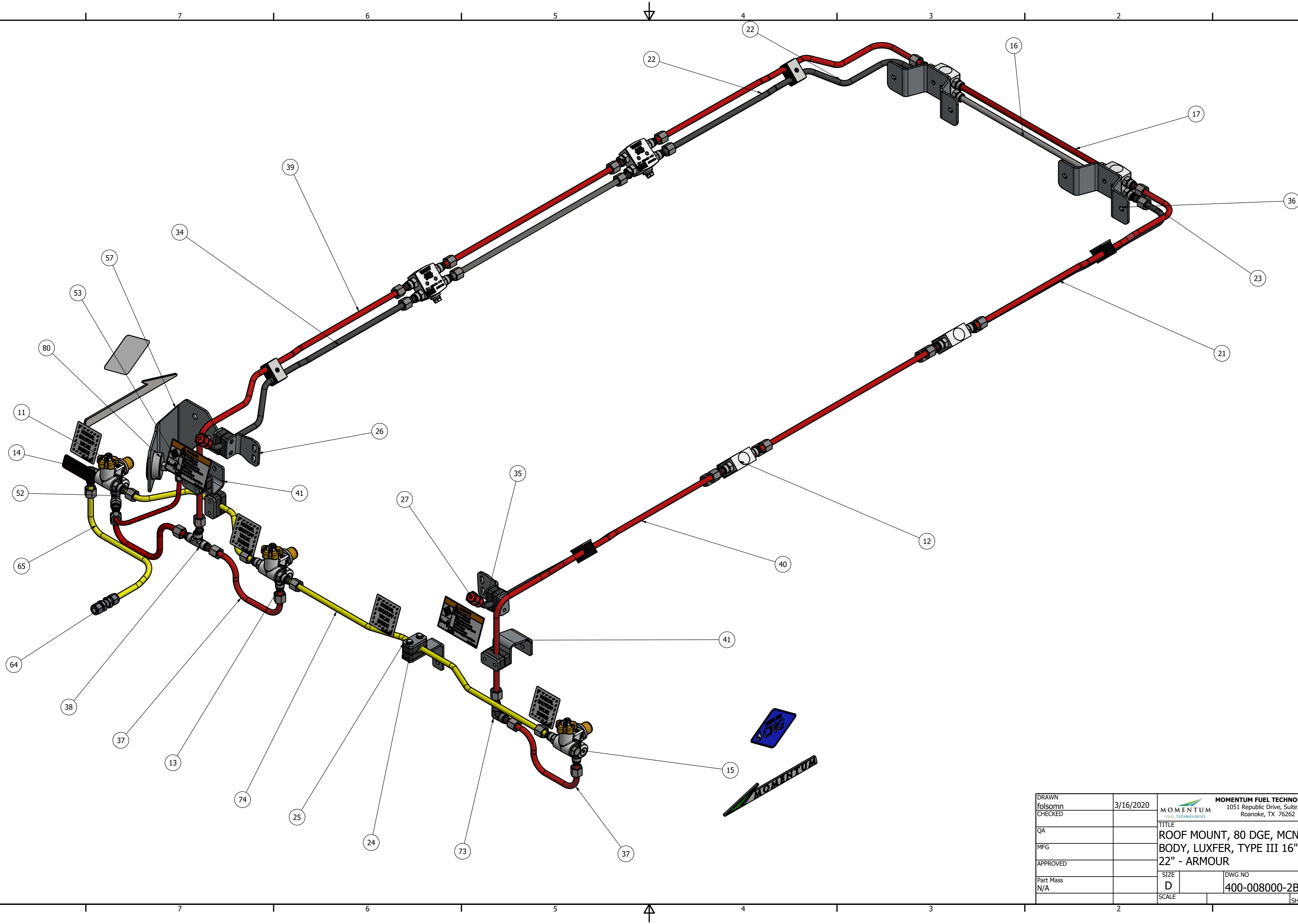
I

DO NOT SCALE THIS PRINT

DRAWN folsomn	3/16/2020	<b>MOMENTUM FUEL TECHNOLOGIES</b> 1051 Republic Drive, Suite 200 Roanoke, TX 76262	SCALE	DWG NO	REV
CHECKED			TITLE	400-008000-2B0101A-ARMOUR	
QA		<b>ROOF MOUNT, 80 DGE, MCNEILUS AR/ZR BODY, LUXFER, TYPE III 16" AND TYPE IV 22" - ARMOUR</b>			
MFG		SIZE	D		
APPROVED					
Part Mass N/A					

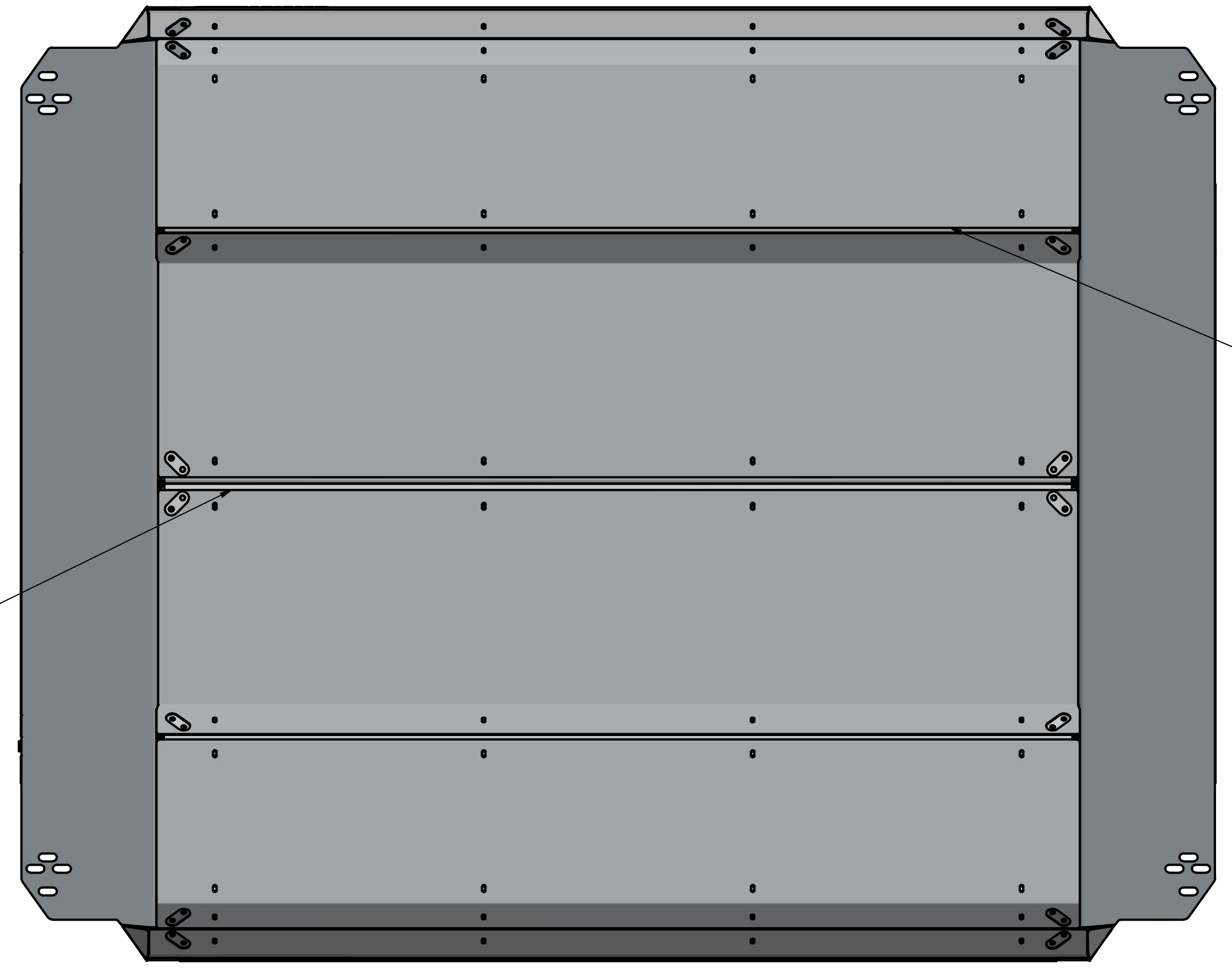
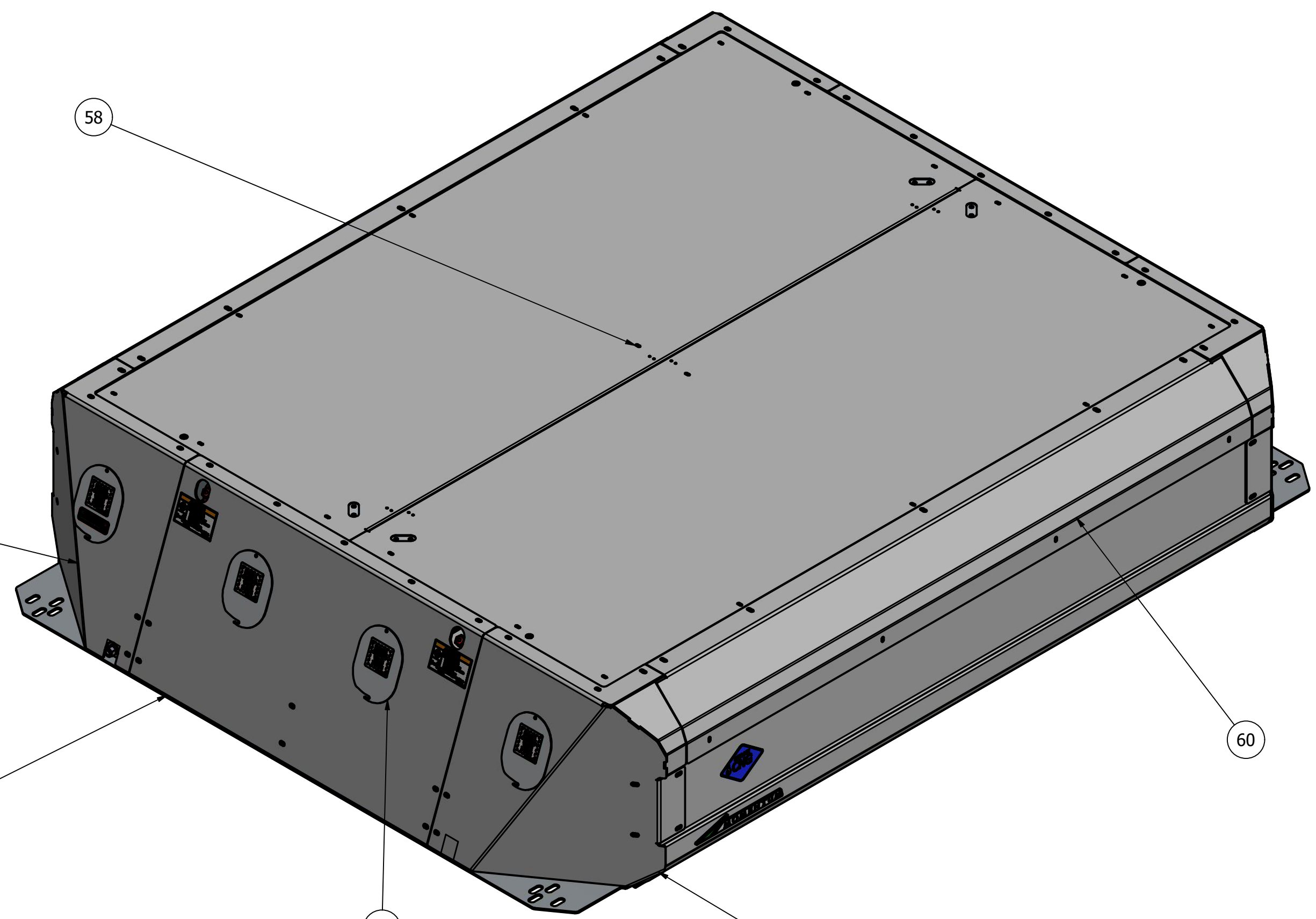
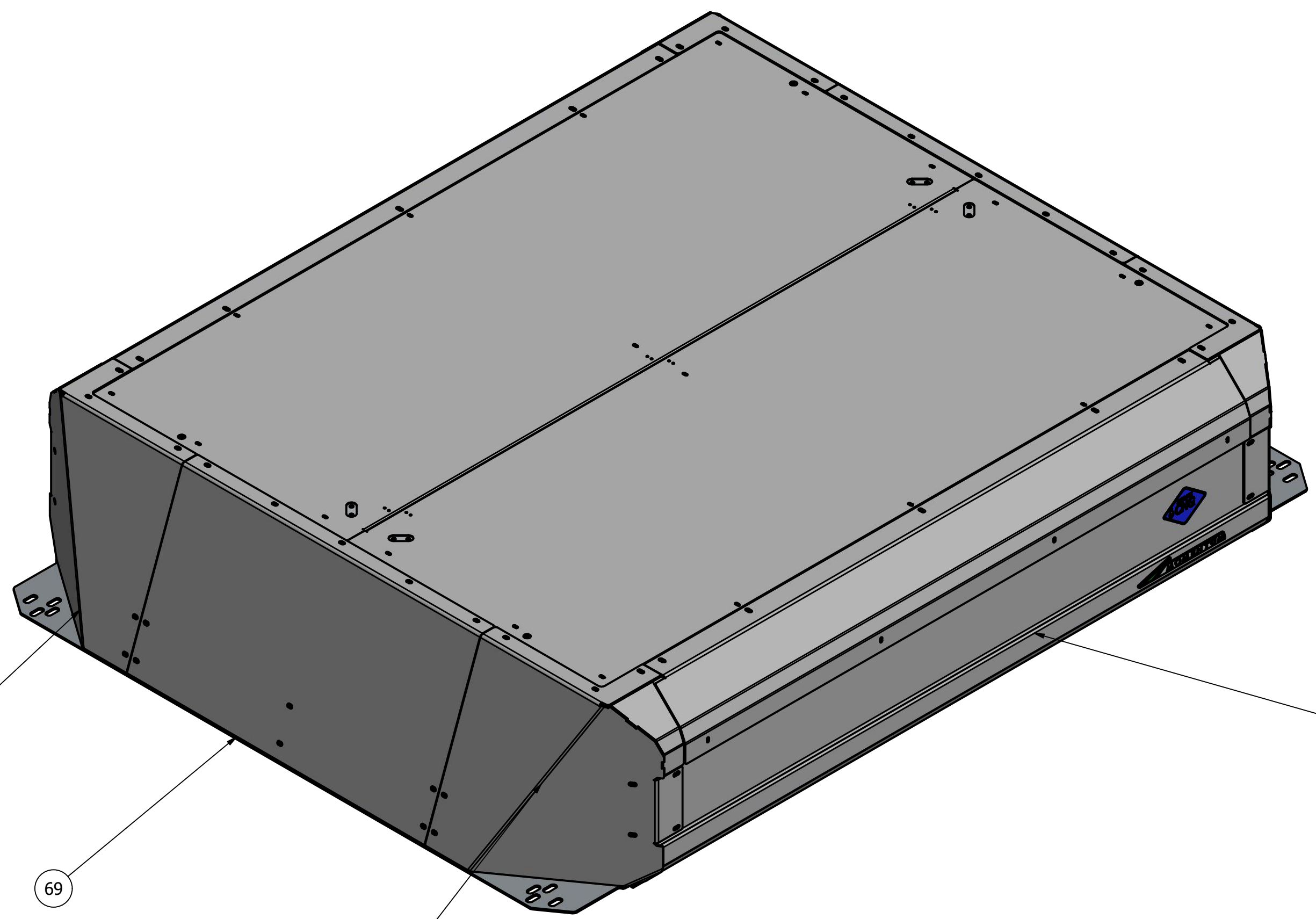


DRAWN	folsomn	3/16/2020	 <b>MOMENTUM FUEL TECHNOLOGIES</b> 1051 Republic Drive, Suite 200 Roanoke, TX 76262	
CHECKED			TITLE	
QA			ROOF MOUNT, 80 DGE, MCNEILUS AR/ZR	
MFG			BODY, LUXFER, TYPE III 16" AND TYPE IV	
APPROVED			22" - ARMOUR	
Part Mass	N/A		SIZE	DWG NO
			D	400-008000-2B0101A-ARMOUR
			SCALE	REV
				1



DRAWN	folsomn	3/16/2020	<b>MOMENTUM FUEL TECHNOLOGIES</b> 1051 Republic Drive, Suite 200 Roanoke, TX 76262	
CHECKED			TITLE	
QA			ROOF MOUNT, 80 DGE, MCNEILUS AR/ZR	
MFG			BODY, LUXFER, TYPE III 16" AND TYPE IV	
APPROVED			22" - ARMOUR	
Part Mass	N/A		SIZE	DWG NO
			D	400-008000-2B0101A-ARMOUR
			SCALE	REV
				SHEET 3 OF 6

8 7 6 5 4 3 2 1



63

69

66

59

58

67

70

49

68

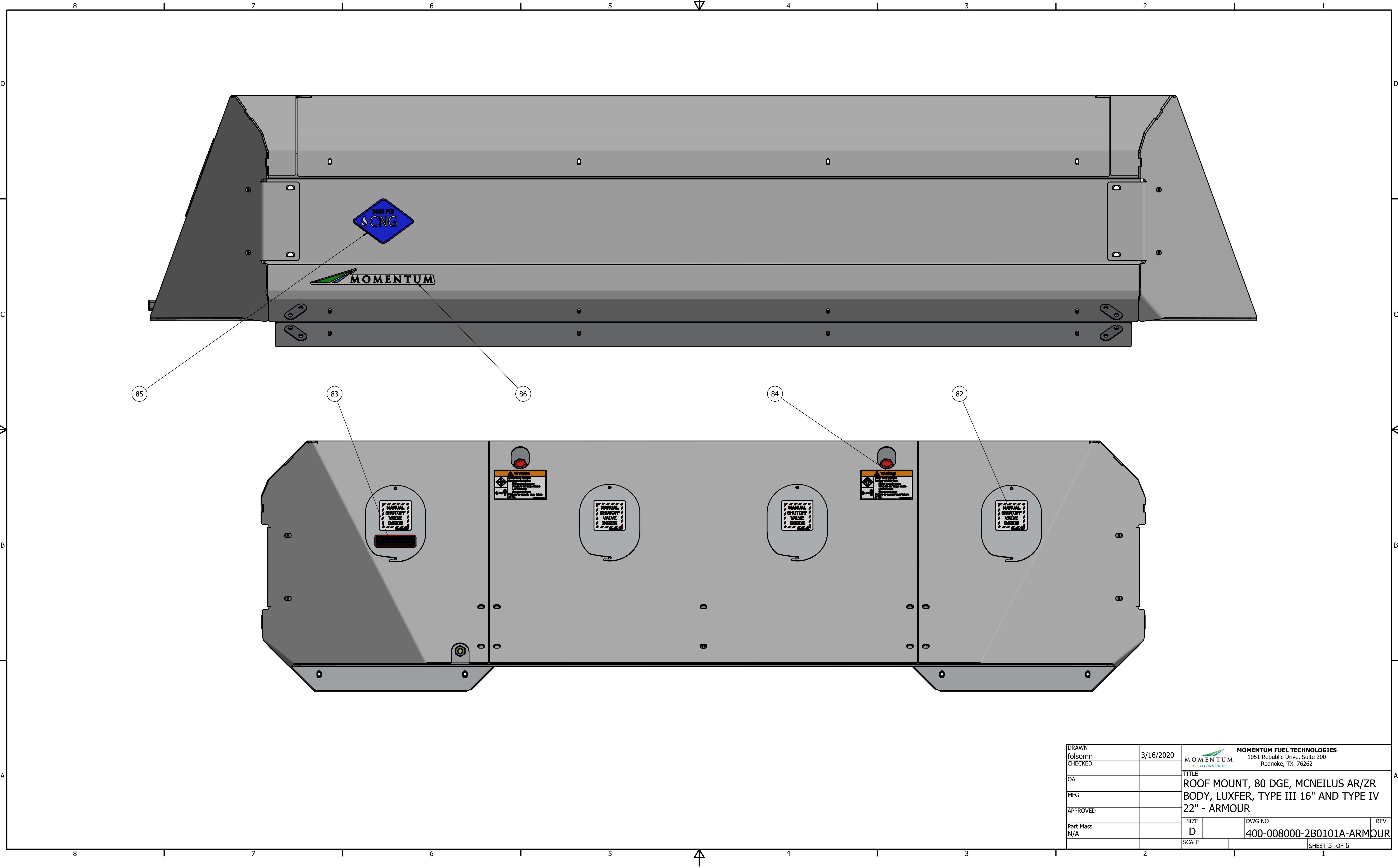
60

50

51

DRAWN folsomn	3/16/2020	<b>MOMENTUM FUEL TECHNOLOGIES</b> 1051 Republic Drive, Suite 200 Roanoke, TX 76262	
CHECKED		TITLE ROOF MOUNT, 80 DGE, MCNEILUS AR/ZR BODY, LUXFER, TYPE III 16" AND TYPE IV 22" - ARMOUR	
QA		SIZE D	DWG NO 400-008000-2B0101A-ARMOUR
MFG		SCALE	REV
APPROVED			
Part Mass N/A			
			SHEET 4 OF 6


8 7 6 5 4 3 2 1



DRAWN	folsomn	3/16/2020	<b>MOMENTUM FUEL TECHNOLOGIES</b> 1051 Republic Drive, Suite 200 Roanoke, TX 76262	
CHECKED			TITLE	
QA			ROOF MOUNT, 80 DGE, MCNEILUS AR/ZR	
MFG			BODY, LUXFER, TYPE III 16" AND TYPE IV	
APPROVED			22" - ARMOUR	
Part Mass	N/A		SIZE	DWG NO
			D	400-008000-2B0101A-ARMOUR
			SCALE	REV
				1

PARTS LIST			
ITEM	QTY	PART NUMBER	DESCRIPTION
1	2	ME04-1859	STRUCTURE-ANGLE, HORIZONTAL CENTER, ROOF MOUNT
2	3	ME04-1058-R0331	
3	3	MD04-1000	BUSHING-NECK BLOCK
4	8	ME04-1855	STRUCTURE - ZR, VERTICAL SUPPORT
5	2	ME04-1838	STRUCTURE - RM-ZR, LOWER ANGLE SUPPORT, FRONT & REAR
6	2	MD04-1761	BRACKET - BACKING PLATE, NECK BLOCK, REAR
7	4	ME04-1861	BRACKET - COVER SUPPORT, CORNERS
8	2	ME04-1853	ASSY-FRONT NOSE PIECE, ROOF MOUNT
9	2	ME04-1846	ASSY-CENTER REAR NOSE PIECE SUPPORT, ROOF MOUNT
10	1	ME04-1851	ASSY-FRONT NOSE PIECE, ROOF MOUNT
11	3	MS19-1600	VALVE-TANK, OMB BETA NEW PLUS
12	6	MW18-1000	PRD - OMB YORK
13	30	MF17-1015	ADAPTER - STRAIGHT - #8 ORING BOSS X #8 ORFS
14	1	MF17-1013	ELBOW - 90° 1/2" STANDARD O-RING X 1/2" ORFS (O-RING FACE SEAL)
15	1	MF17-1016	PLUG - #8 ORING BOSS
16	1	MT21-1312-N	
17	1	MT21-1312-RED	
20	1	MT21-1653-RED	TUBING 1/2" - RM-AUTOREACH, PRD SUPPLY, LEFT-HAND, PRD TO PRD, FRONT
21	1	MT21-1654-RED	TUBING 1/2" - RM-AUTOREACH, PRD SUPPLY, RIGHT-HAND, PRD TO PRD, FRONT
22	1	MT21-1655-NAT	TUBING 1/2" - RM-AUTOREACH, PRD VENT, LEFT-HAND, PRD TO PRD, FRONT
23	1	MT21-1656-NAT	TUBING 1/2" - RM-AUTOREACH, PRD VENT, RIGHT-HAND, PRD TO PRD, FRONT
24	6	MD20-1002	CLAMP - TUBE, SINGLE 1/2"
25	6	MD20-1010	SPACER - CLAMP, SINGLE TUBE
26	2	MD18-1600	BRACKET - RM-AUTOREACH, SUPPORT, TUBING, PRD VENT
27	2	MF18-1000-RED	CAP - VENT, HEAVY DUTY, 0.5"
28	1	MT21-1844-YELLOW	TUBING 1/2" - RM-ZR, HP FUEL, TANK1 TO TANK2
29	4	ME04-1860	STRUCTURE - RM - ZR, BACKING PLATE, VERTICAL UPRIGHT
30	4	ME04-1856	STRUCTURE-CONNECTING ANGLES, 135
31	2	ME04-1857	STRUCTURE - RM-ZR, CONNECTING CHANNELS, OUTBOARD CORNERS
32	4	MD20-1007	CLAMP - TUBE, DOUBLE, 1/2"
33	4	MD20-1008	PLATE - CLAMP, DOUBLE 1/2"
34	1	MT21-1848-NAT	TUBING 1/2" - RM-ZR, PRD VENT, LEFT-HAND, PRD TO VENT
35	1	MT21-1847-NAT	TUBING 1/2" - RM-ZR, PRD VENT, RIGHT-HAND, PRD TO VENT
36	2	MD23-1651	BRACKET - PRD SUPPORT, LOW HEIGHT
37	2	MT21-1858-RED	TUBING 1/2" - RM-ZR, PRD SUPPLY, VALVE TO TEE
38	1	MF17-1023	FITTING - UNION TEE -8 X-8 X-8
39	1	MT21-1859-RED	TUBING 1/2" - RM-ZR, PRD SUPPLY, LEFT-HAND, TEE TO PRD
40	1	MT21-1860-RED	TUBING 1/2" - RM-ZR, PRD SUPPLY, RIGHT-HAND, TEE TO PRD
41	2	MD18-1603	BRACKET - RM-ZR, TANK SUPPLY VALVE TO PRD, REAR
42	6	ME04-1059-R0333	
43	1	ME04-1300-N	STRUCTURE - RM-AUTOREACH, TANK SUPPORT, FLOATING END

PARTS LIST			
ITEM	QTY	PART NUMBER	DESCRIPTION
44	13	MH27-1009	NUT - HALF HEX RIVET - 1/4"-20 (GRIP RANGE 0.165-0.260)
45	28	MH27-1010	NUT - HALF HEX RIVET, 3/8"-16, GRADE 5, (GRIP RANGE 0.150" - 0.312")
46	1	ME04-2242	WELDMENT- BRACKET, REAR COVER, ROOF MOUNT
47	1	ME04-2125	
48	2	ME04-2126	
49	4	MC41-1673	
50	2	MC41-1669	COVER - ZR, SIDE, BOTTOM
51	2	MC41-1668	COVER - RM-ZR, BOTTOM, CENTER
52	1	MF17-1600	
53	1	MF17-1628	FITTING - UNION, 90° ELBOW, TUBE, 3/8" TUBE OD
54	1	MT21-2147-RED	
55	1	MF17-1150-N	ADAPTER - STRAIGHT, 8 ORFS FEMALE SWVL X 6 ORFS
56	1	MT21-2148-RED	
57	1	MD04-1929	BRACKET - NON-STRUCTURAL, BULKHEAD\PRESSURE GAUGE, MOUNT
58	2	MC41-1695	COVER - ZR, TOP, CENTER
59	2	MC41-1696	
60	2	MC41-1697	
61	2	ME04-1854	STRUCTURE - ZR, UPPER ANGLE SUPPORT, FRONT & REAR
62	2	ME04-2237	STRUCTURE - RM-ZR, CONNECTING CHANNELS, OUTBOARD CORNERS
63	1	MC41-1703	
64	1	SS_810_61	FITTING - BULKHEAD 1/2" TUBE, STRAIGHT
65	1	MT21-2155-YELLOW	
66	1	MC41-1706	
67	1	MC41-1708	
68	1	MC41-1710	
69	1	MC41-1711	COVER - RM-ZR, FRONT CENTER
70	1	MC41-1712	COVER - RM-ZR, FRONT CENTER
71	4	MC40-1601	COVER - RM-ZR, FRONT & REAR LOWER END
72	1	MD18-1602	BRACKET - RM-ZR, TANK SUPPLY VALVE TO TANK SUPPLY VALVE
73	1	MF17-1114-N	FITTING - 90 DEGREE -8 X-8
74	1	MT21-1849-YELLOW	TUBING 1/2" - RM-ZR, HP FUEL, TANK2 TO TANK3
75	1	MH27-1001-006-16-125-YZ-008-HH	BOLT - HEX HEAD, 3/8"-16 X 1-1/4" LONG, GRADE 8, YELLOW ZINC
76	1	MH27-1004-M06-FL-SS-008	WASHER - FLAT , 3/8", YELLOW ZINC, HARDENED (GRADE 8)
77	2	MH27-1001-004-20-225-YZ-008-HH	
78	2	MH27-1004-004-FL-YZ-008	WASHER - FLAT , 1/4" YELLOW ZINC, HARDENED (GRADE 8)
79	1	MA01-1708 Max Pressure	
80	1	MG25-1607	GAUGE, 0-6000 PSI, 2.5" DIAMETER PANEL MOUNT, SILICONE FILED, 3/8" TUBE STUB CENTER BACK CONNECTION
81	2	MA01-1716 Max Pressure	
82	4	MB34-1135-N	
83	1	MB34-1614	
84	2	MB34-1145-N	
85	2	MB34-1100-INSTALLED_COLOR	
86	2	MB34-1001	Emblem - Momentum
123	2	MU02-1001-RED	TUBING - 1/2", PRD TO PRD, RM, PRESSURE, RED
124	2	MT21-2492-N	TUBING - 1/2", PRD TO PRD, ROOF MOUNT, VENT

DRAWN	folsomn	3/16/2020	 <b>MOMENTUM FUEL TECHNOLOGIES</b> 1051 Republic Drive, Suite 200 Roanoke, TX 76262	
CHECKED			TITLE	
QA			ROOF MOUNT, 80 DGE, MCNEILUS AR/ZR	
MFG			BODY, LUXFER, TYPE III 16" AND TYPE IV	
APPROVED			22" - ARMOUR	
Part Mass			SIZE	REV
			D	
			DWG NO	400-008000-2B0101A-ARMOUR
			SCALE	SHEET 6 OF 6