

CONFIDENTIAL AND TRADE SECRET INFORMATION OF NATURAL GAS FUEL SYSTEMS, INC. dba MOMENTUM FUEL TECHNOLOGIES
 This document and the information in it is confidential, proprietary and trade secret information of Natural Gas Fuel Systems, Inc. dba Momentum Fuel Technologies on behalf of itself and its subsidiaries and affiliates ("Momentum"). It contains information intended only for the person to whom it is transmitted and may not be disclosed to any third party, in whole or in part, or used to manufacture anything shown or referred to herein, without Momentum's express, written permission. This document must be returned to Momentum on request.

Any form of reproduction, dissemination, copying, disclosure, modification, distribution, and or publication of this document and the information contained herein is strictly prohibited.

This notice must appear on any complete or partial reproduction of this document or the information contained herein.

Copyright © 2020 Natural Gas Fuel Systems, Inc. dba Momentum Fuel Technologies. All rights reserved.

ALL DIMENSION TOLERANCES UNLESS NOTED
 ONE PLACE .X ±.06
 TWO PLACES .XX ±.03
 THREE PLACES .XXX ±.010
 FOUR PLACES .XXXX ±.0010
 ANGLES ±1.0°
 ALL MACHINED SURFACES TO BE 250 RMS UNLESS NOTED.

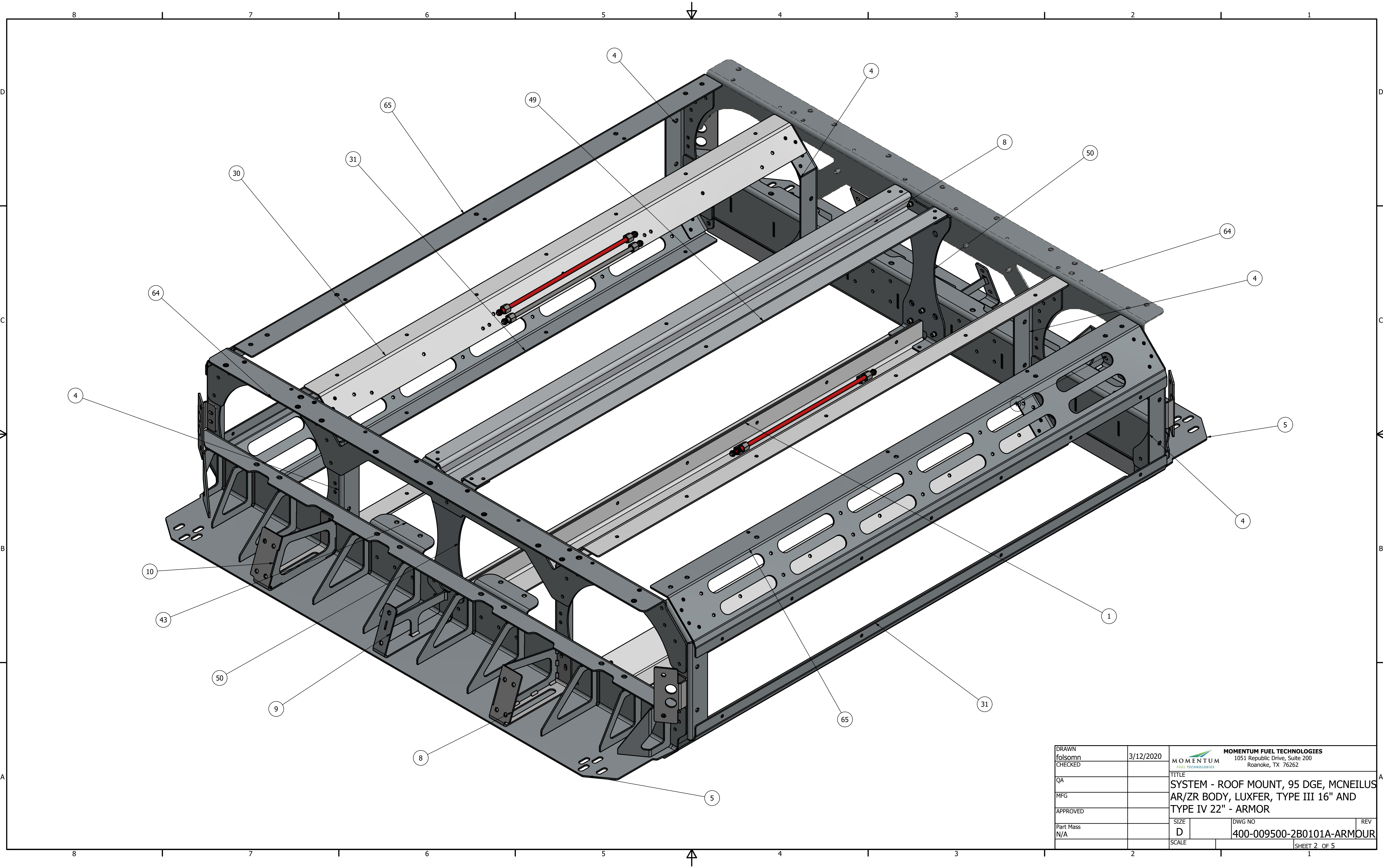
NOTES:


- 1) FOR INFORMATION NOT CONTAINED IN THIS PRINT REFERENCE THE MATH DATA FOR THIS PART (400-009500-2B0101A-ARMOUR)
- 2) ALL DIMENSIONS ARE IN INCHES
- 3) PART SHALL BE FREE OF BURRS, FLASH AND SHARP EDGES
- 4) INITIAL USE: ROOF MOUNT, 95 DGE, MCNEILUS AR/ZR BODY, LUXFER, TYPE III 16" AND TYPE IV 22" - ARMOUR
- 5) PART NUMBER, REV LEVEL, AND SUPPLIER CODE REQUIRED ON ALL PARTS. REFER TO DRAWING FOR SPECIFIC LOCATION, WHERE APPLICABLE. ETCH, STAMP, OR OTHERWISE PERMANENTLY ATTACH REQUIRED INFORMATION ON LARGER PARTS. PERMANENT MARKINGS SHALL BE PLACED IN SUCH A WAY THAT THEY ARE VISIBLE AFTER PART IS COATED OR PAINTED. SMALLER PARTS SHOULD HAVE THE INFORMATION ATTACHED BY THE BEST METHOD POSSIBLE. ALTERNATE MEANS OF ATTACHING INFORMATION MUST BE APPROVED.

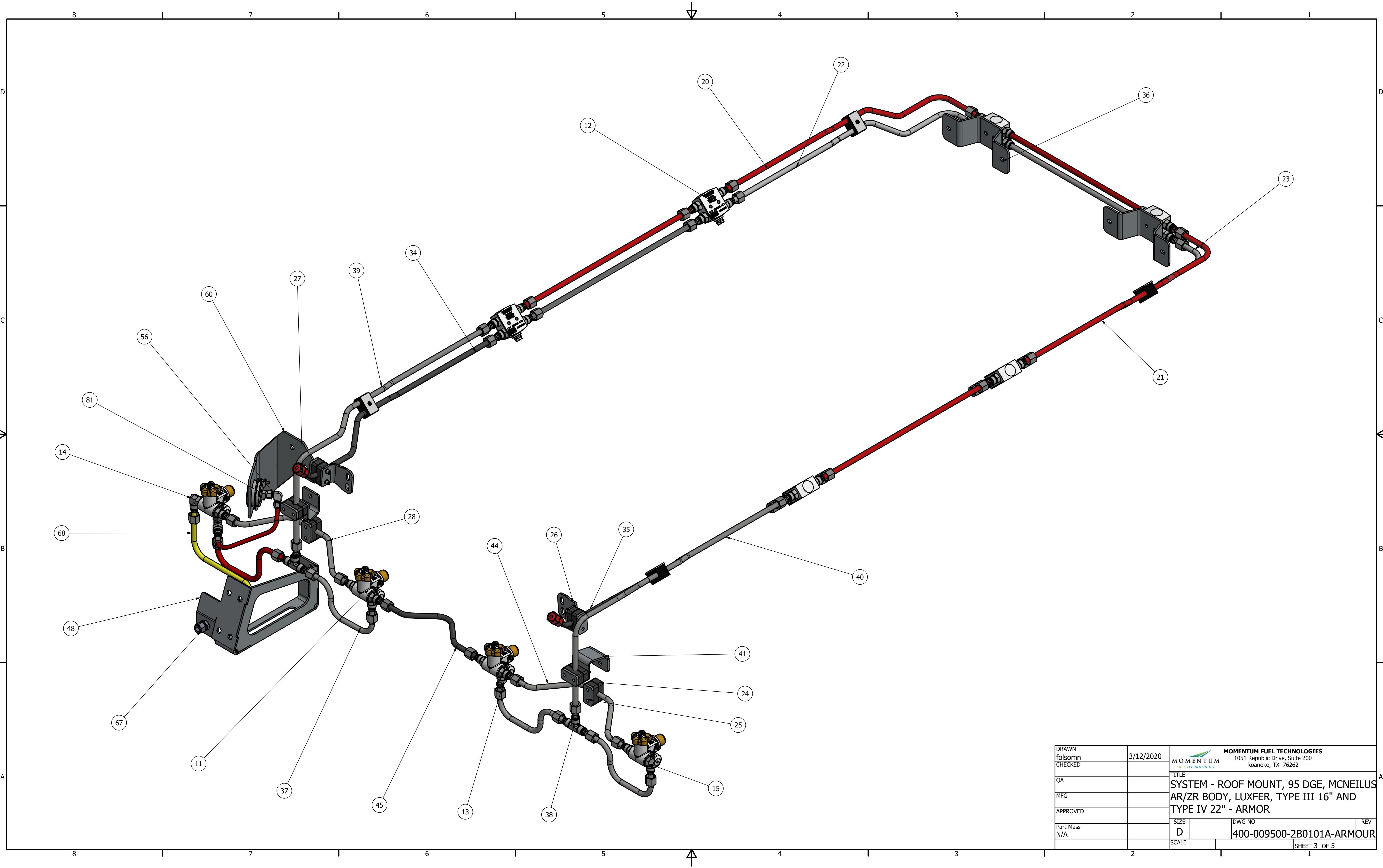
I

DO NOT SCALE THIS PRINT

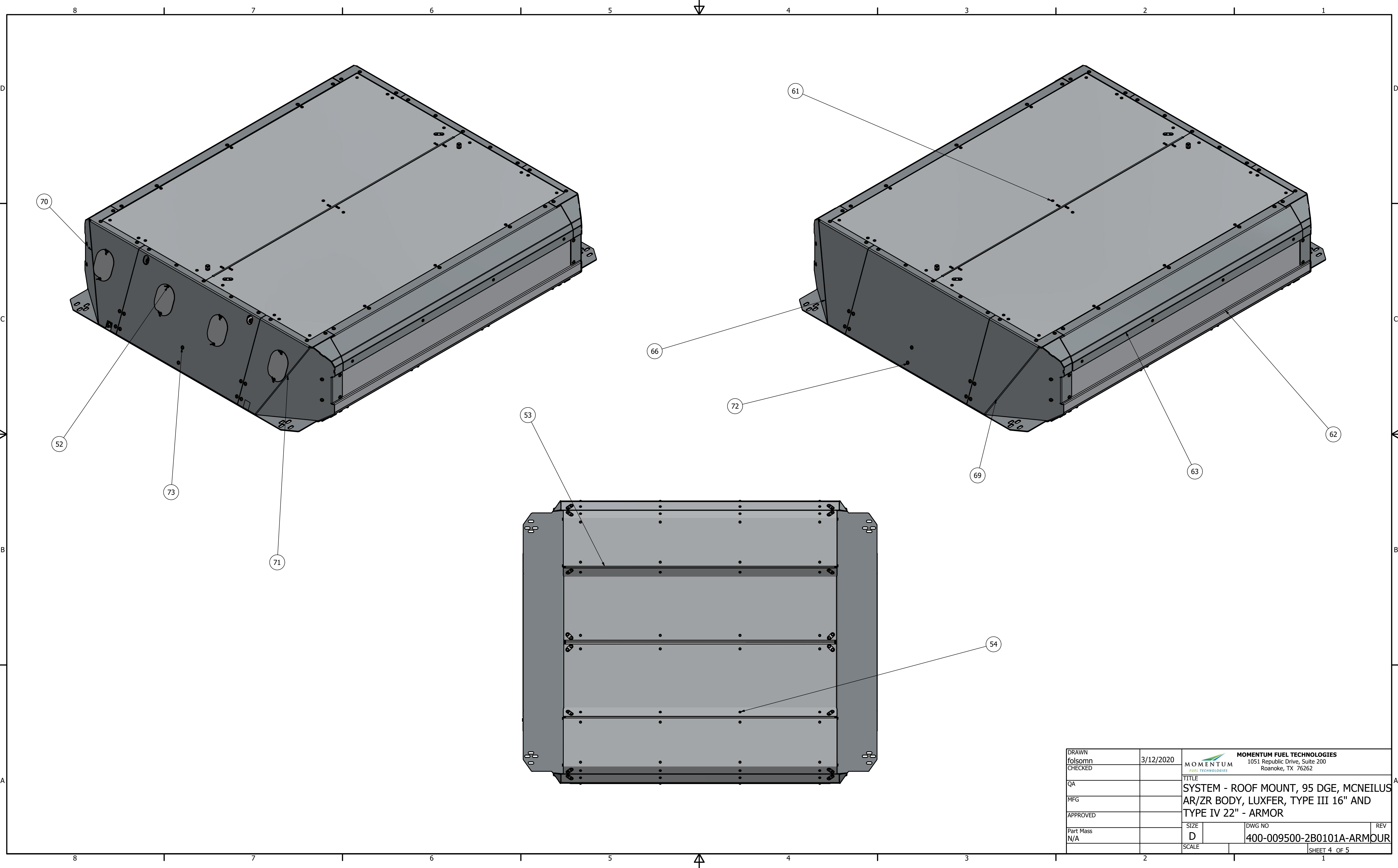
DRAWN folsomn	3/12/2020	MOMENTUM FUEL TECHNOLOGIES 1051 Republic Drive, Suite 200 Roanoke, TX 76262	
CHECKED		TITLE	
QA		SYSTEM - ROOF MOUNT, 95 DGE, MCNEILUS AR/ZR BODY, LUXFER, TYPE III 16" AND TYPE IV 22" - ARMOR	
MFG		SIZE	DWG NO
APPROVED		D	400-009500-2B0101A-ARMOUR
Part Mass N/A		SCALE	REV
			SHEET 1 OF 5




DRAWN	folsomn	3/12/2020	 MOMENTUM FUEL TECHNOLOGIES 1051 Republic Drive, Suite 200 Roanoke, TX 76262	
CHECKED			TITLE	
QA			SYSTEM - ROOF MOUNT, 95 DGE, MCNEILUS	
MFG			AR/ZR BODY, LUXFER, TYPE III 16" AND	
APPROVED			TYPE IV 22" - ARMOR	
Part Mass	N/A		SIZE	DWG NO
			D	400-009500-2B0101A-ARMOUR
			SCALE	REV
				1
				SHEET 2 OF 5




DRAWN	folsomn	3/12/2020	MOMENTUM FUEL TECHNOLOGIES 1051 Republic Drive, Suite 200 Roanoke, TX 76262	
CHECKED			TITLE SYSTEM - ROOF MOUNT, 95 DGE, MCNEILUS AR/ZR BODY, LUXFER, TYPE III 16" AND TYPE IV 22" - ARMOR	
QA			SIZE	REV
MFG			D	
APPROVED			DWG NO	400-009500-2B0101A-ARMOUR
Part Mass	N/A		SCALE	SHEET 3 OF 5



DRAWN	folsomn	3/12/2020	 MOMENTUM FUEL TECHNOLOGIES 1051 Republic Drive, Suite 200 Roanoke, TX 76262	
CHECKED			TITLE	
QA			SYSTEM - ROOF MOUNT, 95 DGE, MCNEILUS	
MFG			AR/ZR BODY, LUXFER, TYPE III 16" AND	
APPROVED			TYPE IV 22" - ARMOR	
Part Mass	N/A		SIZE	DWG NO
			D	400-009500-2B0101A-ARMOUR
			SCALE	REV
				1

PARTS LIST			
ITEM	QTY	PART NUMBER	DESCRIPTION
1	2	ME04-1859	STRUCTURE-ANGLE, HORIZONTAL CENTER, ROOF MOUNT
2	4	ME04-1058-R0331	
3	4	MD04-1000	BUSHING-NECK BLOCK
4	8	ME04-1855	STRUCTURE - ZR, VERTICAL SUPPORT
5	2	ME04-1838	STRUCTURE - RM-ZR, LOWER ANGLE SUPPOT, FRONT & REAR
6	2	MD04-1761	BRACKET - BACKING PLATE, NECK BLOCK, REAR
7	4	ME04-1861	BRACKET - COVER SUPPORT, CORNERS
8	2	ME04-1853	ASSY-FRONT NOSE PIECE, ROOF MOUNT
9	2	ME04-1846	ASSY-CENTER REAR NOSE PIECE SUPPORT, ROOF MOUNT
10	1	ME04-1851	ASSY-FRONT NOSE PIECE, ROOF MOUNT
11	4	MS19-1600	VALVE-TANK, OMB BETA NEW PLUS
12	6	MW18-1000	PRD - OMB YORK
13	33	MF17-1015	ADAPTER - STRAIGHT - #8 ORING BOSS X #8 ORFS
14	1	MF17-1013	ELBOW - 90° 1/2" STANDARD O-RING X 1/2" ORFS (O-RING FACE SEAL)
15	1	MF17-1016	PLUG - #8 ORING BOSS
16	1	MT21-1312-N	
17	1	MT21-1312-RED	
20	1	MT21-1653-RED	TUBING 1/2" - RM-AUTOREACH, PRD SUPPLY, LEFT-HAND, PRD TO PRD, FRONT
21	1	MT21-1654-RED	TUBING 1/2" - RM-AUTOREACH, PRD SUPPLY, RIGHT-HAND, PRD TO PRD, FRONT
22	1	MT21-1655-NAT	TUBING 1/2" - RM-AUTOREACH, PRD VENT, LEFT-HAND, PRD TO PRD, FRONT
23	1	MT21-1656-NAT	TUBING 1/2" - RM-AUTOREACH, PRD VENT, RIGHT-HAND, PRD TO PRD, FRONT
24	6	MD20-1002	CLAMP - TUBE, SINGLE 1/2"
25	6	MD20-1010	SPACER - CLAMP, SINGLE TUBE
26	2	MD18-1600	BRACKET - RM-AUTOREACH, SUPPORT, TUBING, PRD VENT
27	2	MF18-1000-RED	CAP - VENT, HEAVY DUTY, 0.5"
28	1	MT21-1844-YELLOW	TUBING 1/2" - RM-ZR, HP FUEL, TANK1 TO TANK2
29	4	ME04-1860	STRUCTURE - RM - ZR, BACKING PLATE, VERTICAL UPRIGHT
30	4	ME04-1856	STRUCTURE-CONNECTING ANGLES, 135
31	2	ME04-1857	STRUCTURE - RM-ZR, CONNECTING CHANNELS, OUTBOARD CORNERS
32	4	MD20-1007	CLAMP - TUBE, DOUBLE, 1/2"
33	4	MD20-1008	PLATE - CLAMP, DOUBLE 1/2"
34	1	MT21-1848-NAT	TUBING 1/2" - RM-ZR, PRD VENT, LEFT-HAND, PRD TO VENT
35	1	MT21-1847-NAT	TUBING 1/2" - RM-ZR, PRD VENT, RIGHT-HAND, PRD TO VENT
36	2	MD23-1651	BRACKET - PRD SUPPOT, LOW HEIGHT
37	3	MT21-1858-RED	TUBING 1/2" - RM-ZR, PRD SUPPLY, VALVE TO TEE
38	2	MF17-1023	FITTING - UNION TEE - 8 X-8 X-8
39	1	MT21-1859-RED	TUBING 1/2" - RM-ZR, PRD SUPPLY, LEFT-HAND, TEE TO PRD
40	1	MT21-1860-RED	TUBING 1/2" - RM-ZR, PRD SUPPLY, RIGHT-HAND, TEE TO PRD
41	2	MD18-1603	BRACKET - RM-ZR, TANK SUPPLY VALVE TO PRD, REAR
42	4	ME04-1059-R0333	
43	2	ME04-1300-N	STRUCTURE - RM-AUTOREACH, TANK SUPPORT, FLOATING END
44	1	MT21-1843-YELLOW	
45	1	MT21-1664-YELLOW	TUBING 1/2" - RM-AUTOREACH, HP FUEL, TANK2 TO TANK3
46	100	MH27-1009	NUT - HALF HEX RIVET - 1/4"-20 (GRIP RANGE 0.165-0.260)
47	82	MH27-1010	NUT - HALF HEX RIVET, 3/8"-16, GRADE 5, (GRIP RANGE 0.150" - 0.312")
48	1	ME04-2242	WELDMENT- BRACKET, REAR COVER, ROOF MOUNT
49	1	ME04-2125	
50	2	ME04-2126	
52	4	MC41-1673	
53	2	MC41-1669	COVER - ZR, SIDE, BOTTOM
54	2	MC41-1668	COVER - RM-ZR, BOTTOM, CENTER
55	1	MF17-1600	
56	1	MF17-1628	FITTING - UNION, 90° ELBOW, TUBE, 3/8" TUBE OD
57	1	MT21-2147-RED	
58	1	MF17-1150-N	ADAPTER - STRAIGHT, 8 ORFS FEMALE SWVL X 6 ORFS
59	1	MT21-2148-RED	
60	1	MD04-1929	BRACKET - NON-STRUCTURAL, BULKHEAD/PRESSURE GAUGE, MOUNT
61	2	MC41-1695	COVER - ZR, TOP, CENTER
62	2	MC41-1696	
63	2	MC41-1697	
64	2	ME04-1854	STRUCTURE - ZR, UPPER ANGLE SUPPORT, FRONT & REAR
65	2	ME04-2237	STRUCTURE - RM-ZR, CONNECTING CHANNELS, OUTBOARD CORNERS
66	1	MC41-1703	
67	1	SS_810_61	FITTING - BULKHEAD 1/2" TUBE, STRAIGHT
68	1	MT21-2155-YELLOW	
69	1	MC41-1706	

PARTS LIST			
ITEM	QTY	PART NUMBER	DESCRIPTION
70	1	MC41-1708	
71	1	MC41-1710	
72	1	MC41-1711	COVER - RM-ZR, FRONT CENTER
73	1	MC41-1712	COVER - RM-ZR, FRONT CENTER
74	4	MC40-1601	COVER - RM-ZR, FRONT & REAR LOWER END
75	32	MH27-1004-008-FL-YZ-008	WASHER - FLAT , 1/2", YELLOW ZINC, HARDENED (GRADE 8)
76	16	MH27-1001-008-13-550-YZ-008-HH	BOLT - HEX HEAD, 1/2"-13 X 5-1/2" LONG, GRADE 8, YELLOW ZINC
77	16	MH27-1003-008-13-YZ-008-NL	NUT - NYLON LOCKING, 1/2"-13, YELLOW ZINC GRADE 8
78	2	MA01-1716 Max Pressure	
79	2	MA01-1708 Max Pressure	
80	4	ME04-1128-N	
81	1	MG25-1607	
82	136	MH27-1001-006-16-125-YZ-008-HH	GAUGE, 0-6000 PSI, 2.5" DIAMETER PANEL MOUNT, SILICONE FILED, 3/8" TUBE STUB CENTER BACK CONNECTION
84	124	MH27-1003-006-16-YZ-008-NL	BOLT - HEX HEAD, 3/8"-16 X 1-1/4" LONG, GRADE 8, YELLOW ZINC
119	120	MH27-1004-004-FL-YZ-008	NUT -NYLON LOCKING, 3/8"-16, YELLOW ZINC GRADE 8
121	40	MH27-1001-004-20-100-YZ-008-HH	WASHER - FLAT , 1/4" YELLOW ZINC, HARDENED (GRADE 8)
122	34	MH27-1001-006-16-150-YZ-008-HH	BOLT - HEX HEAD, 3/8"-16 X 1-1/2" LONG, GRADE 8, YELLOW ZINC
124	12	MH27-1001-004-20-250-YZ-008-HH	BOLT - HEX HEAD, 1/4"-20 X 2-1/2" LONG, GRADE 8, YELLOW ZINC
125	16	MH27-1001-004-20-225-YZ-008-HH	
128	68	MH27-1001-006-16-125-ZN-008-BH	
129	44	MH27-1001-004-20-100-ZN-008-BH	
130	2	MF17-1629	
131	1	MG04-1600	SUPPORT - GAUGE MOUNT
132	1	MG25-1102-N	
133	3	MK08-1606	LATCH - HINGE, DOOR HINGE, 180 DEGREE OPENING, CONCEALED
134	13	MH27-1001-M10-24-075-ZN-XXX-PH	
135	13	MH27-1003-M10-24-ZN-002-NL	NUT - NYLON LOCKING, #10-24, ZINC GRADE 2
136	26	MH27-1004-M10-FL-ZN	WASHER - FLAT , #10, ZINC
137	8	MH27-1620	
138	8	MH27-1014	U-NUT - 1/4" - 20
139	362	MH27-1004-M06-FL-SS-008	WASHER - FLAT , 3/8", YELLOW ZINC, HARDENED (GRADE 8)
140	2	MU02-1001-RED	TUBING - 1/2", PRD TO PRD, RM, PRESSURE, RED
141	2	MT21-2492-N	TUBING - 1/2", PRD TO PRD, ROOF MOUNT, VENT

DRAWN	folsom	3/12/2020	 MOMENTUM FUEL TECHNOLOGIES 1051 Republic Drive, Suite 200 Roanoke, TX 76262	
CHECKED			TITLE	
QA			SYSTEM - ROOF MOUNT, 95 DGE, MCNEILUS	
MFG			AR/ZR BODY, LUXFER, TYPE III 16" AND	
APPROVED			TYPE IV 22" - ARMOR	
Part Mass			SIZE	REV
			D	
			DWG NO	400-009500-2B0101A-ARMOUR
			SCALE	SHEET 5 OF 5