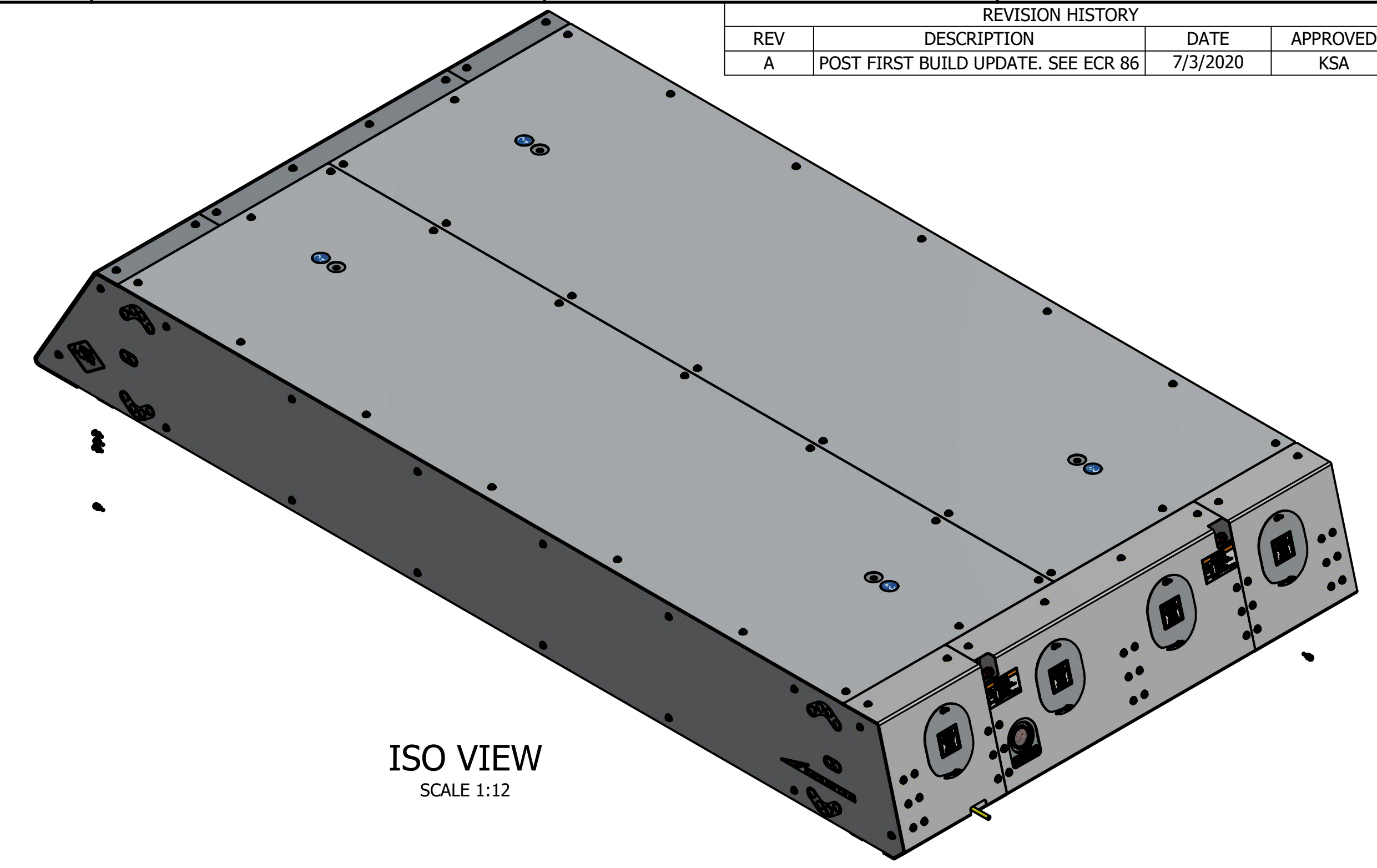


REVISION HISTORY			
REV	DESCRIPTION	DATE	APPROVED
A	POST FIRST BUILD UPDATE. SEE ECR 86	7/3/2020	KSA



PARTS LIST			
ITEM	QTY	PART NUMBER	DESCRIPTION
1	4	MA01-1711	TANK, 16X120, 311 LITERS, LUXFER TYPE 3
2	2	MB34-1001	EMBLEM - BLANK
3	2	MB34-1001-DECAL	Emblem - Momentum
4	1	MB34-1007	Label - Serial Number Tag
5	2	MB34-1100-N	DECAL - 3600 PSI CNG DIAMOND (A)
6	11	MB34-1109-N	DECAL - HIGH PRESSURE PRD (A)
7	4	MB34-1110-N	DECAL - HIGH PRESSURE CNG (A)
8	4	MB34-1135-N	DECAL 86" MANUAL SHUTOFF VALVE INSIDE
9	2	MB34-1145-N	DECAL 86" PRD VENT LOCATION (NFPA)
10	1	MB34-1614	DECAL - TANK PRESSURE, RED BORDER
11	6	MB34-1632	DECAL-PRD VENT LINE
12	4	MB34-1647	DECAL - LIFTING POINT
13	2	MB37-1000	Adhesive, Die Cut 45mil VHB for emblems
14	1	MC06-1970	COVER - PANEL, TOP, 95 DGE ROOF MOUNT, CURBTENDER
15	1	MC06-1971	COVER - PANEL, TOP, 95 DGE ROOF MOUNT, CURBTENDER
16	2	MC06-1972	COVER - PANEL, BOTTOM, 95 DGE ROOF MOUNT, CURBTENDER
17	2	MC06-1973	COVER - SIDE, 95 DGE, CURBTENDER ROOF MOUNT
18	1	MC06-1974	COVER - REAR, LEFT, AMREP ROOF MOUNT
19	1	MC06-1975	COVER - BACK, CENTER, CURBTENDER ROOF MOUNT
20	1	MC06-1976	COVER - REAR, RIGHT, CURBTENDER ROOF MOUNT
21	1	MC06-1977L	COVER - FRONT, LEFT, CURBTENDER ROOF MOUNT
22	1	MC06-1977R	COVER - FRONT, RIGHT, CURBTENDER ROOF MOUNT
23	1	MC06-1978	COVER - FRONT, CENTER, CURBTENDER ROOF MOUNT
24	4	MC40-1630	COVER - DOOR, VALVE, ROOF MOUNT, SLOTTED HOLE
25	4	MD04-1000	BUSHING-NECK BLOCK
26	2	MD04-1772	TUBE CLAMP BRACKET
27	4	MD04-1872	BRACKET - SUPPORT, FRONT COVER, AMREP ROOF MOUNT
28	1	MD04-1921	BRACKET - ANGLE, SUPPLY TUBE CLAMP, 95 DGE ROOF MOUNT, CURBTENDER
29	4	MD04-2032	BRACKET - ANGLE, TOP CORNER, 95 DGE ROOF MOUNT, CURBTENDER
30	3	MD20-1002	CLAMP - TUBE, SINGLE 1/2"
31	3	MD20-1004	Top Plate, Single Tube Clamp
32	6	MD20-1007	CLAMP - TUBE, DOUBLE, 1/2"
33	6	MD20-1008	PLATE - CLAMP, DOUBLE 1/2"
34	4	ME04-1058	Structure - Neck Block, for Insert, Anodized Blue, Sliding End
35	8	ME04-1128-N	Structure - Neck Block, Threaded, Anodized Blue, M56-2 Thread, Fixed End
36	5	ME04-2081	STRUCTURE - ANGLE, VERTICAL, 95 DGE ROOF MOUNT, CURBTENDER
37	1	ME04-2082	STRUCTURE - ANGLE, VERTICAL, 95 DGE ROOF MOUNT, CURBTENDER
38	1	ME04-2085	STRUCTURE - ANGLE, TOP, REAR, 95 DGE ROOF MOUNT, CURBTENDER
39	1	ME04-2091	WELDMENT - CHANNEL, FRONT, 95 DGE ROOF MOUNT, CURBTENDER
40	1	ME04-2093	STRUCTURE - SUPPORT, BACK RIGHT COVER, ASSY, 95 DGE ROOF MOUNT
41	1	ME04-2097	STRUCTURE - SUPPORT, BACK LEFT COVER, ASSY, 95 DGE ROOF MOUNT
42	1	ME04-2099	STRUCTURE - SUPPORT, FRONT RIGHT COVER, ASSY, 95 DGE ROOF MOUNT
43	4	ME04-2103	WELDMENT - VERTICAL ANGLE, 95 DGE ROOF MOUNT, CURBTENDER
44	1	ME04-2283	STRUCTURE - ANGLE, TOP, FRONT, 95 DGE ROOF MOUNT, CURBTENDER
45	1	ME04-2286	STRUCTURE - ANGLE, NECK BLOCK, 95 DGE ROOF MOUNT, CURBTENDER
46	2	ME04-2324	STRUCTURE - ANGLE, BOTTOM, SIDE, 95 DGE ROOF MOUNT, CURBTENDER
47	2	ME04-2325	STRUCTURE - ANGLE, TOP SIDE, 95 DGE ROOF MOUNT, CURBTENDER
48	1	ME04-2326	STRUCTURE - ANGLE, TOP CENTER, 95 DGE ROOF MOUNT, CURBTENDER
49	2	ME04-2327	WELDMENT - TOP ANGLE, 95 DGE ROOF MOUNT, CURBTENDER
50	3	ME04-2328	STRUCTURE - ANGLE, BOTTOM, 95 DGE ROOF MOUNT, CURBTENDER
51	2	ME04-2329	STRUCTURE - SUPPORT, BACK RIGHT COVER, ASSY, CURBTENDER ROOF MOUNT
52	1	ME04-2330	WELDMENT - SUPPORT, BACK LEFT COVER, ASSY, CURBTENDER ROOF MOUNT

PARTS LIST			
ITEM	QTY	PART NUMBER	DESCRIPTION
53	1	ME04-2331	WELDMENT - CHANNEL, REAR, 95 DGE ROOF MOUNT, CURBTENDER
54	2	ME04-2332	STRUCTURE - SUPPORT, FRONT RIGHT COVER, ASSY, CURBTENDER ROOF MOUNT
55	1	ME04-2333	STRUCTURE - SUPPORT, FRONT LEFT COVER, ASSY, CURBTENDER ROOF MOUNT
56	1	ME04-2334	STRUCTURE - ANGLE, TOP, REAR, 95 DGE ROOF MOUNT, CURBTENDER
57	4	MF17-1013	ELBOW - 90° 1/2" STANDARD O-RING X 1/2" ORFS (O-RING FACE SEAL)
58	26	MF17-1015	ADAPTER - STRAIGHT - #8 ORING BOSS X #8 ORFS
59	1	MF17-1016	PLUG - #8 ORING BOSS
60	2	MF17-1023	FITTING - UNION TEE - 8 X-8 X-8
61	1	MF17-1141-N	ADAPTER - STRAIGHT #6 (3/8") ORFS X #6 (3/8") TUBE
62	1	MF17-1150-N	ADAPTER - STRAIGHT, 8 ORFS FEMALE SWVL X 6 ORFS
63	1	MF17-1600	TEE - RUN #8 STANDARD ORING BOSS (M) X #8 ORFS (M) X #8 ORFS (M)
64	2	MF18-1000-RED	CAP - VENT, HEAVY DUTY, 0.5"
65	1	MG04-1600	SUPPORT - GAUGE MOUNT
66	1	MG25-1607	GAUGE, 0-6000 PSI, 2.5" DIAMETER PANEL MOUNT, 3/8" TUBE
67	4	MH27-1001-004-20-100-YZ-008-HH	(VMI) HX CP PL USS 1/4X1
68	16	MH27-1001-004-20-225-YZ-008-HH	(VMI) HX CP PL USS 1/4X2-1/4
69	6	MH27-1001-004-20-250-YZ-008-HH	(VMI) HX CP PL USS 1/4X2-1/2
70	148	MH27-1001-006-16-125-ZN-008-BH	(VMI) 3/8"-16 X 1.25" BUTTON HEAD BOLT
71	129	MH27-1001-006-16-150-YZ-008-HH	(VMI) HCS 3/8-16 x 1.5 YZ8
72	40	MH27-1001-008-13-150-ZN-008-BH	(RFW) BOLT - 1/2"-13 X 1-1/2" BUTTON HEAD BOLT
73	16	MH27-1001-008-13-550-YZ-008-HH	(VMI) HX CP PL USS 1/2X5-1/2
74	4	MH27-1001-010-11-150-YZ-008-FL	BOLT - FLANGE, GRADE 8, 5/8-11 X 1.50" LONG
75	6	MH27-1003-004-20-YZ-008-NL	(VMI) NYLON LOCKNU GR.8 1/4-20
76	89	MH27-1003-006-16-YZ-008-NL	(VMI) NYLON LOCNUT GR.8 3/8-16
77	56	MH27-1003-008-13-YZ-008-NL	(VMI) NYLON LOCNUT GR.8 1/2-13
78	4	MH27-1003-010-11-YZ-008-FL	NUT - FLANGE, 5/8"-11, YELLOW ZINC GRADE 8
79	32	MH27-1004-004-FL-YZ-008	WASHER - FLAT, 1/4" YELLOW ZINC, HARDENED (GRADE 8)
80	366	MH27-1004-M06-FL-SS-008	WASHER - FLAT, 3/8", YELLOW ZINC, HARDENED (GRADE 8)
81	112	MH27-1004-008-FL-YZ-008	WASHER - FLAT, 1/2", YELLOW ZINC, HARDENED (GRADE 8)
82	170	MH27-1006-006-LK-YZ-008	WASHER - 3/8", LOCK WASHER, YZ, GRADE 8
83	20	MH27-1009	NUT - HALF HEX RIVET - 1/4"-20 (GRIP RANGE 0.165-0.260)
84	188	MH27-1010	NUT - HALF HEX RIVET, 3/8"-16, GRADE 5, (GRIP RANGE 0.150" - 0.312")
85	8	MH27-1014	U-NUT - 1/4" - 20
86	8	MH27-1102-N	FASTENER - WING SCREW STAMPED, 004-20-075-ZN
87	4	MS19-1600	VALVE-TANK, OMB BETA NEW PLUS
88	1	MT21-1516L-N	TUBE 1/2" - PRD TO VENT, LEFT, DADEE ROOF MOUNT
89	1	MT21-1516R-N	TUBE 1/2" - PRD TO VENT, RIGHT, DADEE ROOF MOUNT
90	1	MT21-1519-RED	TUBE 1/2" - PRD TO PRD, DADEE ROOF MOUNT
91	1	MT21-1520-N	TUBE 1/2" - PRD TO PRD, DADEE ROOF MOUNT
92	1	MT21-1521-RED	TUBE 1/2" - PRD TO PRD, DADEE ROOF MOUNT
93	1	MT21-1522-N	TUBE 1/2" - PRD TO PRD, DADEE ROOF MOUNT
94	1	MT21-2065-YELLOW	TUBE - 1/2", SUPPLY, AMREP ROOF MOUNT
95	1	MT21-2076-RED	TUBE 1/2" - AMREP ROOF MOUNT
96	2	MT21-2083-RED	TUBING 1/2" - ROOF MOUNT
97	1	MT21-2136-RED	TUBING - 1/2", 95 DGE ROOF MOUNT, CURBTENDER
98	1	MT21-2137-RED	TUBING - 1/2", 95 DGE ROOF MOUNT, CURBTENDER
99	1	MT21-2138-RED	TUBING - 1/2", 95 DGE ROOF MOUNT, CURBTENDER
100	3	MT21-2471-YELLOW	TUBE - 1/2", ROOF MOUNT
101	1	MT21-2475-RED	TUBE - 3/8", ROOF MOUNT
102	2	MT21-2493-N	TUBE - 1/2", PRD TO PRD, CURBTENDER ROOF MOUNT
103	2	MT21-2493-RED	TUBE - 1/2", PRD TO PRD, CURBTENDER ROOF MOUNT
104	5	MW18-1000	PRD - OMB YORK

**ESTIMATED WEIGHT**  
**EMPTY: 2150 LBS**  
**FILLED: 2750 LBS**

**PRELIMINARY**

**I**

**DO NOT SCALE THIS PRINT**

**CONFIDENTIAL AND TRADE SECRET INFORMATION OF NATURAL GAS FUEL SYSTEMS, INC. dba MOMENTUM FUEL TECHNOLOGIES**  
This document and the information in it is confidential, proprietary and trade secret information of Natural Gas Fuel Systems, Inc. dba Momentum Fuel Technologies on behalf of itself and its subsidiaries and affiliates ("Momentum"). It contains information intended only for the person to whom it is transmitted and may not be disclosed to any third party, in whole or in part, or used to manufacture anything shown or referred to herein, without Momentum's express, written permission. This document must be returned to Momentum on request.

Any form of reproduction, dissemination, copying, disclosure, modification, distribution, and or publication of this document and the information contained herein is strictly prohibited.

This notice must appear on any complete or partial reproduction of this document or the information contained herein.

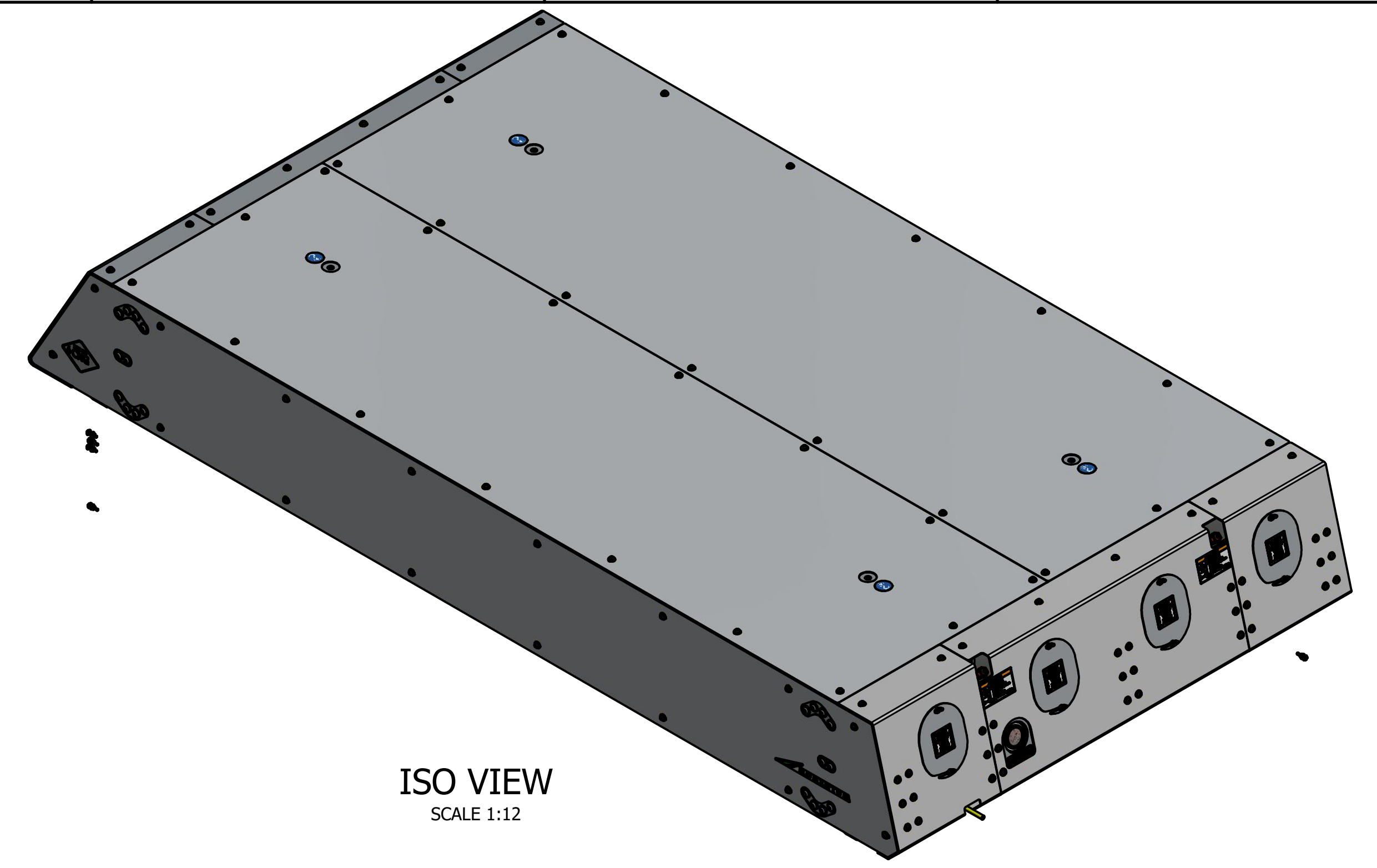
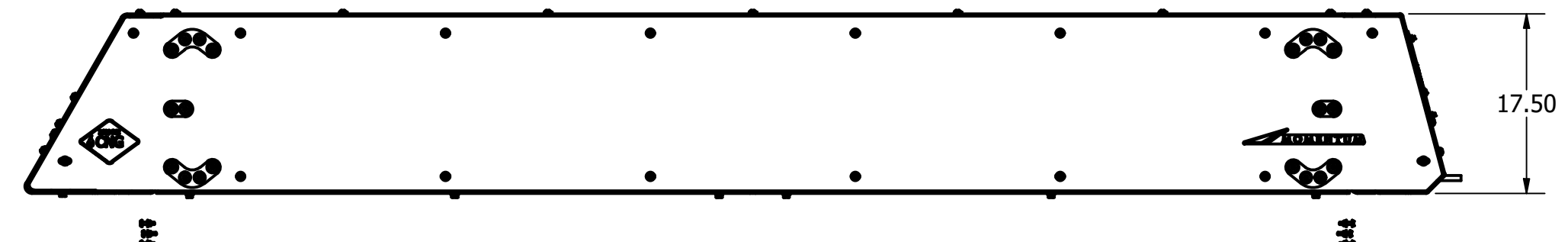
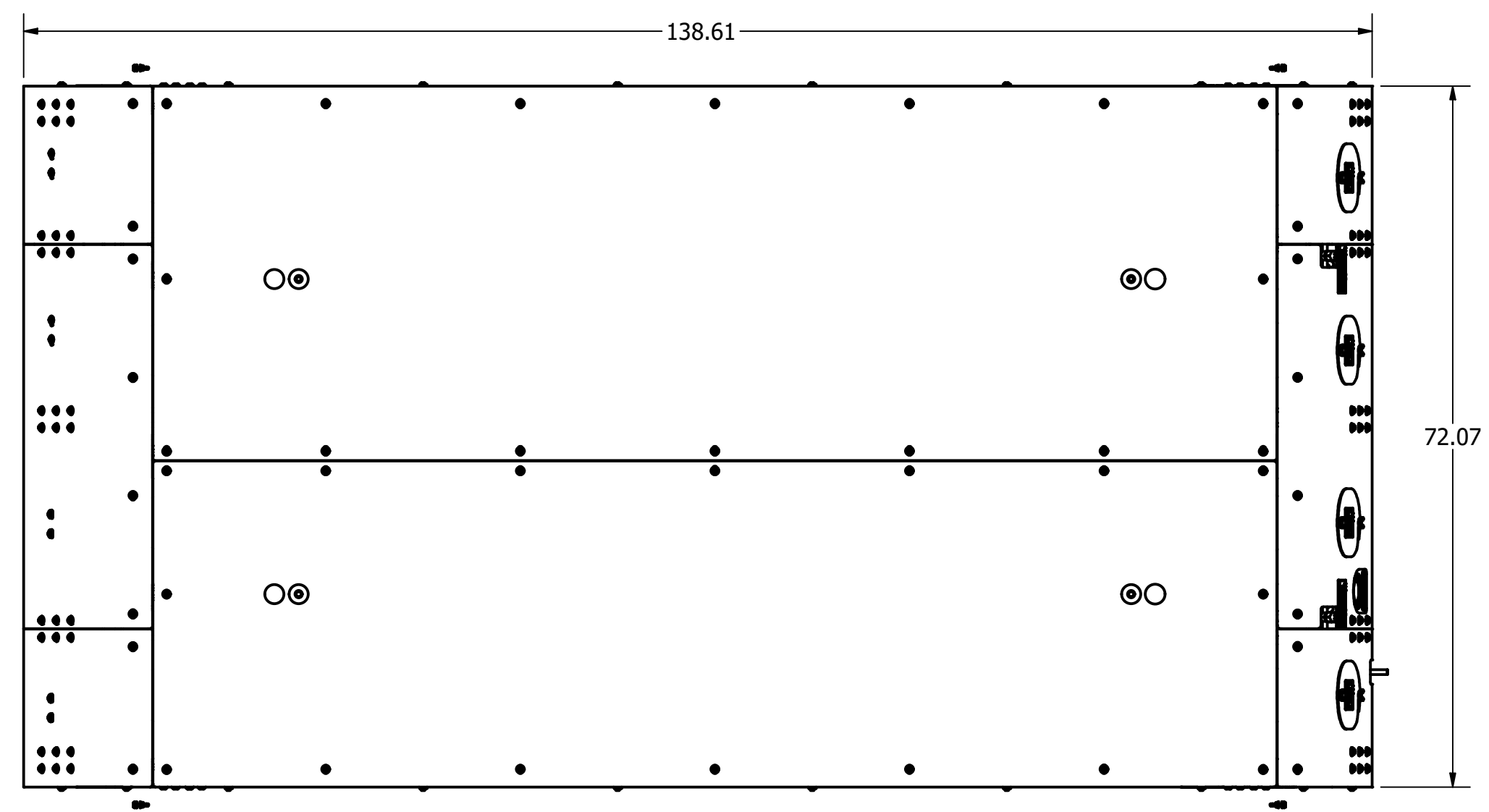
Copyright © 2020 Natural Gas Fuel Systems, Inc. dba Momentum Fuel Technologies. All rights reserved.

ALL DIMENSION TOLERANCES UNLESS NOTED  
ONE PLACE .X ±.06  
TWO PLACES .XX ±.03  
THREE PLACES .XXX ±.010  
FOUR PLACES .XXXX ±.0010  
ANGLES ±1.0°  
ALL MACHINED SURFACES TO BE 250 RMS UNLESS NOTED.

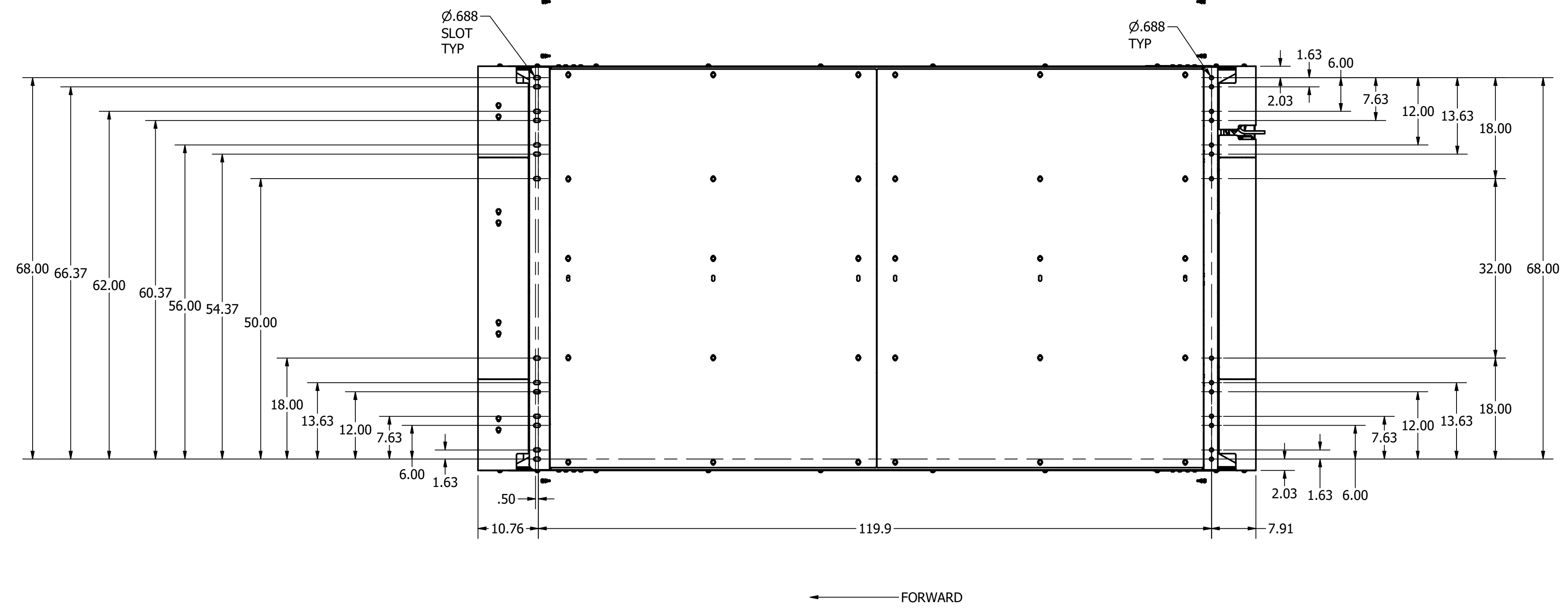
NOTES:  
1) FOR INFORMATION NOT CONTAINED IN THIS PRINT REFERENCE THE MATH DATA FOR THIS PART (400-009500-3001023)  
2) ALL DIMENSIONS ARE IN INCHES

DRAWN KSA	7/3/2020	<b>MOMENTUM FUEL TECHNOLOGIES</b> 1051 Republic Drive, Suite 200 Roanoke, TX 76262	
CHECKED			
QA		TITLE	
MFG		SYSTEM-ROOF MOUNT, 95 DGE, FOR USE WITH SIDE LOADERS	
APPROVED		SIZE	REV
Part Mass N/A		D	A
SCALE		DWG NO 400-009500-3001023	SHEET 1 OF 6

8 7 6 5 4 3 2 1



ISO VIEW  
SCALE 1:12



NOTES:

- 1) FOR INFORMATION NOT CONTAINED IN THIS PRINT REFERENCE THE MATH DATA FOR THIS PART (400-009500-3001023)
- 2) ALL DIMENSIONS ARE IN INCHES
- 3) PART SHALL BE FREE OF BURRS, FLASH AND SHARP EDGES
- 4) ESTIMATED WEIGHTS: 2200 LBS EMPTY, 2800 LBS WITH FUEL
- 5) INITIAL USE: 95 DGE ROOF MOUNT SYSTEMS FOR SIDE LOADER BODIES
- 6) PART NUMBER, REV LEVEL, AND SUPPLIER CODE REQUIRED ON ALL PARTS. REFER TO DRAWING FOR SPECIFIC LOCATION, WHERE APPLICABLE. ETCH, STAMP, OR OTHERWISE PERMANENTLY ATTACH REQUIRED INFORMATION ON LARGER PARTS. PERMANENT MARKINGS SHALL BE PLACED IN SUCH A WAY THAT THEY ARE VISIBLE AFTER PART IS COATED OR PAINTED. SMALLER PARTS SHOULD HAVE THE INFORMATION ATTACHED BY THE BEST METHOD POSSIBLE. ALTERNATE MEANS OF ATTACHING INFORMATION MUST BE APPROVED.
- 7) IF MOUNTING TO CHANNELS, MUST UTILIZE FOLLOWING HOLES:  
 REAR END STREET SIDE  
 EITHER FIRST HOLE OR 1.63"  
 EITHER 6.00" OR 7.63"  
 EITHER 12.00" OR 13.63"  
  
 REAR END CURB SIDE  
 EITHER FIRST HOLE OR 1.63"  
 EITHER 6.00" OR 7.63"  
 EITHER 12.00" OR 13.63"  
  
 FORWARD END  
 EITHER FIRST HOLE OR 1.63"  
 EITHER 6.00" OR 7.63"  
 EITHER 12.00" OR 13.63"  
 18.00"  
 50.00"  
 EITHER 54.37" OR 56.00"  
 EITHER 60.37" OR 62.00"  
 EITHER 66.37" OR 68.00"

PRELIMINARY

I

DO NOT SCALE THIS PRINT

**CONFIDENTIAL AND TRADE SECRET INFORMATION OF NATURAL GAS FUEL SYSTEMS, INC. dba MOMENTUM FUEL TECHNOLOGIES**  
 This document and the information in it is confidential, proprietary and trade secret information of Natural Gas Fuel Systems, Inc. dba Momentum Fuel Technologies on behalf of itself and its subsidiaries and affiliates ("Momentum"). It contains information intended only for the person to whom it is transmitted and may not be disclosed to any third party, in whole or in part, or used to manufacture anything shown or referred to herein, without Momentum's express, written permission. This document must be returned to Momentum on request.

Any form of reproduction, dissemination, copying, disclosure, modification, distribution, and or publication of this document and the information contained herein is strictly prohibited.

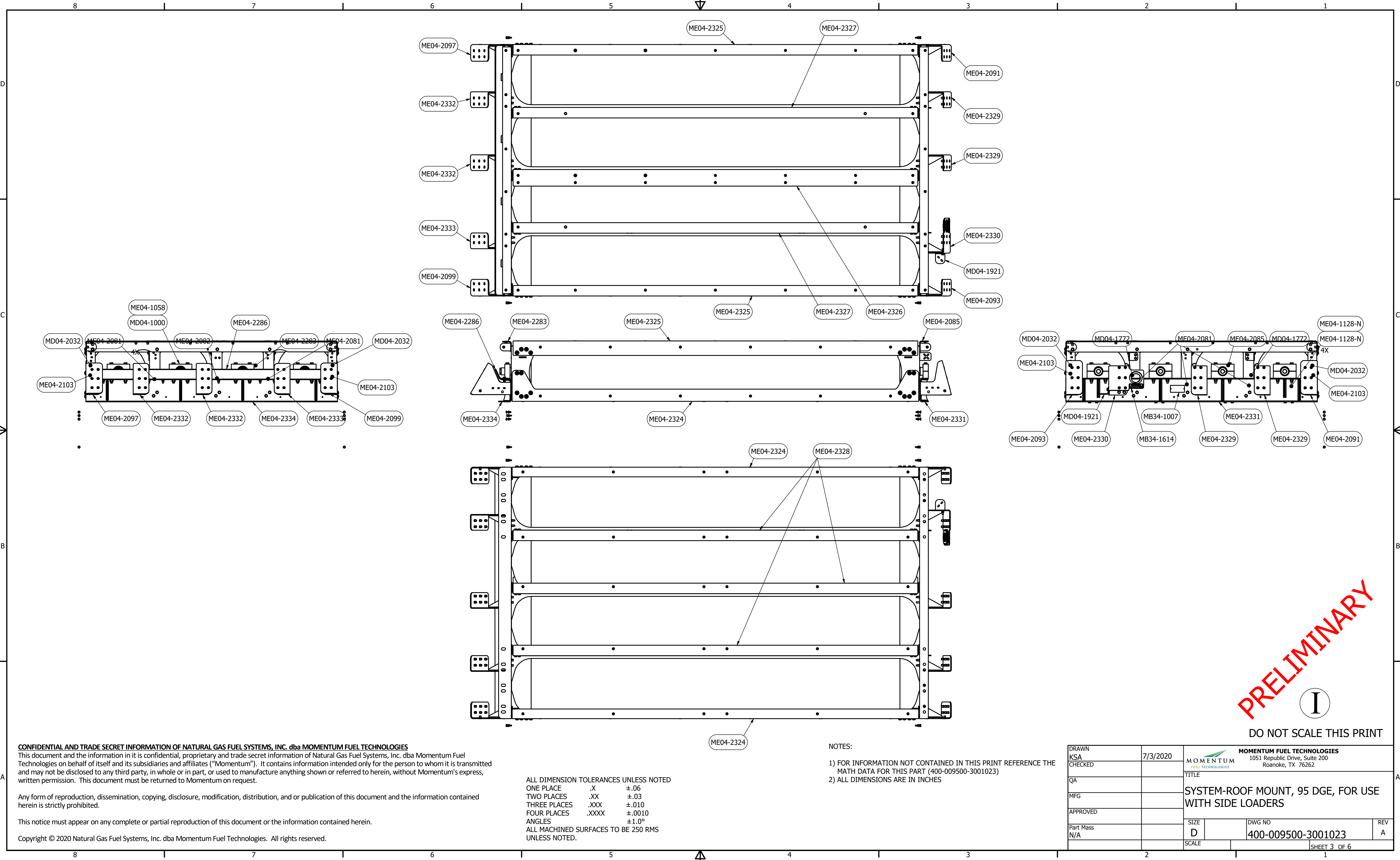
This notice must appear on any complete or partial reproduction of this document or the information contained herein.

Copyright © 2020 Natural Gas Fuel Systems, Inc. dba Momentum Fuel Technologies. All rights reserved.

ALL DIMENSION TOLERANCES UNLESS NOTED  
 ONE PLACE .X ±.06  
 TWO PLACES .XX ±.03  
 THREE PLACES .XXX ±.010  
 FOUR PLACES .XXXX ±.0010  
 ANGLES ±1.0°  
 ALL MACHINED SURFACES TO BE 250 RMS UNLESS NOTED.

DRAWN	7/3/2020	MOMENTUM FUEL TECHNOLOGIES 1051 Republic Drive, Suite 200 Roanoke, TX 76262	
CHECKED		TITLE	
QA		SYSTEM-ROOF MOUNT, 95 DGE, FOR USE WITH SIDE LOADERS	
MFG		SIZE	DWG NO
APPROVED		D	400-009500-3001023
Part Mass		SCALE	REV A
N/A			SHEET 2 OF 6

8 7 6 5 4 3 2 1



PRELIMINARY

I

DO NOT SCALE THIS PRINT

**CONFIDENTIAL AND TRADE SECRET INFORMATION OF NATURAL GAS FUEL SYSTEMS, INC. dba MOMENTUM FUEL TECHNOLOGIES**  
 This document and the information in it is confidential, proprietary and trade secret information of Natural Gas Fuel Systems, Inc. dba Momentum Fuel Technologies on behalf of itself and its subsidiaries and affiliates ("Momentum"). It contains information intended only for the person to whom it is transmitted and may not be disclosed to any third party, in whole or in part, or used to manufacture anything shown or referred to herein, without Momentum's express, written permission. This document must be returned to Momentum on request.

Any form of reproduction, dissemination, copying, disclosure, modification, distribution, and or publication of this document and the information contained herein is strictly prohibited.

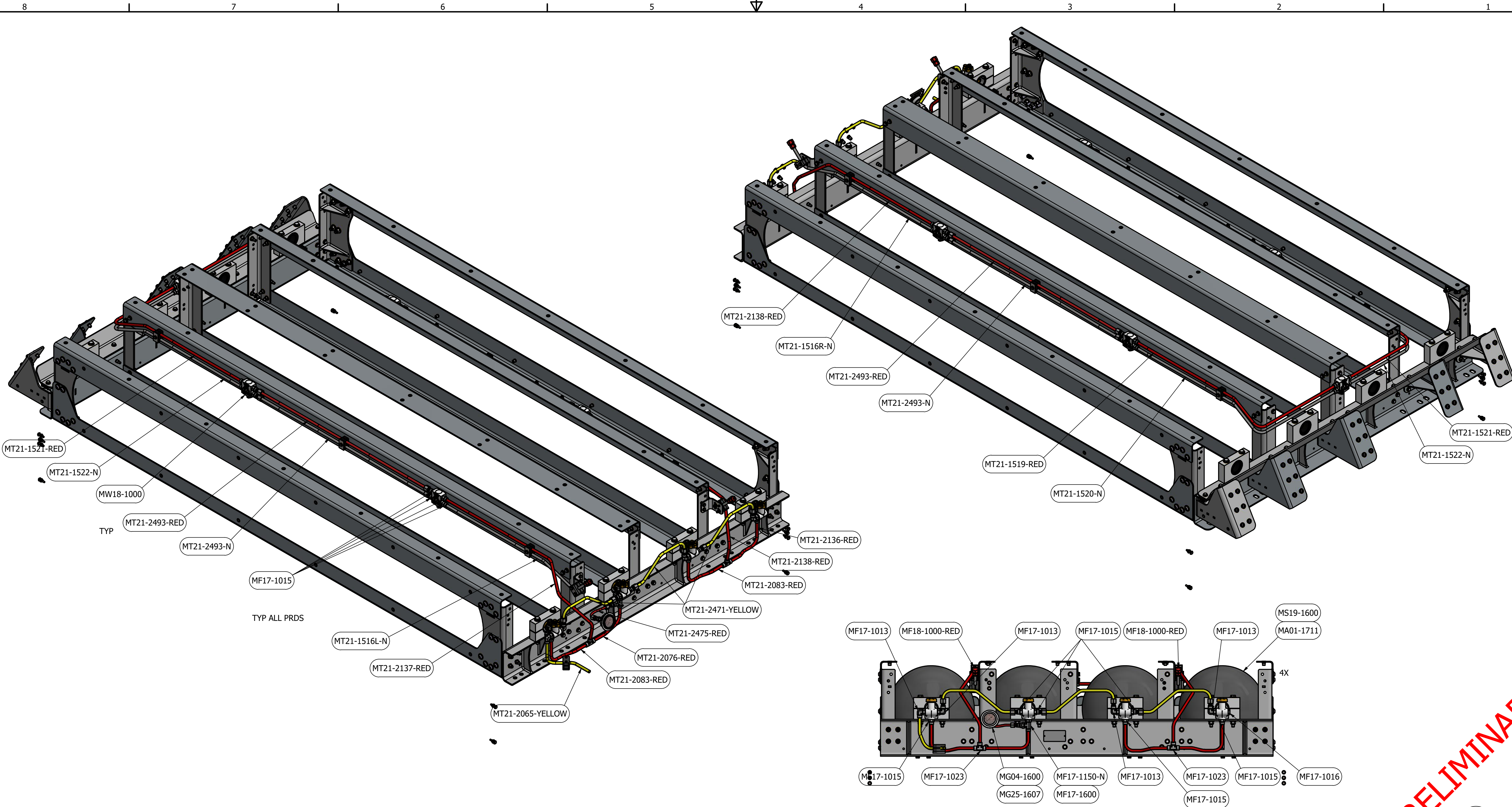
This notice must appear on any complete or partial reproduction of this document or the information contained herein.

Copyright © 2020 Natural Gas Fuel Systems, Inc. dba Momentum Fuel Technologies. All rights reserved.

ALL DIMENSION TOLERANCES UNLESS NOTED  
 ONE PLACE .X ±.06  
 TWO PLACES .XX ±.03  
 THREE PLACES .XXX ±.010  
 FOUR PLACES .XXXX ±.0010  
 ANGLES ±1.0°  
 ALL MACHINED SURFACES TO BE 250 RMS UNLESS NOTED.

NOTES:  
 1) FOR INFORMATION NOT CONTAINED IN THIS PRINT REFERENCE THE MATH DATA FOR THIS PART (400-009500-3001023)  
 2) ALL DIMENSIONS ARE IN INCHES

DRAWN	KSA	7/3/2020	<b>MOMENTUM FUEL TECHNOLOGIES</b> 1051 Republic Drive, Suite 200 Roanoke, TX 76262	
CHECKED				
QA			TITLE	
MFG			SYSTEM-ROOF MOUNT, 95 DGE, FOR USE WITH SIDE LOADERS	
APPROVED			SIZE	DWG NO
Part Mass	N/A		D	400-009500-3001023
SCALE				REV A
				SHEET 3 OF 6



PRELIMINARY

I

DO NOT SCALE THIS PRINT

**CONFIDENTIAL AND TRADE SECRET INFORMATION OF NATURAL GAS FUEL SYSTEMS, INC. dba MOMENTUM FUEL TECHNOLOGIES**  
 This document and the information in it is confidential, proprietary and trade secret information of Natural Gas Fuel Systems, Inc. dba Momentum Fuel Technologies on behalf of itself and its subsidiaries and affiliates ("Momentum"). It contains information intended only for the person to whom it is transmitted and may not be disclosed to any third party, in whole or in part, or used to manufacture anything shown or referred to herein, without Momentum's express, written permission. This document must be returned to Momentum on request.

Any form of reproduction, dissemination, copying, disclosure, modification, distribution, and or publication of this document and the information contained herein is strictly prohibited.

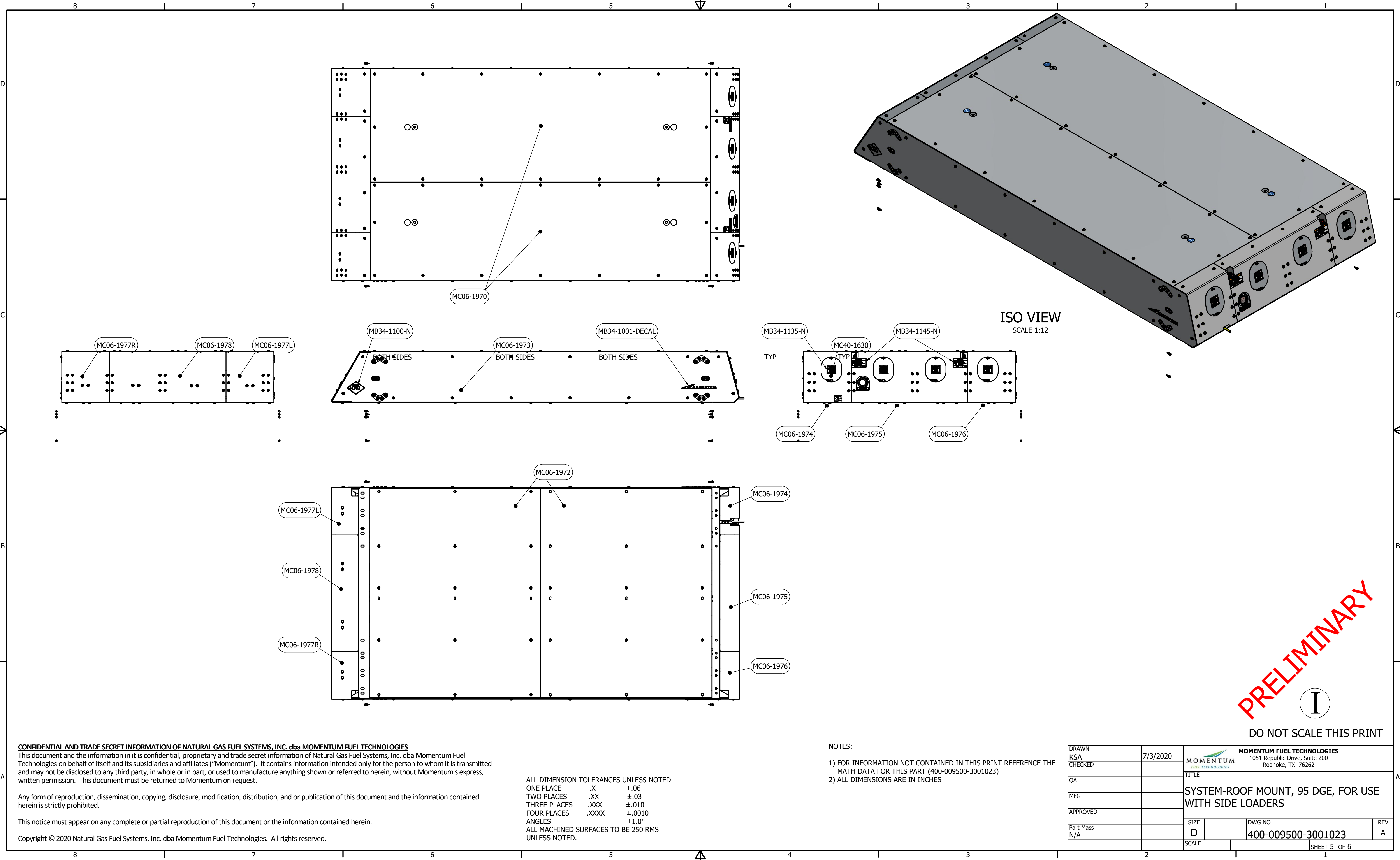
This notice must appear on any complete or partial reproduction of this document or the information contained herein.

Copyright © 2020 Natural Gas Fuel Systems, Inc. dba Momentum Fuel Technologies. All rights reserved.

ALL DIMENSION TOLERANCES UNLESS NOTED  
 ONE PLACE .X ±.06  
 TWO PLACES .XX ±.03  
 THREE PLACES .XXX ±.010  
 FOUR PLACES .XXXX ±.0010  
 ANGLES ±1.0°  
 ALL MACHINED SURFACES TO BE 250 RMS UNLESS NOTED.

NOTES:  
 1) FOR INFORMATION NOT CONTAINED IN THIS PRINT REFERENCE THE MATH DATA FOR THIS PART (400-009500-3001023)  
 2) ALL DIMENSIONS ARE IN INCHES

DRAWN	KSA	7/3/2020	<b>MOMENTUM FUEL TECHNOLOGIES</b> 1051 Republic Drive, Suite 200 Roanoke, TX 76262	
CHECKED				
QA			TITLE	
MF17-1015			SYSTEM-ROOF MOUNT, 95 DGE, FOR USE WITH SIDE LOADERS	
APPROVED			SIZE	DWG NO
			D	400-009500-3001023
Part Mass	N/A		SCALE	REV
				A
				SHEET 4 OF 6



ISO VIEW  
SCALE 1:12

PRELIMINARY

I

DO NOT SCALE THIS PRINT

**CONFIDENTIAL AND TRADE SECRET INFORMATION OF NATURAL GAS FUEL SYSTEMS, INC. dba MOMENTUM FUEL TECHNOLOGIES**  
 This document and the information in it is confidential, proprietary and trade secret information of Natural Gas Fuel Systems, Inc. dba Momentum Fuel Technologies on behalf of itself and its subsidiaries and affiliates ("Momentum"). It contains information intended only for the person to whom it is transmitted and may not be disclosed to any third party, in whole or in part, or used to manufacture anything shown or referred to herein, without Momentum's express, written permission. This document must be returned to Momentum on request.

Any form of reproduction, dissemination, copying, disclosure, modification, distribution, and or publication of this document and the information contained herein is strictly prohibited.

This notice must appear on any complete or partial reproduction of this document or the information contained herein.

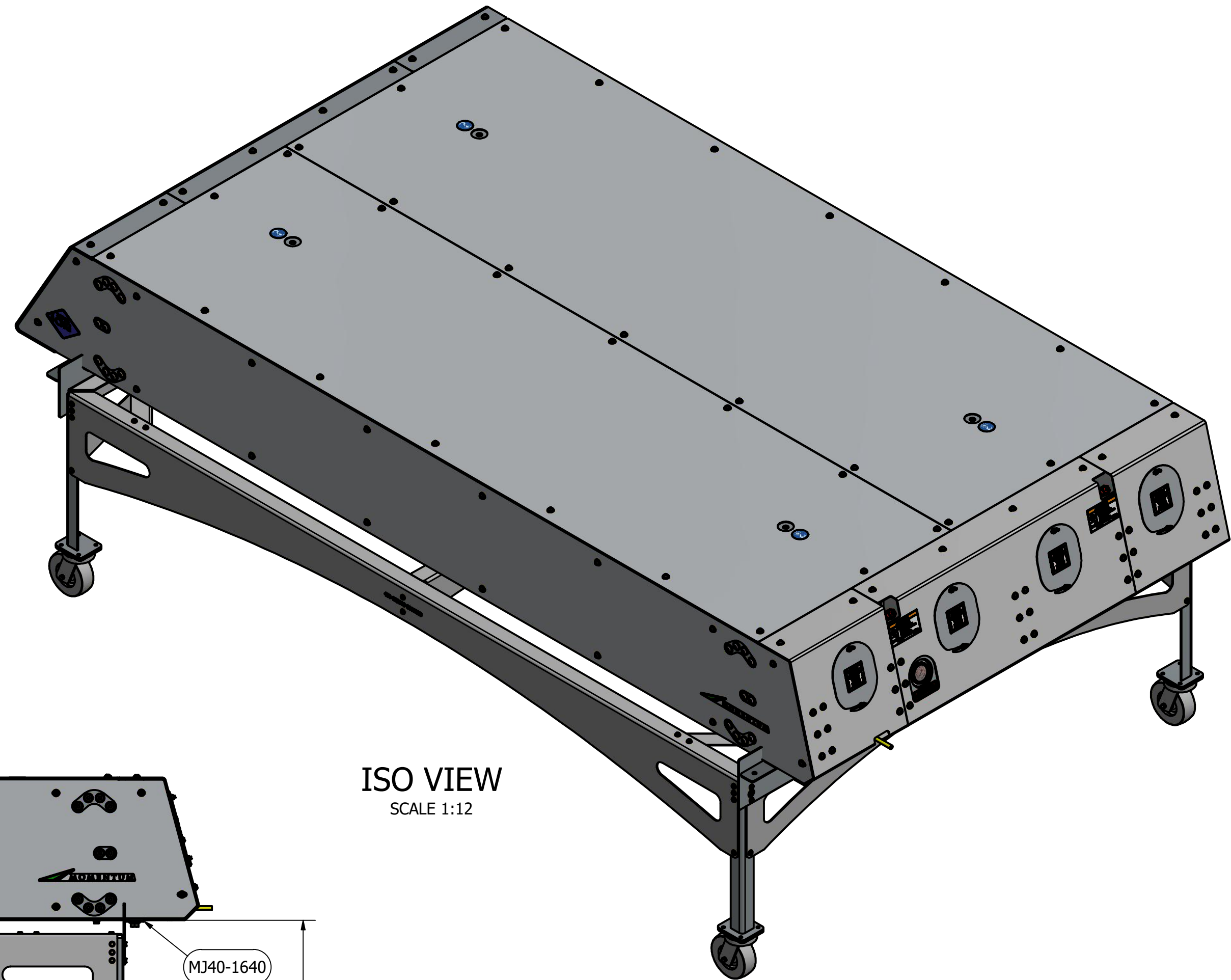
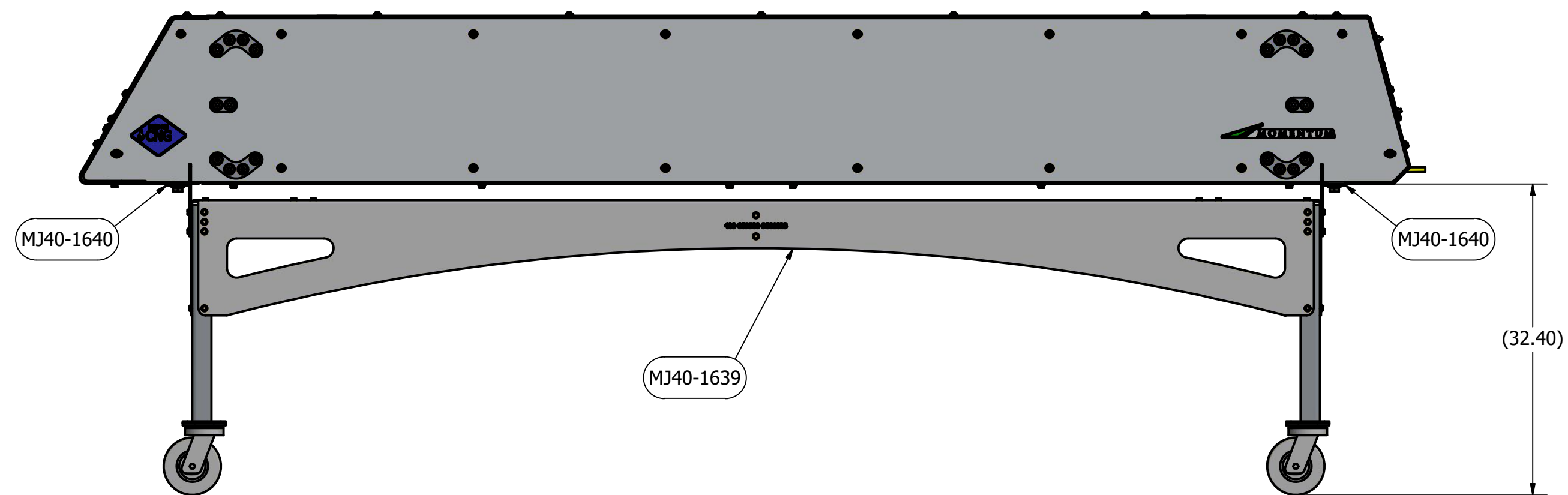
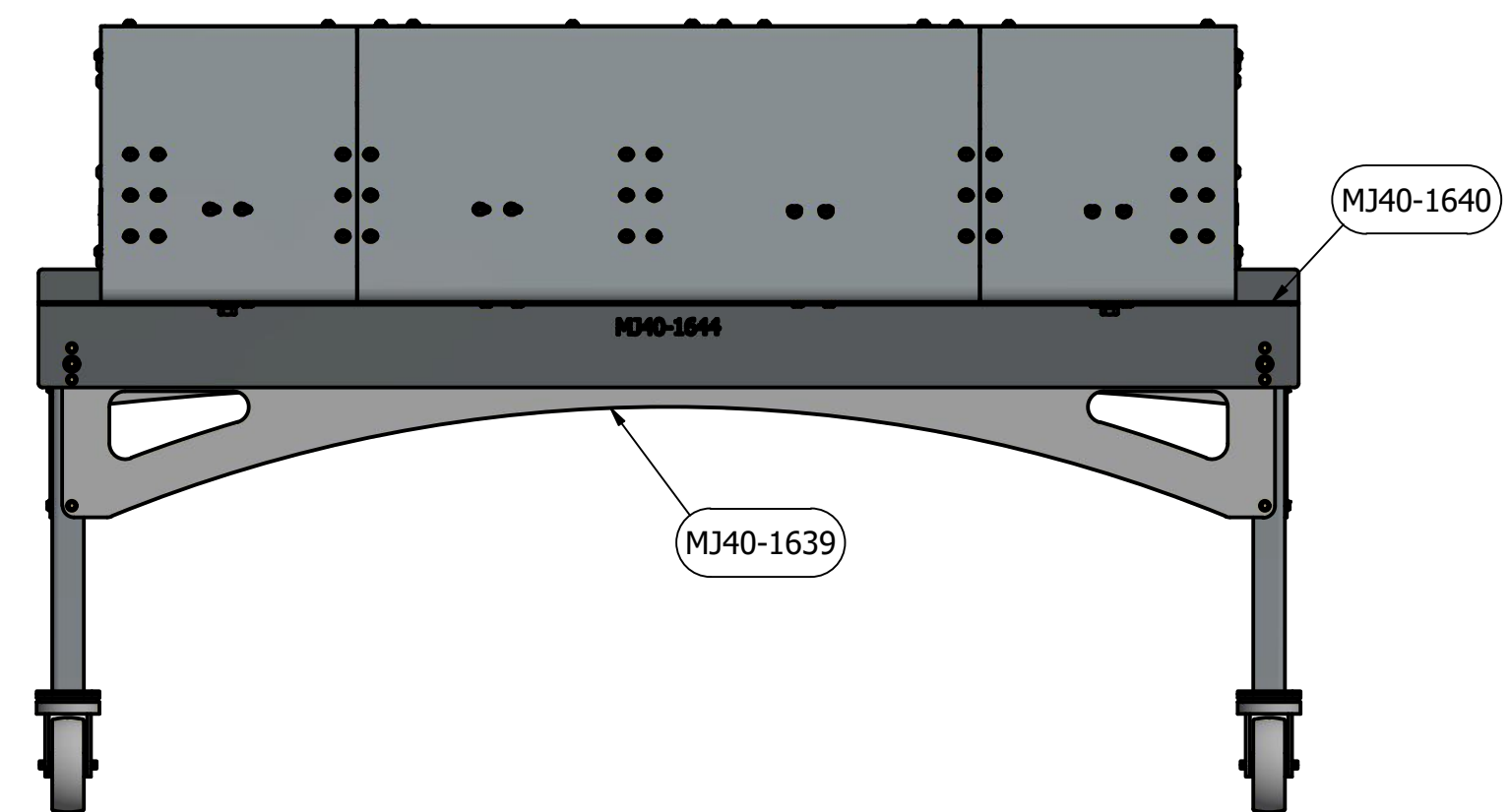
Copyright © 2020 Natural Gas Fuel Systems, Inc. dba Momentum Fuel Technologies. All rights reserved.

ALL DIMENSION TOLERANCES UNLESS NOTED  
 ONE PLACE .X ±.06  
 TWO PLACES .XX ±.03  
 THREE PLACES .XXX ±.010  
 FOUR PLACES .XXXX ±.0010  
 ANGLES ±1.0°  
 ALL MACHINED SURFACES TO BE 250 RMS UNLESS NOTED.

NOTES:  
 1) FOR INFORMATION NOT CONTAINED IN THIS PRINT REFERENCE THE MATH DATA FOR THIS PART (400-009500-3001023)  
 2) ALL DIMENSIONS ARE IN INCHES

DRAWN	KSA	7/3/2020	<b>MOMENTUM FUEL TECHNOLOGIES</b> 1051 Republic Drive, Suite 200 Roanoke, TX 76262		
CHECKED					
QA			TITLE		
MFG			SYSTEM-ROOF MOUNT, 95 DGE, FOR USE WITH SIDE LOADERS		
APPROVED					
Part Mass	N/A		SIZE	DWG NO	REV
			D	400-009500-3001023	A
			SCALE	SHEET 5 OF 6	

8 7 6 5 4 3 2 1



# BUILD JIG

PRELIMINARY

I

DO NOT SCALE THIS PRINT

**CONFIDENTIAL AND TRADE SECRET INFORMATION OF NATURAL GAS FUEL SYSTEMS, INC. dba MOMENTUM FUEL TECHNOLOGIES**  
 This document and the information in it is confidential, proprietary and trade secret information of Natural Gas Fuel Systems, Inc. dba Momentum Fuel Technologies on behalf of itself and its subsidiaries and affiliates ("Momentum"). It contains information intended only for the person to whom it is transmitted and may not be disclosed to any third party, in whole or in part, or used to manufacture anything shown or referred to herein, without Momentum's express, written permission. This document must be returned to Momentum on request.

Any form of reproduction, dissemination, copying, disclosure, modification, distribution, and or publication of this document and the information contained herein is strictly prohibited.

This notice must appear on any complete or partial reproduction of this document or the information contained herein.

Copyright © 2020 Natural Gas Fuel Systems, Inc. dba Momentum Fuel Technologies. All rights reserved.

ALL DIMENSION TOLERANCES UNLESS NOTED  
 ONE PLACE .X ±.06  
 TWO PLACES .XX ±.03  
 THREE PLACES .XXX ±.010  
 FOUR PLACES .XXXX ±.0010  
 ANGLES ±1.0°  
 ALL MACHINED SURFACES TO BE 250 RMS UNLESS NOTED.

- NOTES:  
 1) FOR INFORMATION NOT CONTAINED IN THIS PRINT REFERENCE THE MATH DATA FOR THIS PART (400-009500-3001023)  
 2) ALL DIMENSIONS ARE IN INCHES

DRAWN	7/3/2020	<b>MOMENTUM FUEL TECHNOLOGIES</b>	
CHECKED		1051 Republic Drive, Suite 200 Roanoke, TX 76262	
QA		TITLE	
MFG		<b>SYSTEM-ROOF MOUNT, 95 DGE, FOR USE WITH SIDE LOADERS</b>	
APPROVED		SIZE	DWG NO
Part Mass		D	400-009500-3001023
N/A		SCALE	REV A
			SHEET 6 OF 6

8 7 6 5 4 3 2 1