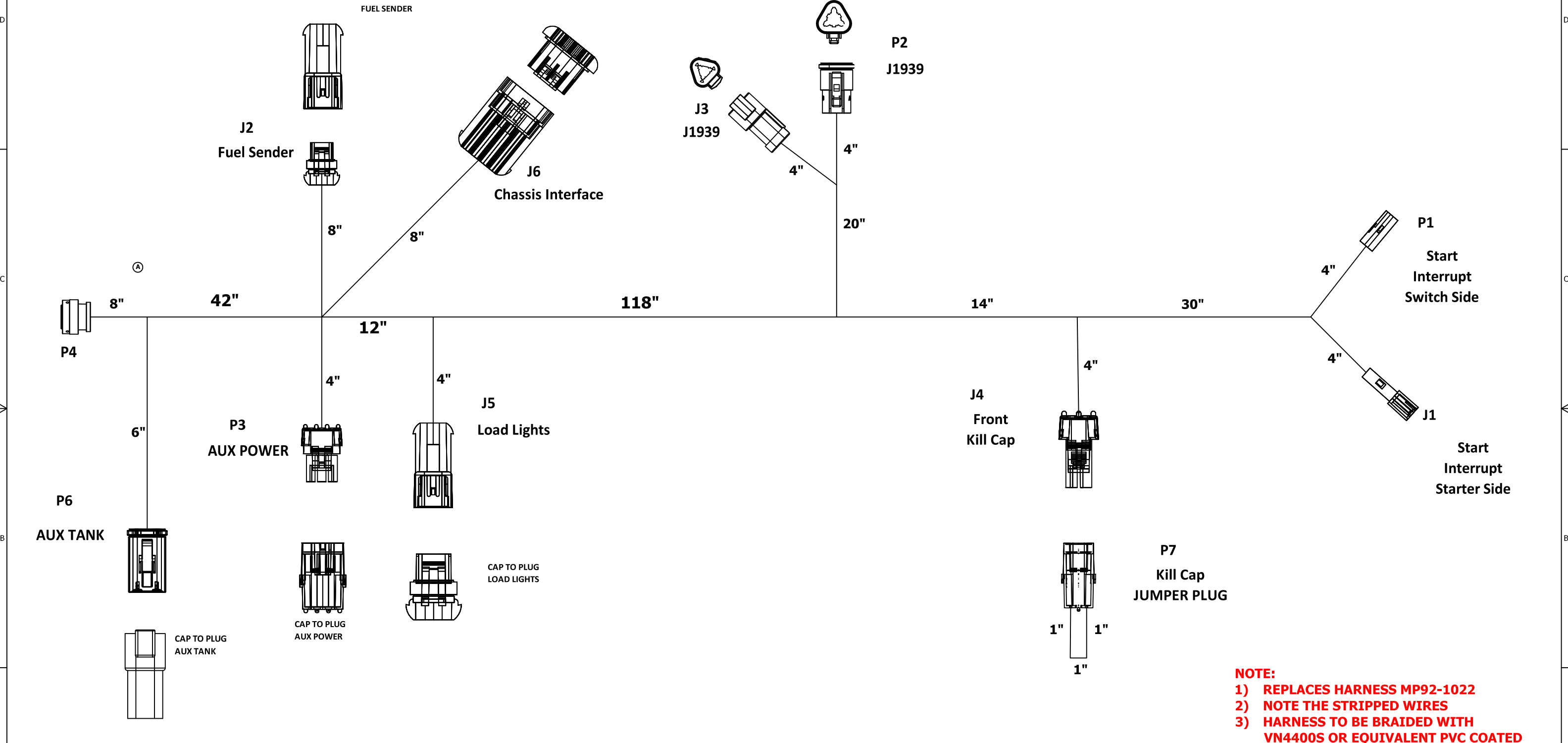


ZONE	REV	DESCRIPTION	DATE	APPROVED
C8	A	CHANGED CONNECTOR P/N FROM HDP26-24-23SN	9/11/2017	CBC



NOTE:
 1) REPLACES HARNESS MP92-1022
 2) NOTE THE STRIPPED WIRES
 3) HARNESS TO BE BRAIDED WITH VN4400S OR EQUIVALENT PVC COATED YARN

CONFIDENTIAL AND TRADE SECRET INFORMATION OF RUSH ENTERPRISES, INC.
 This document and the information in it is confidential, proprietary and trade secret information of Rush Enterprises, Inc. and its subsidiaries ("Rush"). It contains information intended only for the person to whom it is transmitted and may not be disclosed to any third party, in whole or in part, or used to manufacture anything shown or referred to herein, without Rush's express, written permission. This document must be returned to Rush on request.

Any form of reproduction, dissemination, copying, disclosure, modification, distribution and or publication of this document and the information contained herein is strictly prohibited.

This notice must appear on any complete or partial reproduction of this document or the information contained herein.

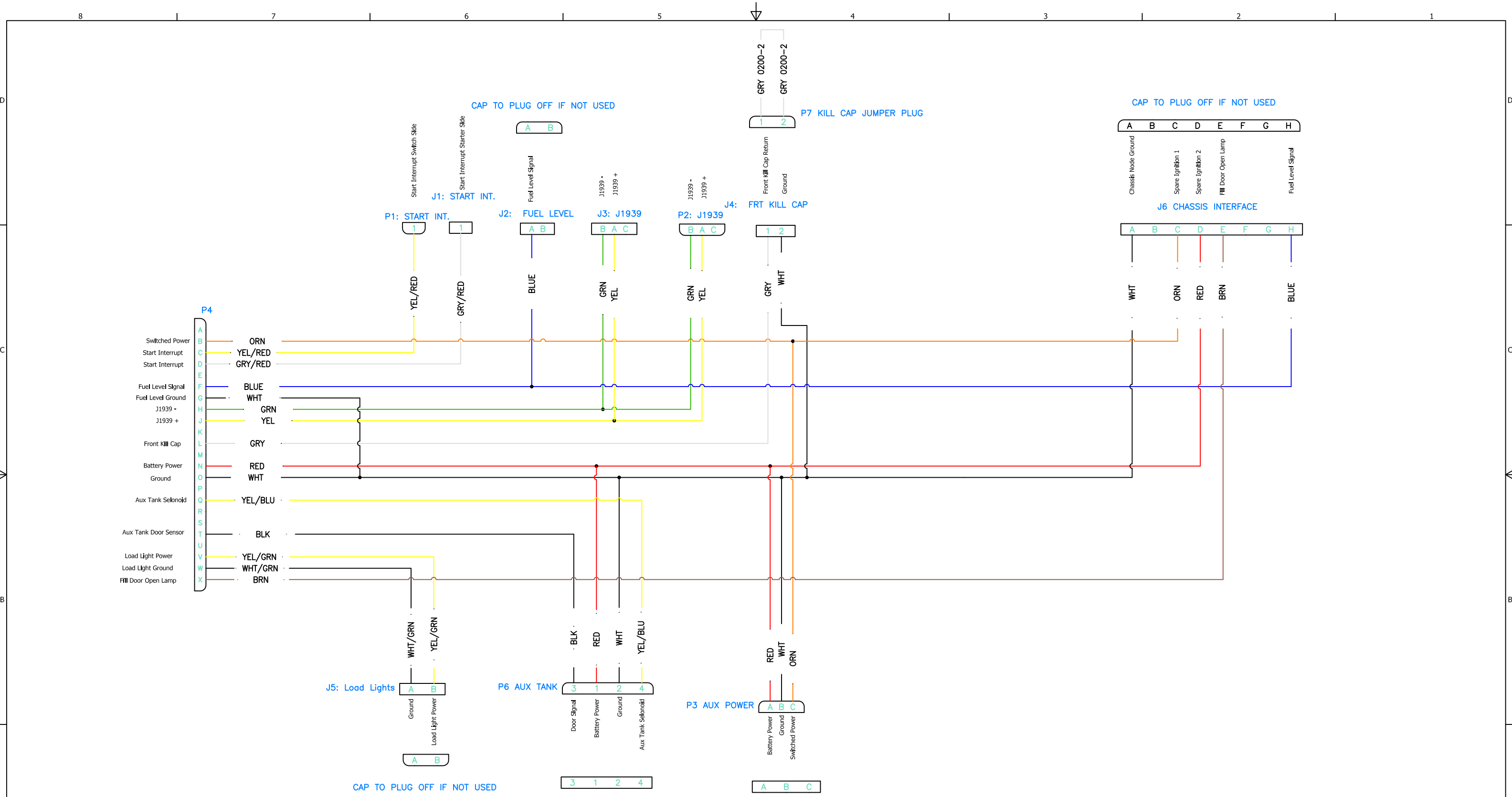
Copyright © 2014 Rush Enterprises, Inc. All rights reserved.

ALL DIMENSION TOLERANCES UNLESS NOTED
 ONE PLACE .X ±.06
 TWO PLACES .XX ±.03
 THREE PLACES .XXX ±.010
 FOUR PLACES .XXXX ±.0010
 ALL MACHINED SURFACES TO BE 250 RMS UNLESS NOTED.



DO NOT SCALE THIS PRINT

DRAWN brummern	1/16/2017	MOMENTUM FUEL TECHNOLOGIES 1051 Republic Drive, Suite 200 Roanoke, TX 76262	
CHECKED CULBERSONC	2/13/2017	TITLE Harness-Chassis Interface, Peterbilt NGP Cab	
QA		SIZE D	DWG NO MP92-1028
MFG		SCALE	REV A
APPROVED CULBERSONC	2/13/2017	SHEET 1 OF 2	
Part Mass			



CONFIDENTIAL AND TRADE SECRET INFORMATION OF RUSH ENTERPRISES, INC.
 This document and the information in it is confidential, proprietary and trade secret information of Rush Enterprises, Inc. and its subsidiaries ("Rush"). It contains information intended only for the person to whom it is transmitted and may not be disclosed to any third party, in whole or in part, or used to manufacture anything shown or referred to herein, without Rush's express, written permission. This document must be returned to Rush on request.

Any form of reproduction, dissemination, copying, disclosure, modification, distribution and or publication of this document and the information contained herein is strictly prohibited.

This notice must appear on any complete or partial reproduction of this document or the information contained herein.

Copyright © 2014 Rush Enterprises, Inc. All rights reserved.

ALL DIMENSION TOLERANCES UNLESS NOTED
 ONE PLACE .X ±.06
 TWO PLACES .XX ±.03
 THREE PLACES .XXX ±.010
 FOUR PLACES .XXXX ±.0010
 ALL MACHINED SURFACES TO BE 250 RMS UNLESS NOTED.



DO NOT SCALE THIS PRINT

DRAWN brummerm	1/16/2017	MOMENTUM FUEL TECHNOLOGIES 1051 Republic Drive, Suite 200 Roanoke, TX 76262	
CHECKED CULBERSONC	2/13/2017		
QA		TITLE Harness-Chassis Interface, Peterbilt NGP Cab	
MFG		SIZE D	REV A
APPROVED CULBERSONC	2/13/2017	DWG NO MP92-1028	
Part Mass		SCALE	SHEET 2 OF 2