

HDP26-18-8PN
SEE NOTE 2

- NOTE:**
- 1) 520 Truck Model ONLY
 - 2) SHIP CONNECTOR LOOSE IN A BAG TIED TO THE HARNESSES CONNECTOR PART NUMBER IS HDP26-18-8PN
 - 3) LABEL THE TERMINAL WIRES WITH CORRESPONDING PIN NUMBER
 - 4) ALL WIRES TO BE 18 AWG TXL
 - 5) VN 4400S OR EQUIVALENT PVC COATED YARN
 - 6) REPLACES HARNESS MP92-1614

CONFIDENTIAL AND TRADE SECRET INFORMATION OF RUSH ENTERPRISES, INC.
This document and the information in it is confidential, proprietary and trade secret information of Rush Enterprises, Inc. and its subsidiaries ("Rush"). It contains information intended only for the person to whom it is transmitted and may not be disclosed to any third party, in whole or in part, or used to manufacture anything shown or referred to herein, without Rush's express, written permission. This document must be returned to Rush on request.

Any form of reproduction, dissemination, copying, disclosure, modification, distribution and or publication of this document and the information contained herein is strictly prohibited.

This notice must appear on any complete or partial reproduction of this document or the information contained herein.

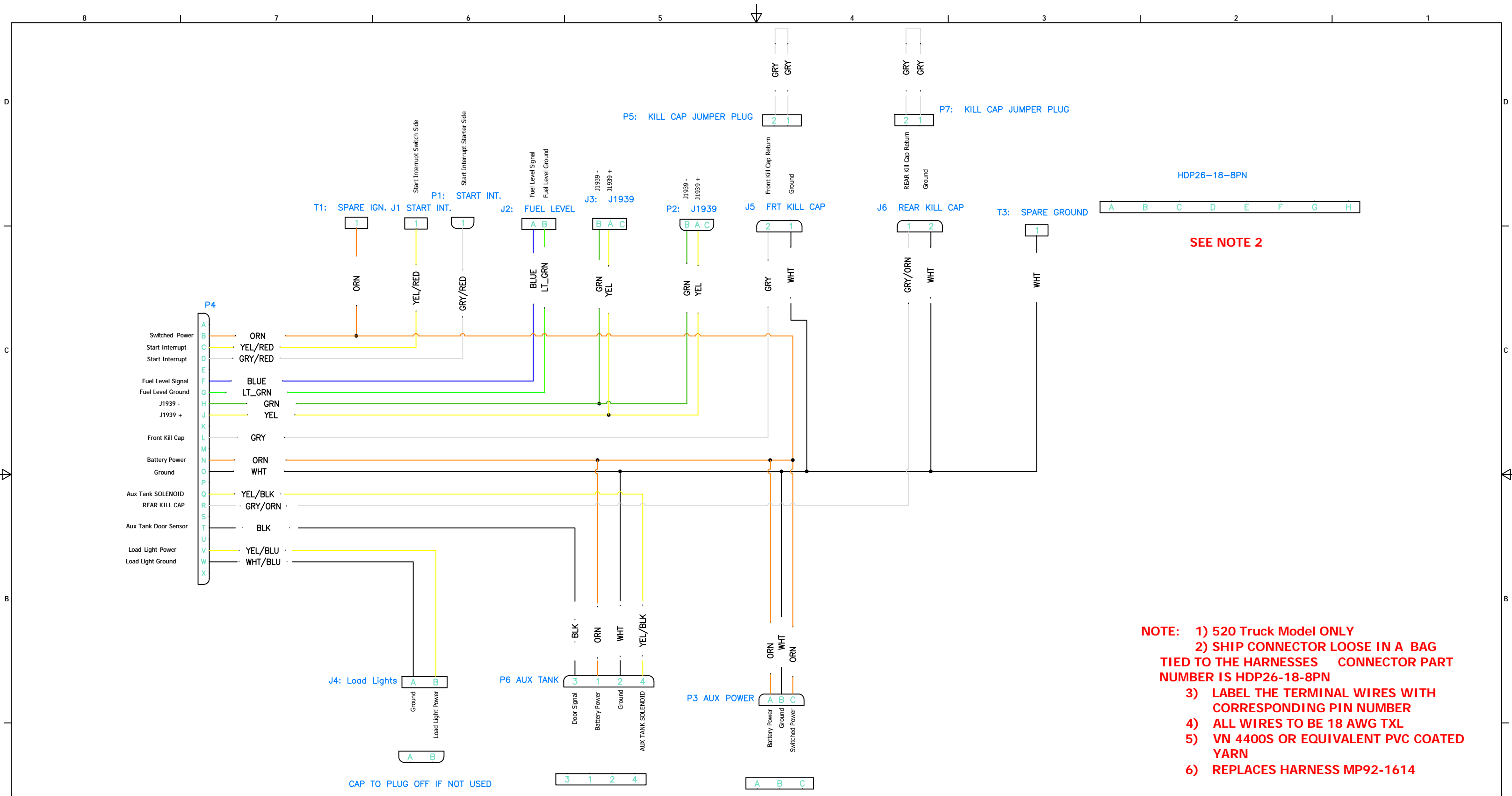
Copyright © 2014 Rush Enterprises, Inc. All rights reserved.

ALL DIMENSION TOLERANCES UNLESS NOTED
ONE PLACE .X ±.06
TWO PLACES .XX ±.03
THREE PLACES .XXX ±.010
FOUR PLACES .XXXX ±.0010
ALL MACHINED SURFACES TO BE 250 RMS UNLESS NOTED.



DO NOT SCALE THIS PRINT

DRAWN brumterm	5/25/2021	MOMENTUM FUEL TECHNOLOGIES 1051 Republic Drive, Suite 200 Roanoke, TX 76262		
CHECKED culbersonc	5/26/2021	TITLE Harness-Chassis Interface, Peterbilt 520 Cab		
OA		SIZE D	DWG NO MP92-1643	REV
APPROVED culbersonc Part Mass	5/26/2021	SCALE	SHEET 1 OF 2	



HDP26-18-8PN

SEE NOTE 2

- NOTE:**
- 1) 520 Truck Model ONLY
 - 2) SHIP CONNECTOR LOOSE IN A BAG TIED TO THE HARNESSES CONNECTOR PART NUMBER IS HDP26-18-8PN
 - 3) LABEL THE TERMINAL WIRES WITH CORRESPONDING PIN NUMBER
 - 4) ALL WIRES TO BE 18 AWG TXL
 - 5) VN 4400S OR EQUIVALENT PVC COATED YARN
 - 6) REPLACES HARNESS MP92-1614

CONFIDENTIAL AND TRADE SECRET INFORMATION OF RUSH ENTERPRISES, INC.
 This document and the information in it is confidential, proprietary and trade secret information of Rush Enterprises, Inc. and its subsidiaries ("Rush"). It contains information intended only for the person to whom it is transmitted and may not be disclosed to any third party, in whole or in part, or used to manufacture anything shown or referred to herein, without Rush's express, written permission. This document must be returned to Rush on request.

Any form of reproduction, dissemination, copying, disclosure, modification, distribution and or publication of this document and the information contained herein is strictly prohibited.

This notice must appear on any complete or partial reproduction of this document or the information contained herein.

Copyright © 2014 Rush Enterprises, Inc. All rights reserved.

ALL DIMENSION TOLERANCES UNLESS NOTED
 ONE PLACE .X ±.06
 TWO PLACES .XX ±.03
 THREE PLACES .XXX ±.010
 FOUR PLACES .XXXX ±.0010
 ALL MACHINED SURFACES TO BE 250 RMS UNLESS NOTED.



DO NOT SCALE THIS PRINT

DRAWN brummm	5/25/2021	MOMENTUM FUEL TECHNOLOGIES 1051 Republic Drive, Suite 200 Roanoke, TX 76262	
CHECKED culbersonc	5/26/2021	TITLE Harness-Chassis Interface, Peterbilt 520 Cab	
QA		SIZE D	DWG NO MP92-1643
MFG		SCALE	REV
APPROVED brummm	5/26/2021		
Part Mass			
		SHEET 2 OF 2	